

Lighting Controls

Preset Slide Dimmer

DATE:	LOCATION:
TYPE:	PROJECT:
CATALOG #:	

FEATURES

- Designed specifically for use with 0–10V LED drivers and fluorescent ballasts
- No power pack required for controlling 0–10V drivers or ballasts
- Linear slide bar for superior quality and dimming performance
- Separate ON/OFF switch and dim bar to preserve preset light level
- Can be used in single-pole or 3-way applications
- Compatible with decorator-style wall plates
- Fits easily into a standard wallbox and is suitable for multi-gang installations



SPECIFICATIONS

ELECTRICAL

- Standard ON/OFF
- Frequency: 60Hz
- Voltage: 120/277VAC
- Load Rating: 10A, 1200VA, 1500VA
- Load Type: 0–10V, 0–10V Fluorescent (120V), 0–10V Fluorescent (277V)
- Switch Type: Single-Pole & 3-Way
- Protection: Radio/TV Filter protection
- Forward Phase 0–10V Control

MOUNTING

- Single-gang NEMA-style switch box (standard wall switch box)
- Decorator-style wall plate not included

OPERATING ENVIRONMENT

- Operating Temperature: 0°C to 55°C
- Storage Temperature: -10°C to 85°C
- Relative Humidity: 20% to 90% Non-Condensing

COLOR

- White with Ivory and Light Almond color change kits included. Additional color change kits sold separately

CERTIFICATIONS

- cCSAus, ISO9001

WARRANTY

- 5 year warranty

ORDERING GUIDE

Example: PSD710–UNV–WVL

CATALOG #

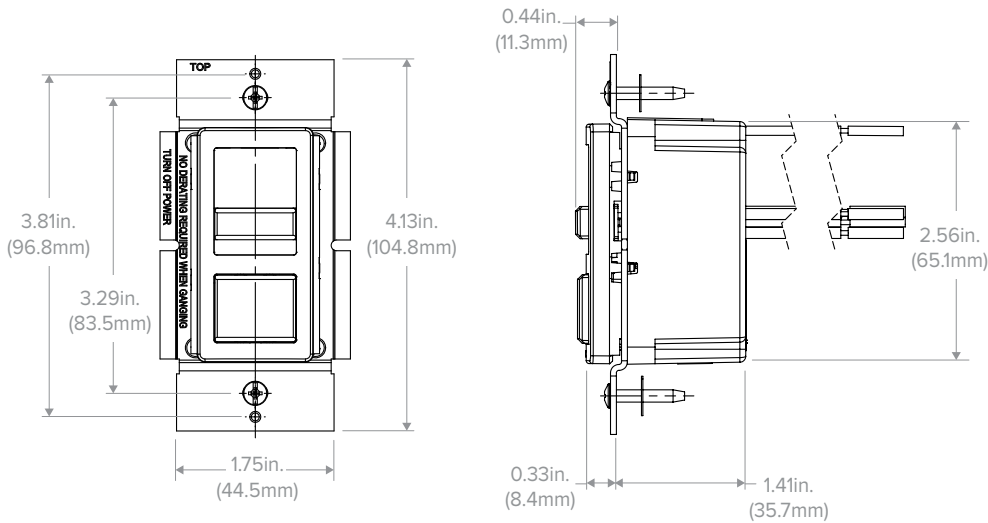
Model	Color
PSD710-UNV Preset Slide Dimmer for 0–10V LED Drivers and Fluorescent Ballasts, Single Pole or 3-Way, 1200–1500VA 120/277VAC	WVL White with Ivory & Light Almond Color Change Kits
COLOR KIT Model	Color
PSDKIT-LL Preset Slide Dimmer Color Change Kit for PSD710 Dimmer	WH White
	IV Ivory
	LA Light Almond
	GY Gray
	BK Black
	BN Brown
	RD Red

Lighting Controls

Preset Slide Dimmer

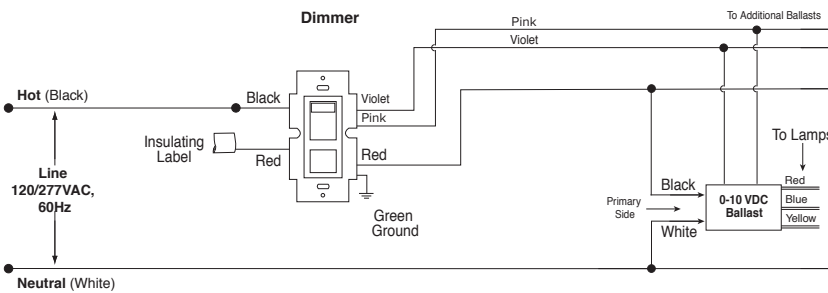
DATE: _____ LOCATION: _____
 TYPE: _____ PROJECT: _____
 CATALOG #: _____

DIMENSIONS

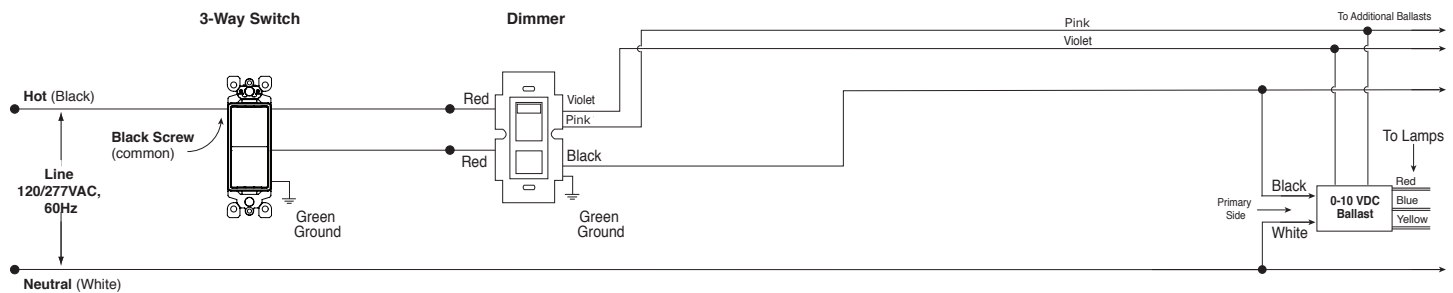


WIRING DIAGRAM

SINGLE LOCATION CONTROL



TWO LOCATION CONTROL



Pink wire replaces previous gray wire. Units with a gray instead of pink wire should be wired as the pink wire shown in the diagram.