

# 285-B4 - TENON REDUCER

## MOUNTING ACCESSORIES

### DESCRIPTION

This tenon reducer fits over a round 4.0" pole to reduce from 4.5" to 2.38"

**WARNING:** To avoid damaging supply wiring, drill all necessary holes in poles, arms, or mounting brackets BEFORE pulling supply wires.

DIMENSIONS & WEIGHT	
Tenon Height	4.25"
Tenon Pipe ID	2.0"
Tenon Pipe OD	2.38" (2" PIPE)
Tenon Reducer ID	5.0"
Tenon Reducer OD	4.59"
Weight	7.5 lbs

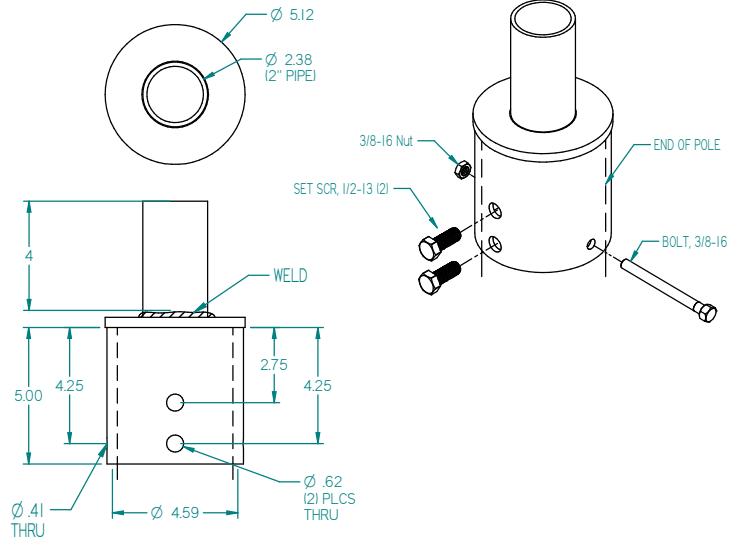


### MOUNTING INSTRUCTIONS

- Place tenon reducer over end of pole.
- In case of missing holes on pole, drill appropriately sized holes at distances referenced in figure on the right.
- Insert bolt through tenon reducer and pole, and secure with nut.
- Install (2) set screws until contact with inner pole.

### STANDARD FINISH COLORS & MATERIAL

- Steel
- Finish Powder Paint



### ORDERING GUIDE

CATALOG #  Example: 285-B-4-LGS

### ORDERING INFORMATION

Series	Color
285-B-4 285-B4 Tenon Reducer	<b>BLT</b> Black Matte Textured <b>BLS</b> Black Gloss Smooth <b>DBT</b> Dark Bronze Matte Textured <b>DBS</b> Dark Bronze Gloss Smooth <b>GTT</b> Graphite Matte Textured <b>LGS</b> Light Grey Gloss Smooth <b>LGT</b> Light Grey Matte Textured <b>PSS</b> Platinum Silver Smooth <b>WHT</b> White Matte Textured <b>WHS</b> White Gloss Smooth <b>VGT</b> Verde Green Textured <b>CC</b> Custom Color

SHIPPING PACKAGE CONTENTS	
Qty	Description
1	285-B-4 Tenon Reducer
1	3/8-16 Bolt
2	1/2-13 Set Screw
1	3/8-16 Nut
Weight	7.5 lbs.