

# NXHNB SERIES

NETWORK BRIDGE MODULE

DATE: \_\_\_\_\_ LOCATION: \_\_\_\_\_

TYPE: \_\_\_\_\_ PROJECT: \_\_\_\_\_

CATALOG #: \_\_\_\_\_

## FEATURES

- NXHNB2 uses standard Cat5 patch cable for plug-in connection to FX Port on Room Controller
- In and out RJ45 connections provided for NX Networked Cat5e cable
- Up to 100m of Cat5 cable between bridges
- Self powered by the NX Network
- Provides high speed communication link with NX Area Controller
- Low voltage device: 12/24VDC



## SPECIFICATIONS

### CONSTRUCTION

- GSM UL Rated 94 HB Plastic
- Plenum rated complies with requirements for use in plenum
- 5.75" L x 3.85" W x 1.30" H
- 3 oz.
- Blue

### MOUNTING

- Mounts directly to a junction box through an extended 1/2" chase nipple, mechanical only, no electrical connection

### ELECTRICAL

- Class 2 Input
- 12 VDC, 100mA
- 24 VDC, 50mA
- Supplied by room controller FX port

### OPERATION

- NX Networked, Ethernet IEEE803i, 10BASE-T, PoE Mode B
- RJ45 Ports
  - FX Port (one)
    - 12/24 volts DC
    - RS485 communication
  - NX Network (two)
    - 24 volts DC
    - Two port Ethernet PoE switch, in- out

### OPERATING ENVIRONMENT

- Operating temperature: 32° to 104°F (0° to 40°C)
- Relative humidity (non-condensing): 0% to 95%

### CERTIFICATIONS

- cUL listed
- California Title 24 compliant
- This product meets federal procurement law requirements under the Buy American Act (FAR 52.225-9) and Trade Agreements Act (FAR 52.225-11). See [Buy America\(n\) Solutions](#).

### WARRANTY

- 5 year limited

# NXHNB SERIES

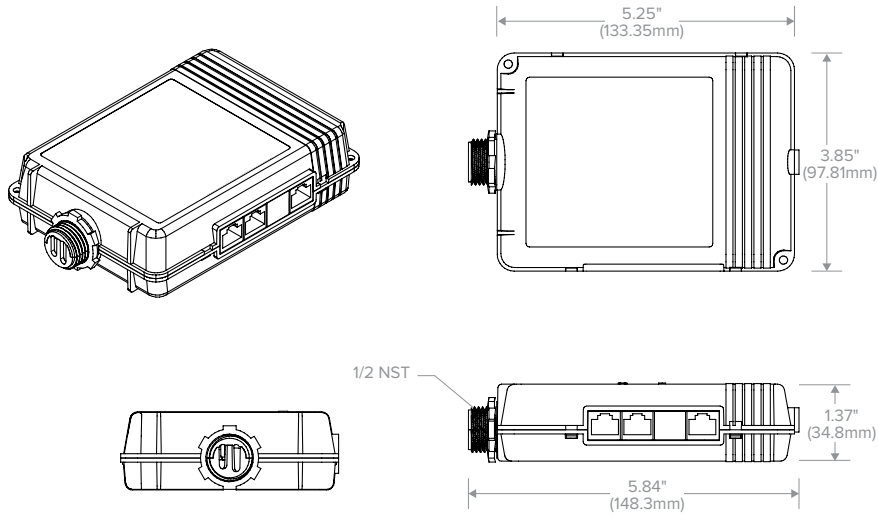
NETWORK BRIDGE MODULE

## ORDERING GUIDE

CATALOG #  Example: NXHNB2-U

<b>NXHNB2</b>	
<b>Model</b>	<b>BAA/TAA*</b>
<b>NXHNB2</b> Bridge module for wired connection between one Room Controller zone and the NX Network	<b>Blank</b> Standard Product * See Buy American Solutions below

## DIMENSIONS



*Buy American Solutions	
BAA	TAA
NXHNB2-U	NXHNB2-T

\* Please see Buy American Solutions table above

## ADDITIONAL INFORMATION

### Wiring Diagram

### NXHNB2 Wired Application

