

Lighting Controls

NXSP SERIES

SMARTPORT™ MODULE

DATE: _____ LOCATION: _____

TYPE: _____ PROJECT: _____

CATALOG #: _____



FEATURES

- Connects to the NX Network through the NXHDI Device Network Interface Module
- Four independent SmartPORT connectors, each with two RJ45 connectors
- Compatible with all NX Smart Switch Stations, NX Occupancy Sensors and NX Daylight Sensor
- Mounts to standard DIN rail
- Low voltage device: 24 VDC
- Five-year limited warranty



SPECIFICATIONS

HOUSING

- 6.27" (158.75 mm) L x 3.65" (92.71mm) W x 1.5" (38.1 mm) H
- 6 oz (170.1g)
- Blue

MOUNTING

- 35mm DIN rail, requires NXENC-D accessory enclosure

ELECTRICAL

- Class 2, 24VDC, 250 mA max current available for connected devices
- Plugs into NXHDI for power and network connection

OPERATING ENVIRONMENT

- Indoor use only, operating temperature 32° to 104° (0° to 40°C) relative humidity, 0% to 95% non-condensing

OPERATION

- Connects to the NX Network through the NXHDI device; Network Interface Module required
- Allows configuration and programming of the attached devices via web browser interface served from the Area Controller
- Capacity: Four SmartPORTs, eight Smart Switches max per port

CERTIFICATIONS

- California Title 24 compliant

WARRANTY

- 5 year limited

Lighting Controls

NXSP SERIES

SMARTPORT™ MODULE

ORDERING GUIDE

Example: NXSP

CATALOG #

Model	
NXSP	SmartPORT module with 4 SmartPORT and 8 RJ45 connectors with DIN rail mounting
NXSP-KIT-01	Unassembled SmartPORT Module kit with required accessories

Required Accessories (Ordered separately if kit not ordered)

CATALOG #

Model	
NXENC-D	NX Accessory enclosure with DIN rail mounting
NXPWRSPLY	Power supply
NXHDI	HubbNET device interface



NXENC-D
(Shown with components mounted)



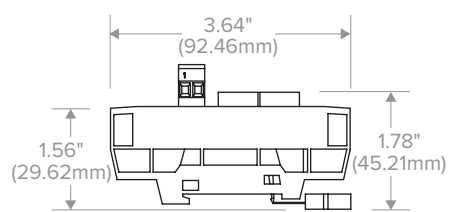
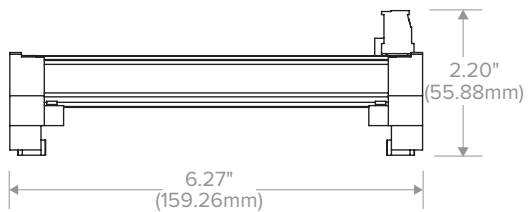
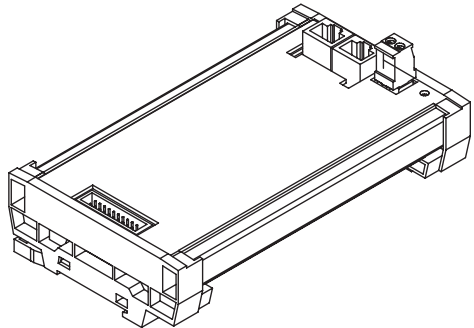
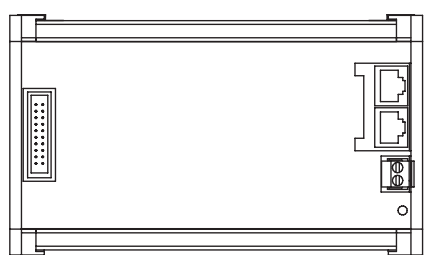
NXHDI

Cat5 System Cables

CATALOG #

Model	
CAT5-3IN-OR-PLENUM	Cat5 Cable for NX SmartPort Devices, Plenum Rated, 3in, Orange
CAT5-3F-OR-PLENUM	Cat5 Cable for NX SmartPort Devices, Plenum Rated, 3ft, Orange
CAT5-10F-OR-PLENUM	Cat5 Cable for NX SmartPort Devices, Plenum Rated, 10ft, Orange
CAT5-25F-OR-PLENUM	Cat5 Cable for NX SmartPort Devices, Plenum Rated, 25ft, Orange
CAT5-50F-OR-PLENUM	Cat5 Cable for NX SmartPort Devices, Plenum Rated, 50ft, Orange
CAT5-100F-OR-PLENUM	Cat5 Cable for NX SmartPort Devices, Plenum Rated, 100ft, Orange

DIMENSIONS



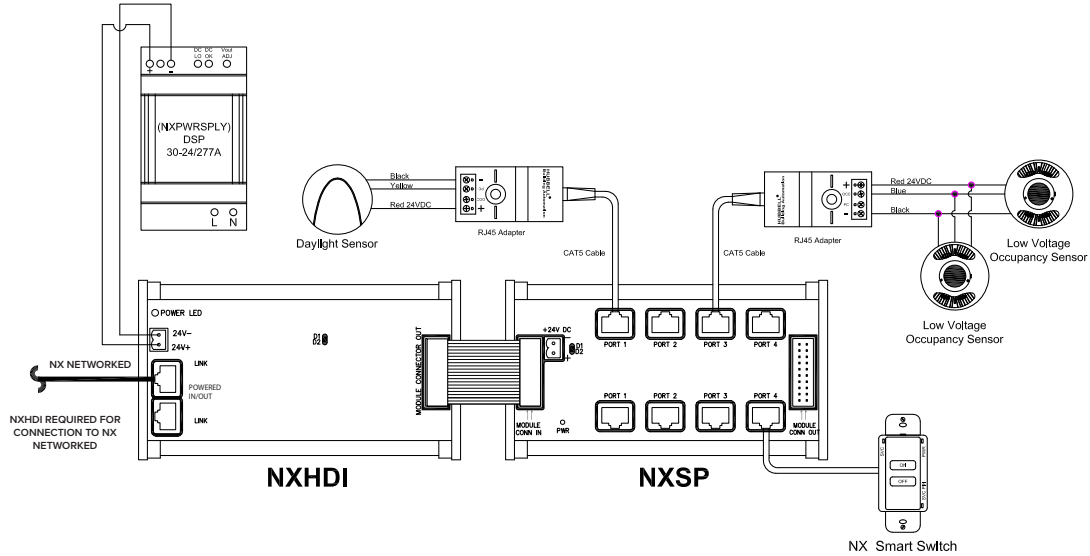
Lighting Controls

NXSP SERIES

SMARTPORT™ MODULE

ADDITIONAL INFORMATION

Wiring Diagram



- Four (4) ports total, each with two (2) RJ45 connectors. Upper and lower RJ45 port connectors are internally connected in parallel
- Maximum power budget per SmartPORT module = 32 Loads
Switch station = 1 Load
PIR only Occupancy sensor = 1 Load
PIR only Occupancy sensor with RP option = 2 Loads
Dual Technology and Ultrasonic Occupancy sensor = 3 Loads
Dual Technology and Ultrasonic Occupancy sensor with RP option = 4 Loads
Daylight Sensor (photocell) = 1 Load
- The entire power budget can be used on one (1) port or distributed across all four (4) ports
- Only one (1) Daylight Sensor is supported per port, four (4) maximum per SmartPORT Module
- Multiple Occupancy Sensors can be connected to a single port, but all will be programmed into a single Zone. The SmartPORT Module supports a maximum of four (4) Occupancy Zones total regardless of the number of Occupancy Sensors connected.
- A maximum of eight (8) Smart Switches can be connected to each port (32 maximum per module) and may share a port with a Daylight Sensor or Occupancy Sensor(s)
- NXPWRSPLY power supply is required for each location if more than one (1) SmartPORT module total is connected to the NX Networked wire