

# Lighting Controls

## NXOS SERIES

CEILING MOUNT OCCUPANCY SENSORS

DATE:	LOCATION:
TYPE:	PROJECT:
CATALOG #:	

### FEATURES

- IntelliDAPT™ self-adaptive technology - no manual adjustment required
- Occupancy or vacancy operation selectable per load when used with the NX Room Controller
- All-digital dual technology Ultrasonic (US) and Passive Infrared (PIR) sensor
- Non-volatile memory for sensor settings
- 500 to 2,000 square-foot coverage area (based on model)
- Plug and play integration with NX Room Controller
- Low voltage device: 24 VDC
- Five-year warranty



### CONTROL TECHNOLOGY



### SPECIFICATIONS

#### CONSTRUCTION

- 5.0 oz. (142g)
- Off-white
- Ø4.0" x1.5" H (Ø 114.3mm x 38.1mm H)
- Casing- rugged, high-impact, injection-molded plastic KJB ABS
- Cicolac (UL-945VA) flame class rating, UV inhibitors
- Color-coded leads are 6" long (152.4 mm)
- Dual-element pyrometer and 12-element cylindrical segmented Fresnel lens, integral filter excludes excess PIR energy from sunlight
- Red LED Lamp - infrared motion
- Green LED Lamp - ultrasonic detection

#### MOUNTING

- Mounting base provided
- Recommended mounting height: 8ft (2.44m) with a max mounting height of 12ft (3.66m)

#### ELECTRICAL

- 24VDC, 33mA (uses NX Room Controller with plenum rated Cat5 Cable, not included)
- OMNIDT500: 40kHz output
- OMNIDT1000 and OMNIDT2000: 32kHz

#### OPERATION

- IntelliDAPT Technology
  - Auto reset from test setting
  - Self-adjusting timer
  - Self-adjusting passive infrared thresholds
  - Automatic false-on/false-off corrections
- Coverage
  - Coverage: 500 - 2,000 square feet (152.4 - 609.6 square meters)
- Timer Settings
  - Automatic mode: 8–30 min. (self-adjusts based on occupancy)
  - Test mode: 8 seconds (for an easy check at installation)
- R Option
  - Relay: N/O + N/C contacts; SPDT; 500 mA rated @ 24VDC; three-wire isolated relay

#### OPERATING ENVIRONMENT

- Indoor use only
- Operating temperature: 32° to 104°F (0° to 40°C)
- Relative humidity (non-condensing): 0% to 95%

#### CERTIFICATIONS

- UL and cUL listed
- California Title 24 compliant
- This product qualifies as both (i) a "domestic construction material" per FAR §52.225-9 Buy American-Construction Materials and a "(COTS) item" per FAR §2.101 and (ii) a "designated country construction material" per FAR 52.225-11 Buy American-Construction Materials under Trade Agreements effective 5/27/2020.
- This product qualifies as "designated country construction material" per FAR 52.225-11 Buy American-Construction Materials under Trade Agreements effective 5/27/2020.

#### WARRANTY

- 5 year limited

# Lighting Controls

## NXOS SERIES

CEILING MOUNT OCCUPANCY SENSORS

DATE: \_\_\_\_\_ LOCATION: \_\_\_\_\_

TYPE: \_\_\_\_\_ PROJECT: \_\_\_\_\_

CATALOG #: \_\_\_\_\_

### ORDERING GUIDE

Example: NXOS-OM-DT2-U

CATALOG #

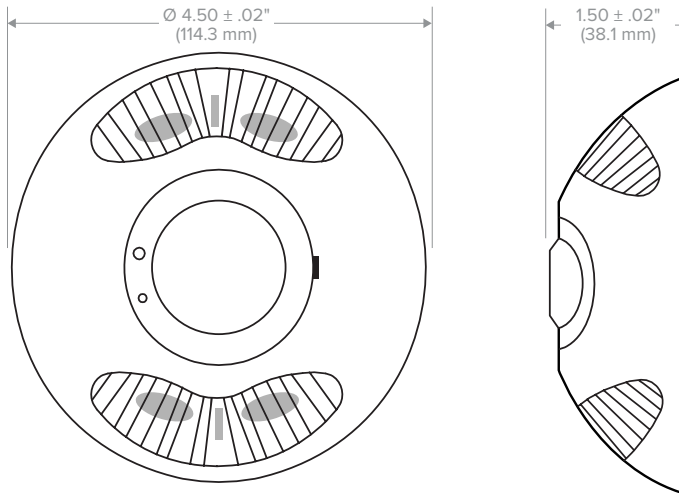
NXOS	OM	Technology - Range	R	BAA/TAA*
Model	Mounting Type		Relay	
NXOS NX Occupancy Sensor	OM Ceiling Mount	<b>DT5</b> Dual Tech, PIR and Ultrasonic, 500 sq ft <b>DT1</b> Dual Tech, PIR and Ultrasonic, 1,000 sq ft <b>DT2</b> Dual Tech, PIR and Ultrasonic, 2,000 sq ft <b>US2</b> Ultrasonic, 2,000 sq ft	<b>R</b> Form C Relay <b>(Blank)</b> No Relay	<b>Blank</b> Standard Product <b>U</b> BAA <b>T</b> TAA

Notes:

- Other sensors may be used with the NX Room Controllers(RJ45 Adapter must be ordered separately with standard Sensors)
- All NXOS sensors include Cat5 adapter, model RJ45ADAPTER

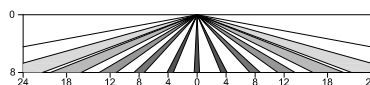
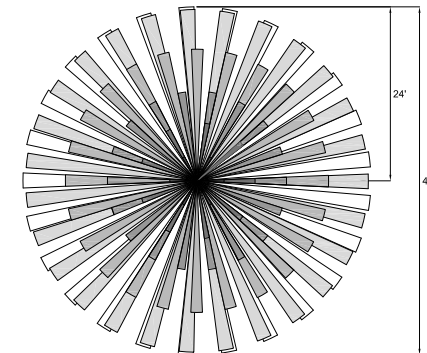
*Buy American Solutions	
BAA	TAA
FAR \$52.225-9	FAR \$52.225-11
NXOS-OMDT2R	
NXOS-OMDT2	

### DIMENSIONS



### ADDITIONAL INFORMATION

#### Coverage Patterns



Sensor Lens Coverage and Detection Patterns  
When Mounted at 8ft with Low Mount Lens

# Lighting Controls

## NXOS SERIES

CEILING MOUNT OCCUPANCY SENSORS

DATE: \_\_\_\_\_ LOCATION: \_\_\_\_\_

TYPE: \_\_\_\_\_ PROJECT: \_\_\_\_\_

CATALOG #: \_\_\_\_\_

### ADDITIONAL INFORMATION (CONTINUED)

#### Coverage Patterns (Continued)

