

Lighting Controls

NXDCIO SERIES

DRY CONTACT INTERFACE MODULE

DATE: _____ LOCATION: _____

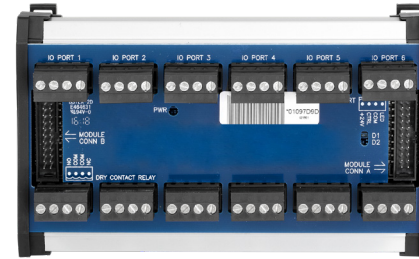
TYPE: _____ PROJECT: _____

CATALOG #: _____



FEATURES

- Programmable from the NX Area Controller
- Six dry contact inputs with pilots
- Accommodates 2 and 3 wire inputs (momentary or maintained)
- Six Form-C dry contact outputs
- Removable terminal blocks for easy connections
- DIN rail mounting in the NX Accessory Enclosure
- Requires the NX Device Network Interface Module for connection to the NX Network
- Five-year limited warranty
- Low voltage device: 24 VDC



SPECIFICATIONS

HOUSING

- 6.27" (158.75 mm) L x 3.64" (92.71mm) W x 2.21" (38.1 mm) H
- 6 oz (170.1g)
- Blue

MOUNTING

- 35mm DIN rail

ELECTRICAL

- Contact Rating: 30V volts max, AC or DC, 0.5 Amps maximum current

ELECTRICAL (CONTINUED)

- Inputs: Six individually programmable dry contact inputs, 2 or 3 wire, momentary or maintained contact, with or without pilots
- Outputs: Six individually programmable dry contact outputs with Form-C contacts

OPERATION

- Requires the NXHDI Device Network Interface Module for network connection
- Programmed from the Area Controller via web browser user interface

CERTIFICATIONS

- California Title 24 compliant

WARRANTY

- 5 year limited

ORDERING GUIDE

CATALOG # **Example:** NXDCIO

| Model | Description |
|---------------|---|
| NXDCIO | NX Dry Contact Interface Module |
| NXDCIO-KIT-01 | Unassembled kit of NXDCIO with required accessories |

Required Accessories (Ordered separately if kit not ordered)

CATALOG #

| Model | Description |
|-----------|---|
| NXENC-D | NX Accessory enclosure with DIN rail mounting |
| NXPWRSPLY | Power supply |
| NXHDI | NX Networked device interface |



NXENC-D
(Shown with components mounted)



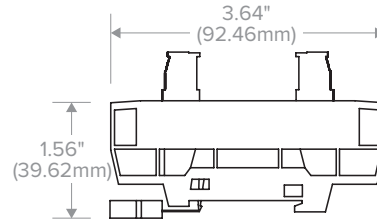
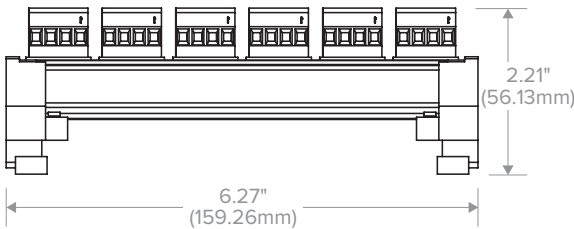
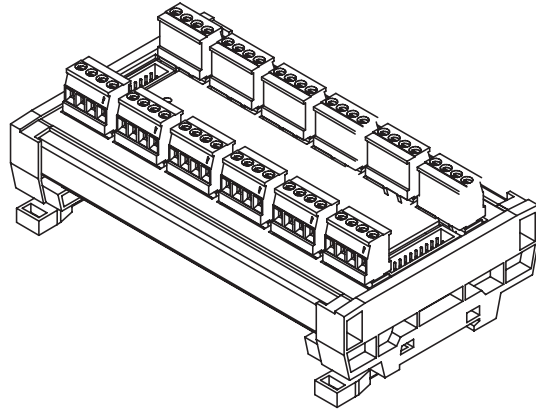
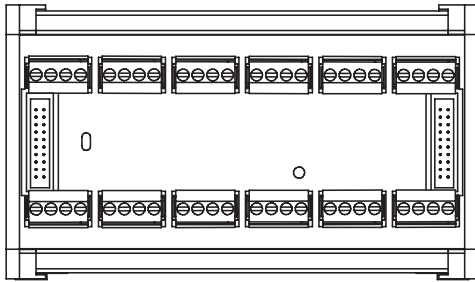
NXHDI

Lighting Controls

NXDCIO SERIES

DRY CONTACT INTERFACE MODULE

DIMENSIONS



ADDITIONAL INFORMATION

Wiring Diagram

