

NXDCO

NX DRY CONTACT OUTPUT MODULE

FEATURES

- Single low voltage dry contact output module for control of third-party devices and systems such as HVAC and shades
- Low voltage form C relay supports normally closed (NC) or normally open (NO) operation
- Two different mode options to choose from – relay mode and 0-10V/CCT dimming mode
- Device configuration through NX Lighting Controls Mobile App and NX Area Controller
- Integral timeclock for ability to run scheduled events
- Connects to SP (SmartPORT) or FX bus
- Five-year limited warranty



SPECIFICATIONS

CONSTRUCTION

- Housing: Rugged injection molded plastic, PC-FR UL 94-5VA flame class rating
- Color: Blue
- Weight: 1.59oz (45g)
- Dimensions: 2.61" (66.29mm) L x 1.53" (38.86mm) W x 0.98" (24.89mm) H

MOUNTING

- Din Rail Mount, Direct Screw Mount, or Single Tie Wrap

ELECTRICAL

- Input:
 - Input Voltage: 12-24VDC supplied by FX or SmartPORT bus
 - Power Consumption: 24mA (3 NX PBUs)

ELECTRICAL (CONTINUED)

- Output:
 - Max 500mA @24VDC/VAC Load (Relay mode)
 - Max 50mA Sink Current (0-10VDC/CCT mode)

OPERATING ENVIRONMENT

- Rated for indoor use only
- Operating Temperature: 32° to 104°F (0° to 40°C)
- Relative Humidity (non-condensing) 0% to 90%

PROGRAMMING INTERFACE

- NX Lighting Controls Mobile App
- NX Area Controller (NXAC2) for Network Applications

CERTIFICATIONS

- cULus Listed
- UL2043 Plenum Rated

WARRANTY

- 5-year limited warranty
- See website for additional information

ORDERING GUIDE

Example: NXDCO

CATALOG #

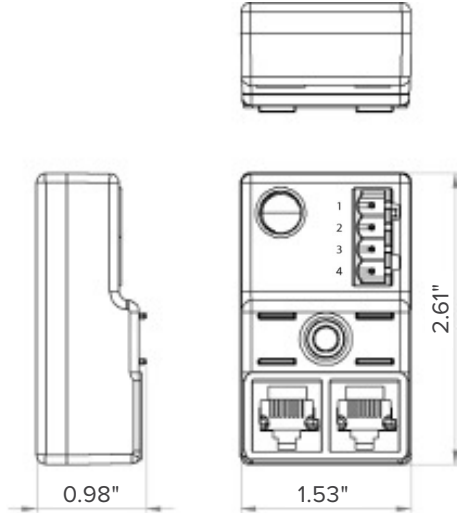
Model

NXDCO NX Dry Contact Output Module

NXDCO

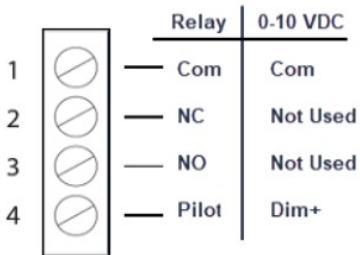
NX DRY CONTACT OUTPUT MODULE

DIMENSIONS

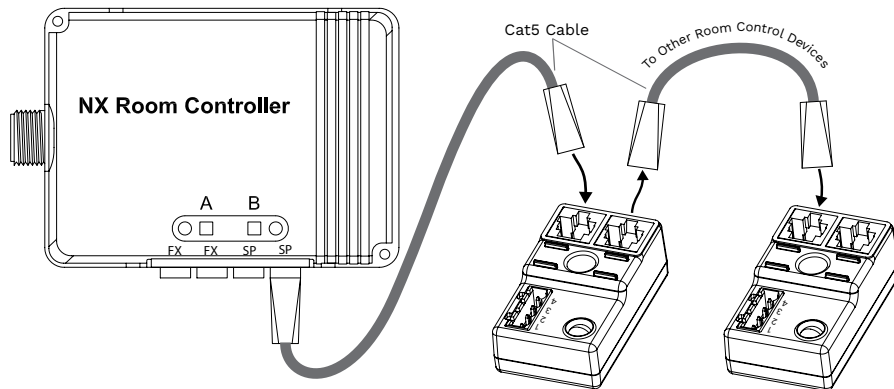


ADDITIONAL INFORMATION

TERMINAL HEADER DIAGRAM



WIRING DIAGRAM



NXDCO with NXRCFX Room Controller