



Project Name _____

Catalog No. _____ Date _____

The NXHDI Device Network Interface Module is a necessary component in deploying distributed control components on a NX Network. The NXHDI provides the network connection and power to accessory components such as the NXDCIO Dry Contact Interface and NXSP SmartPORT™ Modules. Dual RJ45 NX Networked input and output jacks on the module allow the NXHDI to be inserted anywhere along the NX network infrastructure as needed.

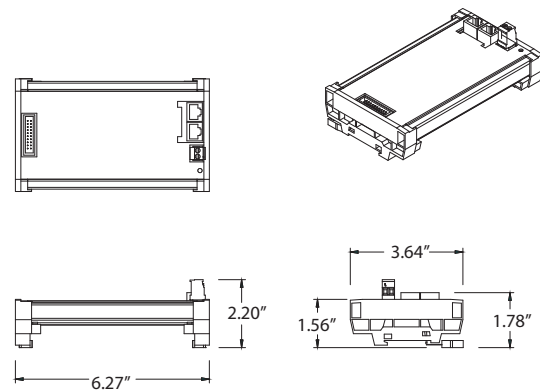
Product Features

- Allows connection of multiple accessory modules in series
- Discovered as a control device and with visibility in the Area Controller GUI
- Repeats communication signal to extend network length
- Integral link indicators confirm network segment status
- Ribbon cable connection to accessory modules provided
- Power LED indicator confirms presence of accessory DC power on NX Networked segment
- DIN rail mounting in the NX Accessory Enclosure
- Five year limited warranty
- Low voltage device: 24 VDC

Compliance and Certification



Dimensional Data



Ordering Information

NXHDI	
MODEL	
NXHDI	NX Device Network Interface Module, required for connection to NX Network

Additional Required Components

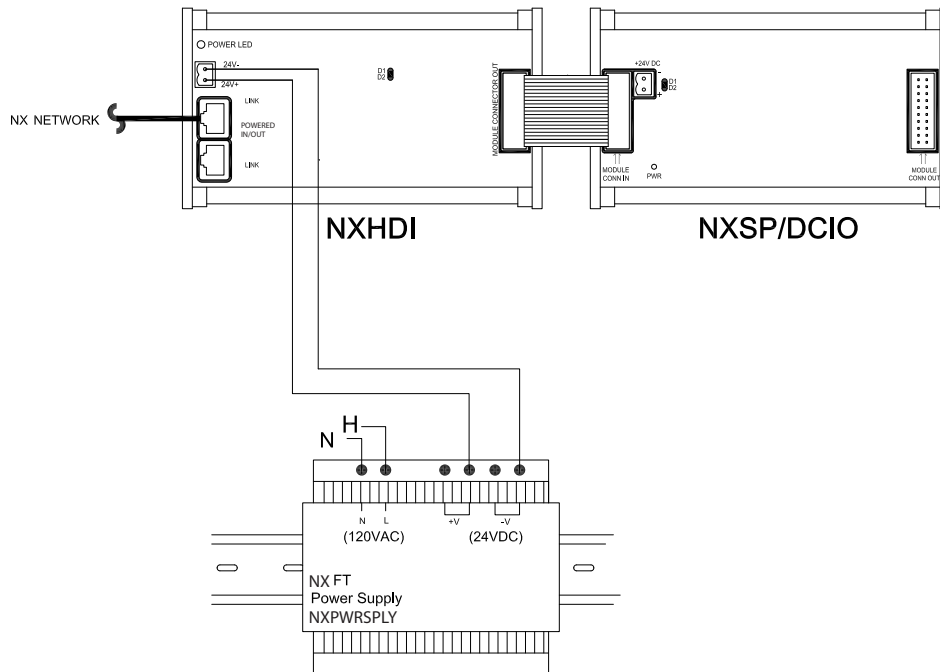
MODEL	
NXENC-D	NX Accessory enclosure with DIN rail mounting
NXPWRSPLY	Power supply



NXENC-D
Shown with components mounted

Wiring Information

- NXHDI REQUIRED FOR CONNECTION TO NX NETWORK



General Specifications

Network Interface	Ethernet 10 base-T via NX Networked cable, integral 2-port ethernet hub
Input Power	24VDC, 800mA max current via NX Networked cable
Output Power	24VDC power supplied to connected accessory modules
Housing	Extruded and sheet aluminum
Operating Environment	Indoor use only, operating temperature 32°F to 104°F (0°C to 40°C) relative humidity, 0% to 95% non condensing
Dimensions	6.25" (158.75 mm) L x 3.65" (92.71mm) W x 1.5" (38.1 mm) H
Weight	6 oz (170.1g)
Mounting	1.38" (35mm) DIN rail, requires NXENC-D accessory enclosure
Warranty	Five-year limited warranty