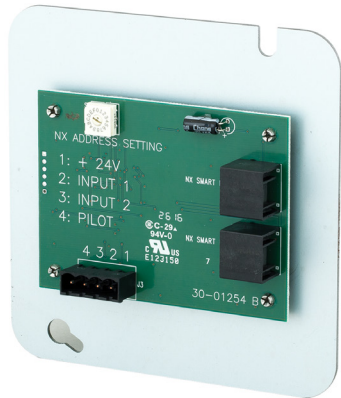




Project Name _____

Catalog No. _____ Date _____

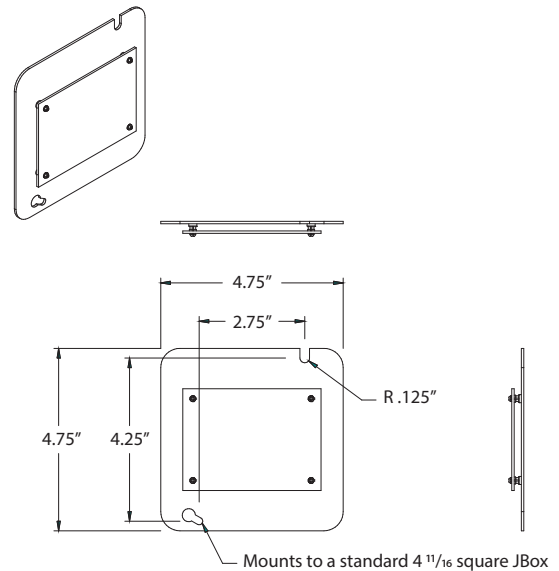


The NX Contact Closure Interface allows third party devices to provide dry contact inputs to an NX Lighting Controls system. The NXCI provides functionality similar to the NXSW switches except that actuation uses contact closures from external devices such as key switches, AV systems, photo-eye sensors or other low voltage Class 2 devices. The NXCI defaults to On/Off operation but can be programmed to perform alternate functions using the NX App or NXAC Area Controller.

Product Features

- Mounts to standard 4 1/16" junction box, Raco #257 or similar (not supplied)
- Removable terminal block for input connection
- Connects to and is powered by NXSP SmartPORT™
- Functions include: On/Off (standard), toggle On/Off, preset, raise, lower, timed On
- Pilot light output terminals
- Low voltage device: 24 VDC

Dimensional Data



Ordering Information

NXCI

MODEL

NXCI NX Contact Closure Interface Module

Terminal Block Detail

