



Project Name _____

Catalog No. _____ Date _____

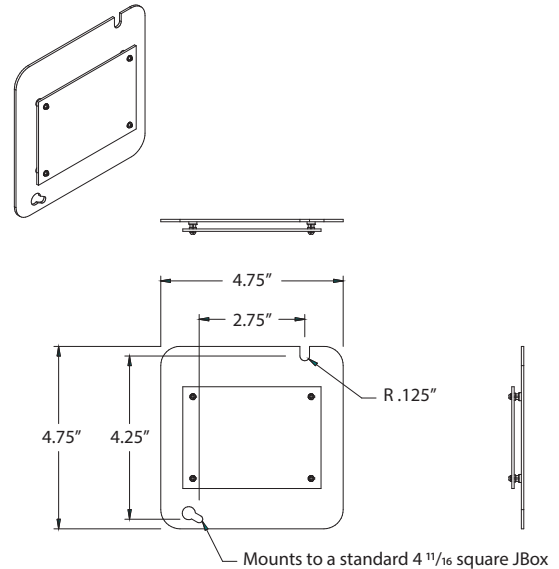


The NX Audio Visual Interface Module allows third party systems to digitally interface with an NX Lighting Controls system. A simple ASCII based command set is used to interface with third party systems such as Audio Visual systems to send commands to NX lighting controls as well as query status. The NXAVM supports RS232 serial communications, providing control and status for a single zone.

Product Features

- Mounts to standard 4 11/16" junction box, Raco #257 or similar (not supplied)
- Connects to and is powered by NX SmartPORT™ with CAT5 cable
- Class 2 device, self powered from SmartPORT connection
- DB9 connector for RS232 serial communication
- Simple ASCII based command set

Dimensional Data



Ordering Information

| |
|-------|
| NXAVM |
| MODEL |

NXAVM NX Audio Visual Interface Module

ASCII Command Set

| | |
|---------------------------|---|
| Set Group State | set,group,[group_number],state,[state]<cr><lf> |
| Get Group State | get,group,[group_number],state<cr><lf> |
| Set Group Level | set,group,[group_number],level,[level],ramp,[ramp_rate]<cr><lf> |
| Get Group Level | get,group,[group_number],level<cr><lf> |
| Activate a Preset Scene | set,preset,[preset_number]<cr><lf> |
| Get Current Active Preset | get,preset<cr><lf> |