



Project Name \_\_\_\_\_

Catalog No. \_\_\_\_\_ Date \_\_\_\_\_



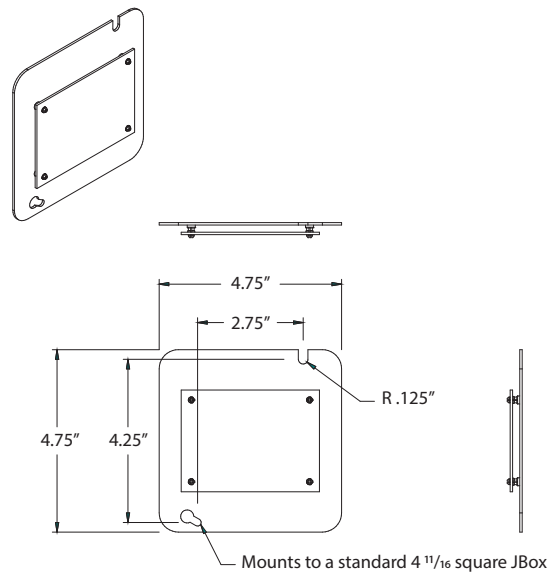
The NX Occupancy Output Interface provides a means to communicate the occupancy state of an NX lighting control zone to HVAC or other systems using simple contact closure. The NXRO connects to the SmartPORT™ and provides the aggregate occupancy state of the zone as reported by one or more occupancy sensors.

### Product Features

- Mounts to standard 4 1/16" junction box, Raco #257 or similar
- Removable terminal bloc for input connection
- Connects to and is powered by NX SmartPORT
- Supports multiple occupancy sensors in the zone
- Low voltage Form C output relay supports NC and NO operation
- Low voltage device: 24 VDC

### Dimensional Data

#### Dimensions



### Ordering Information

NXRO
MODEL
NXRO NX Occupancy Output Interface

#### Terminal Block Detail

