



Project Name _____

Catalog No. _____ Date _____

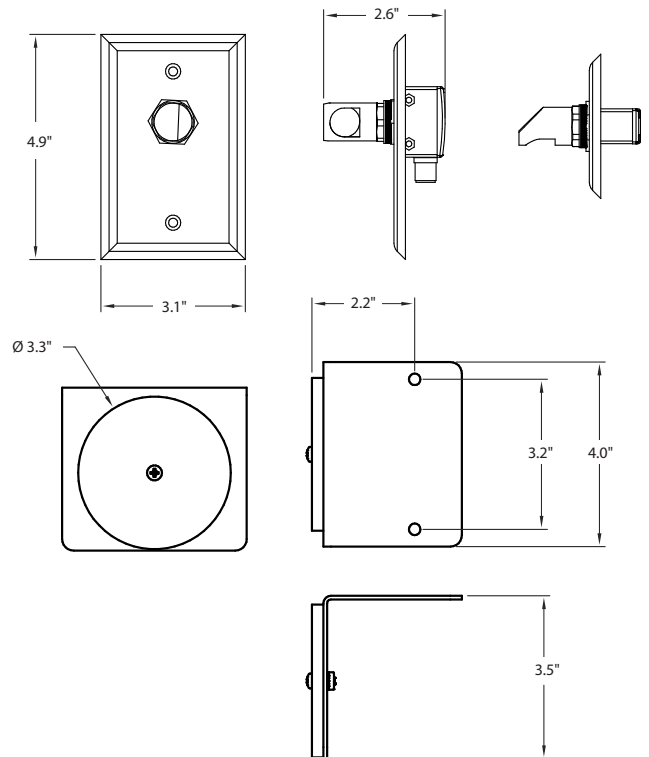


The NXWPS Wall Partition Sensor automatically indicates to the NX Lighting Controls system when a movable partition has been opened or closed. This allows the two adjacent rooms to effectively be combined or separated into individual rooms. The NX controls automatically reconfigure to operate in unison when rooms are combined. Conversely, the NX controls automatically reconfigure to operate independently when the rooms are separated. The NX system allows for room combine scenarios with up to 16 combinable rooms.

Product Features

- Automatically signals open/closed partition state to NX system
- Only one sensor required per partition
- Connects to NXCI contact closure module with supplied cable
- Class 2 low voltage operation
- Five year limited warranty

Dimensional Data



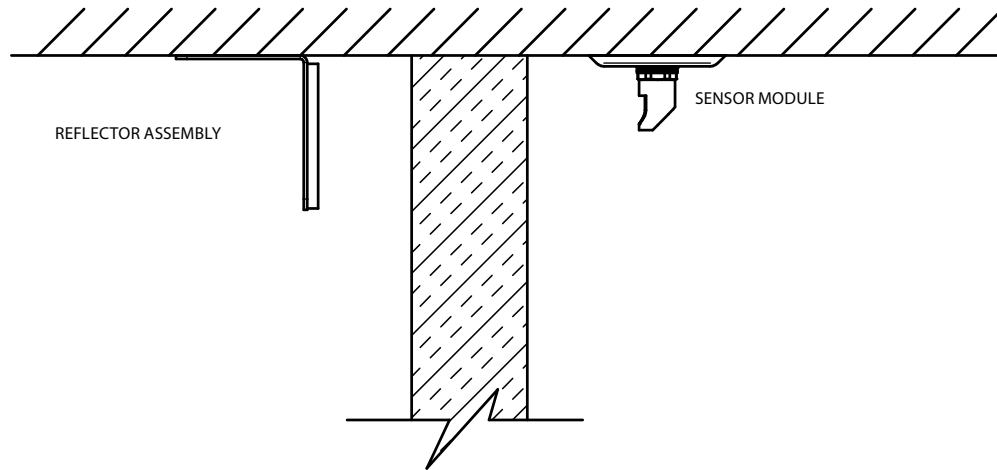
Ordering Information

NXWPS	
MODEL	
NXWPS	Wall position sensor module, with reflector

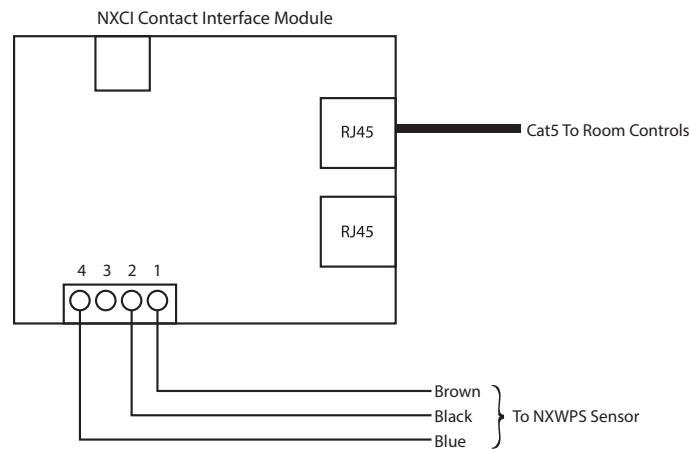
Ordering Information

NXCI	
MODEL	
NXCI	Contact closure input module

Mounting Detail



Wiring Diagrams



General Specifications

Input Voltage	24VDC supplied by NXCI SmartPORT
Output Voltage	24VDC
Sensing Method	Polarized retroreflective
Max. Sensing Range	4m
Operating Frequency	1 kHz
Environmental	IP67