

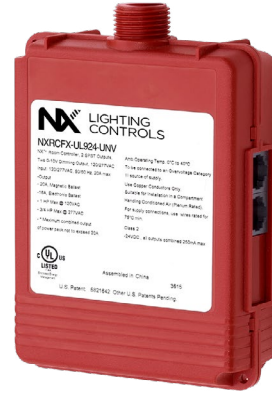
NXRCFX SERIES

UL924 LOAD CONTROLLER

DATE:	LOCATION:
TYPE:	PROJECT:
CATALOG #:	

FEATURES

- UL924 Listed emergency lighting control device
- Single relay version with dual 0-10V interface for full range dimming control
- Automatically overrides lighting to emergency state upon loss of normal power
- Utilizes CAT5 connection to standard NX room controller for normal power sensing
- Full range continuous dimming defaults to full ON in emergency mode
- FX bus enabled and compatible with NXRCFX room controllers
- Provision for remote test button or fire alarm interface
- Advanced configuration, power metering, and control through either NX Area Controller or NX Lighting Controls mobile app



CONTROL TECHNOLOGY



SPECIFICATIONS

CONSTRUCTION

- Housing: GSM UL Rated 94 HB Plastic
- Red
- 4oz (113.4g)
- 5.75" (146.05MM) L x 3.85" (97.9MM) W x 1.30" (33.02MM) H
- Complies with requirements for use in a plenum area
- Plenum rated for external junction box mounting

MOUNTING

- Mounts directly to an external junction box through extended 1/2" chase nipple

ELECTRICAL

- Input
 - 120/277/347VAC, 20A MAX, 50/60HZ
 - Single feed connection
- Output*
 - 20A, Tungsten, 120VAC Only
 - 20A, Magnetic Ballast
 - 16A, Electronic Ballast
 - 1H.P. Motor @120VAC; 3/4 H.P. @277VAC; 1/2H.P. @347VAC
- Low Voltage Ports
 - Class 2

ELECTRICAL (CONTINUED)

- Low Voltage Ports (Continued)
 - 24VDC, Used as sensing line for normal power from standard Room Controller
 - RS485 digital communication
- Standby Power (W)
 - 120VAC: 1.2W
 - 277VAC: 1.5W
 - 347VAC: 1.5W
- Dimming
 - Class 2/Class 1
 - Installation as Class 1 requires 600V insulation on dimming conductors sharing a conduit with line voltage conductors
- Power Metering
 - NXRCFX devices are factory calibrated to provide power metering accuracy of +/- 5% (Rating assumes standard load within specified voltage and temperature rating for NXRCFX; all values provided in Watts)

OPERATING ENVIRONMENT

- Operating temperature: 32° to 104°F (0° to 40°C)
- Relative humidity (non-condensing): 0% to 90%

CERTIFICATIONS

- Conforms with UL916, UL924 and Certified to CAN/CSSA C22.2 No. 205-M1983
- IC Approved
- Title 24 compliant
- This product meets federal procurement law requirements under the Buy American Act (FAR 52.225-9) and Trade Agreements Act (FAR 52.225-11). See [Buy America\(n\) Solutions.](#)

WARRANTY

- 5 year limited warranty

NXRCFX SERIES

UL924 LOAD CONTROLLER

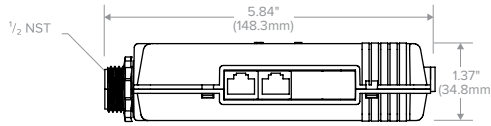
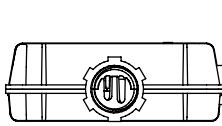
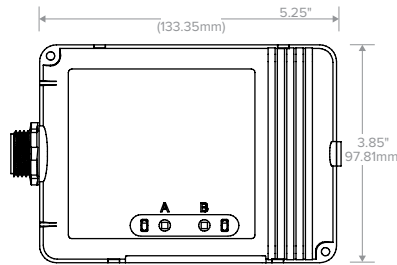
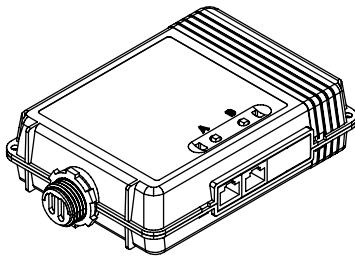
ORDERING GUIDE

Example: NXRCFX-UL924-UNV

CATALOG #

NXRCFX-UL924	UNV	BAA/TAA*
Model	Voltage	BAA/TAA*
NXRCFX-UL924 NX Emergency Lighting Load Controller, one single pole relay, one 0 - 10 dimmer, one color control channel	UNV 120/277/347VAC	Blank Standard Product * See Buy American Solutions below

DIMENSIONS



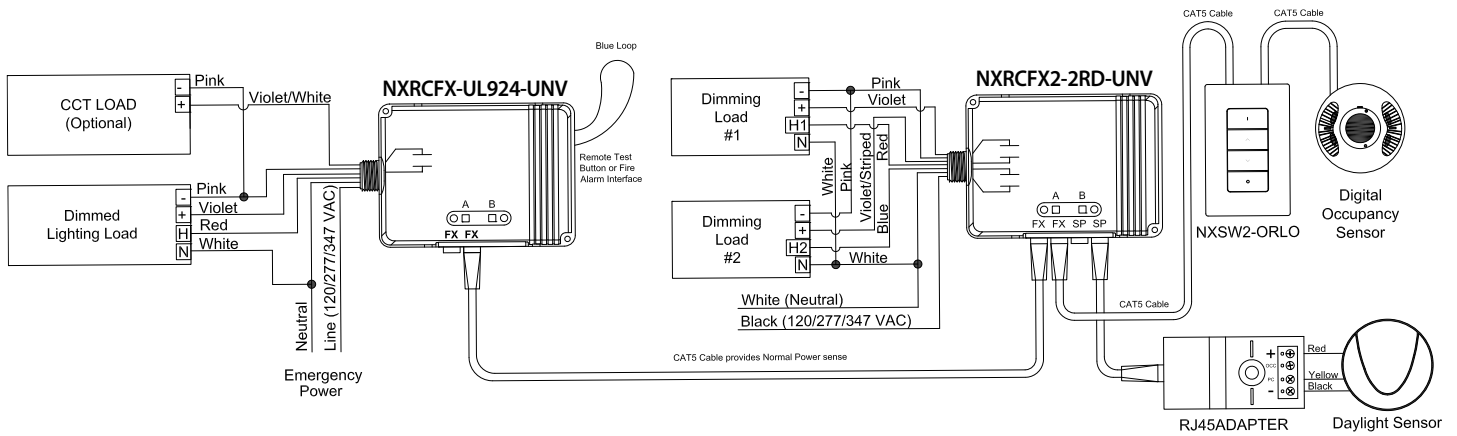
*Buy American Solutions
BAA
NXRC-UL924-UNV-U

Notes:

1 * Please see Buy American Solutions table above

ADDITIONAL INFORMATION

Wiring Diagrams



NX Room Controller (Typical)

Pink wire replaces previous gray wire. Units with a gray instead of pink wire should be wired as the pink wire shown in the diagram.