

# NXSMP2 Series

HIGH MOUNT INDOOR & OUTDOOR SENSOR - HMO

## FEATURES

- Low profile architectural sensor that complement luminaire aesthetics
- Integrated 2.4GHz Wireless Mesh and Bluetooth for easy commissioning and communication
- PIR motion sensor for automatic On/Off control
- Integrated Hybrid Daylight Sensor for daylight harvesting
- Device configuration through NX Lighting Controls Mobile App
- Intelliscope enabled providing real time visibility of motion for improved accuracy of sensor sensitivity and time delay adjustments
- Simple plug-and-play connection to NX In-Fixture Modules
- IP65 rated for both indoor and outdoor use
- Optional aisle lens version
- Five-year limited warranty



## SPECIFICATIONS

### CONSTRUCTION

- Housing: ABS (UL-945VA) Flame Class Rating, UV Inhibitors
- Color: White, Gray, Black
- 3.2oz (90.7g)
- Overall Dimensions: 1.87" (47.50mm) H x 3.48" (88.39mm) W
- Mounting Barrel: 1.31" (33.27mm) H x 1.4" (35.56mm) W
- Complies for use in a plenum area
- IP65 Rated for Indoor and Outdoor use

### MOUNTING

- Mounts directly in 1.5" diameter aperture, secured by supplied nut on threaded housing
- Recommended Max Outdoor Mounting Height: 40 ft. (12.19m)
- Recommended Max Indoor Mounting Height: 45 ft. (13.72m)

### ELECTRICAL

- Input
- Input Voltage: 12-24VDC supplied by NXFM2 (NX Fixture Module)
  - Power Consumption: 30mA
  - Wiring: Uses NXCBL-XX

### ELECTRICAL (CONTINUED)

Standby Power (W)

- 120VAC: 0.1W
- 277VAC: 0.1W
- 347VAC: 0.2W

### OPERATING ENVIRONMENT

- Rated for Indoor and Outdoor Use
- Operating temperature: -40°F to 185°F (-40°C to 85°C)
- Relative humidity (non-condensing) 0% to 95%

### WIRELESS

- 2.4GHz: IEEE 802.15.1 based
- Bluetooth® Version V5.2

### SENSOR

- Detection Technology: Passive Infrared Sensor
- 1:1.4 Coverage Pattern (mounting height: coverage radius)
- Max Outdoor Mounting Height 40ft
- Max Indoor Mounting Height 45ft
- LED Indicator (Red) indicates occupancy detection

### PROGRAMMING INTERFACE

- NX Lighting Controls Mobile App
- NX Area Controller (NXAC) for Network Applications

### CERTIFICATIONS

- cULus Listed
- Complies with FCC Part 15.247
  - FCC ID: YH9NXSMP2
  - IC: 9044A-NXSMP2

### WARRANTY

- 5 year limited warranty
- See [HCS Standard Warranty](#) for additional information

# NXSMP2 Series

HIGH MOUNT INDOOR &amp; OUTDOOR SENSOR - HMO

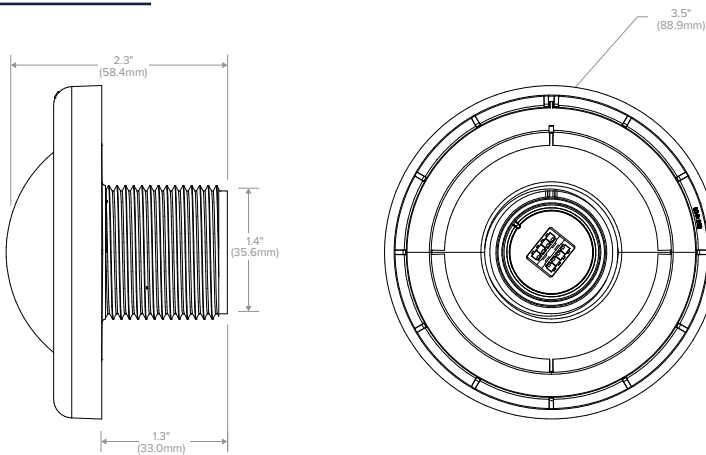
## ORDERING GUIDE

**Example: NXSMP2-HMO**

 CATALOG # 

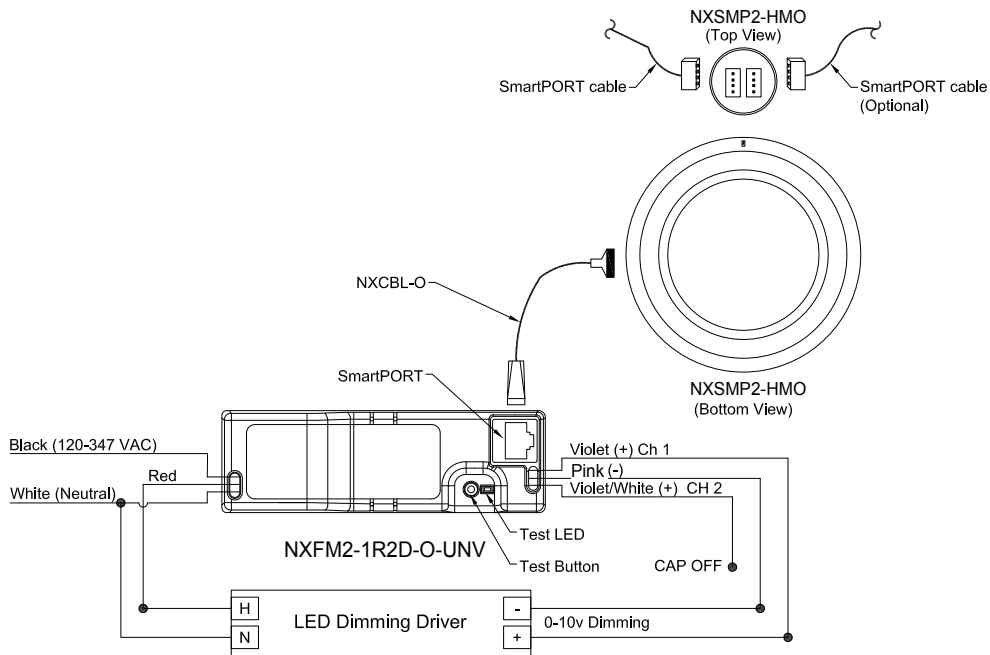
NXSMP2		Sensor Type	Color
<b>Model</b>			
NXSMP2	NX Digital Smart Sensor Gen 2 with Integrated Wireless, PIR and Daylight Harvesting	<b>HMO</b> High Mount Indoor/Outdoor Sensor <b>HMO-A</b> High Mount Indoor/Outdoor w/ Aisle Lens	<b>Blank</b> White <b>BK</b> Black <b>GY</b> Gray

## DIMENSIONS



## ADDITIONAL INFORMATION

### Wiring Diagrams



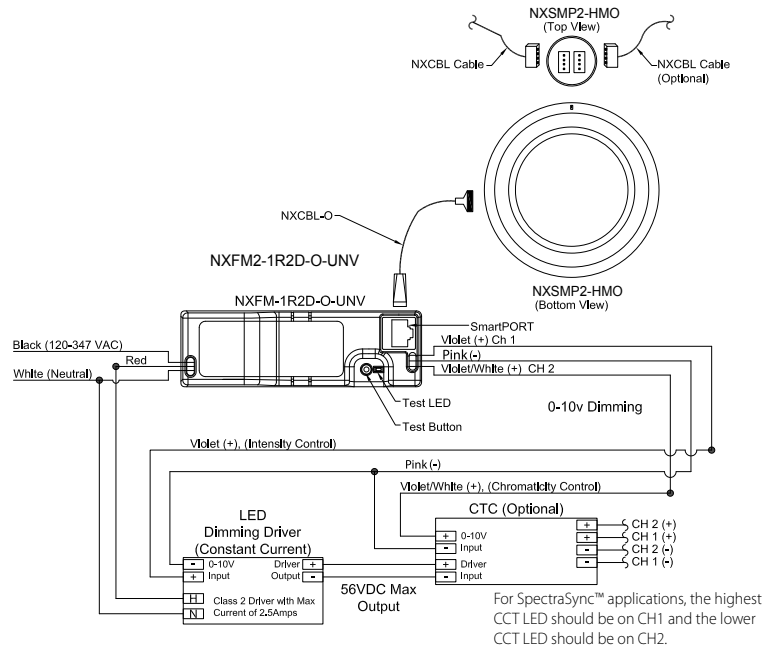
Pink wire replace previous gray wire. Unit with a gray instead of pink wire should be wired as the pink wire shown in the diagram.

# NXSMP2 Series

HIGH MOUNT INDOOR & OUTDOOR SENSOR - HMO

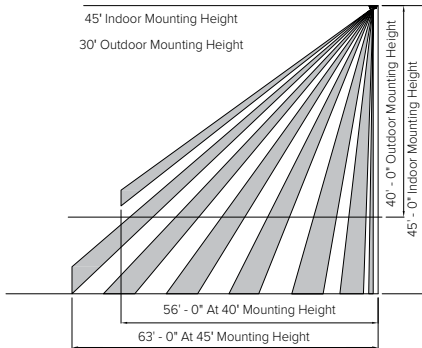
## ADDITIONAL INFORMATION (CONTINUED)

### Wiring Diagrams (Continued)

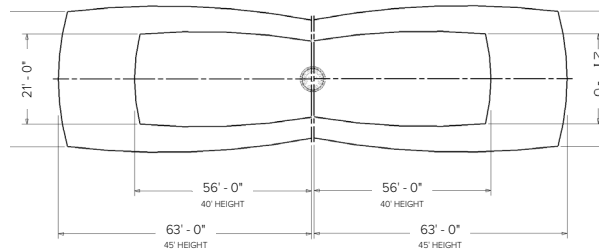


Pink wire replace previous gray wire. Unit with a gray instead of pink wire should be wired as the pink wire shown in the diagram.

### Coverage Pattern



Sensor Lens Coverage and Detection Patterns When Mounted at 40ft and 45ft with Standard Lens



Sensor Lens Coverage and Detection Patterns When Mounted at 40ft and 45ft with Aisle Lens (Top Down View)

### Default Settings

Occupancy Sensor	Enabled
Occupancy Sensor Sensitivity	7
Occupancy Sensor Timeout	15 Minutes
Occupied Dim Level	100%
Unoccupied Dim Level	0%
Daylight Sensor	Disabled
Bluetooth	Enabled
2.4GHz Wireless Mesh	Off
Passcode	Enabled (Factory Passcode: HubbN3T!)