

NXSMP2 Series

LOW MOUNT INDOOR & OUTDOOR SENSOR - LMO

FEATURES

- Low profile architectural sensor that complement luminaire aesthetics
- Integrated 2.4GHz Wireless Mesh and Bluetooth for easy commissioning and communication
- PIR motion sensor for automatic On/Off control
- Integrated Hybrid Daylight Sensor for daylight harvesting
- Device configuration through NX Lighting Controls Mobile App
- Intelliscope enabled providing real time visibility of motion for improved accuracy of sensor sensitivity and time delay adjustments
- Simple plug-and-play connection to NX In-Fixture Modules
- IP65 rated for both indoor and outdoor use
- Optional aisle lens version
- Five-year limited warranty



NXSMP2-LMO

NXSMP2-LMO-A



SPECIFICATIONS

CONSTRUCTION

- Housing: ABS (UL-945VA) Flame Class Rating, UV Inhibitors
- Color: White, Gray, Black
- 3.2oz (90.7g)
- Overall Dimensions: 1.87" (47.50mm) H x 3.48" (88.39mm) W
- Mounting Barrel: 1.31" (33.27mm) H x 1.4" (35.56mm) W
- Complies for use in a plenum area
- IP65 Rated for Indoor and Outdoor use

MOUNTING

- Mounts directly in 1.5" diameter aperture, secured by supplied nut on threaded housing
- Recommended Max Mounting Height: 16 ft. (4.27m)
- Recommended Max Mounting Height: 8 ft. (2.43m)

ELECTRICAL

- Input
- Input Voltage: 12-24VDC supplied by NXFM2 (NX Fixture Module)
 - Power Consumption: 24mA
 - NX PBU: 3

ELECTRICAL (CONTINUED)

Standby Power (W)

- 120VAC: 0.1W
- 277VAC: 0.1W
- 347VAC: 0.2W

OPERATING ENVIRONMENT

- Rated for Indoor and Outdoor Use
- Operating temperature: -40°F to 185°F (-40°C to 85°C)
- Relative humidity (non-condensing) 0% to 95%

WIRELESS

- 2.4GHz: IEEE 802.15.4
- Range: Indoor ~100ft (30m) Note: actual range is dependent upon building construction and radio location
- Range: Outdoor ~300ft (91m) Note: Range based on Clear Line of Sight
- Recommended Deployment Practices: Locate three radios within a 300 foot radius for most reliable performance
- Bluetooth® Version 5.2 (Range: Up to 50ft – Clear Line of Sight)

SENSOR

- Detection Technology: Passive Infrared Sensor
- 1:3 Coverage Pattern (mounting height: coverage radius)
- Max Mounting Height 16ft
- LED Indicator (Red) indicates occupancy detection

PROGRAMMING INTERFACE

- NX Lighting Controls Mobile App
- NX Area Controller (NXAC) for Network Applications

CERTIFICATIONS

- cULus Listed
- Complies with FCC Part 15.247
 - FCC ID: YH9NXSMP2
 - IC: 9044A-NXSMP2

WARRANTY

- 5 year limited warranty

NXSMP2 Series

LOW MOUNT INDOOR & OUTDOOR SENSOR - LMO

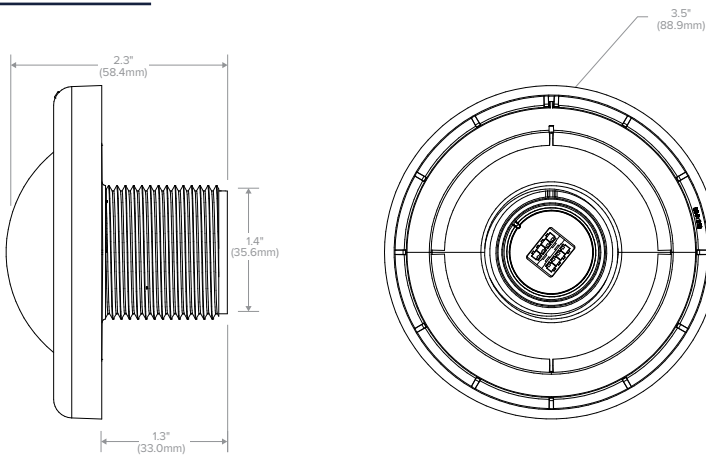
ORDERING GUIDE

Example: NXSMP2-LMO

CATALOG #

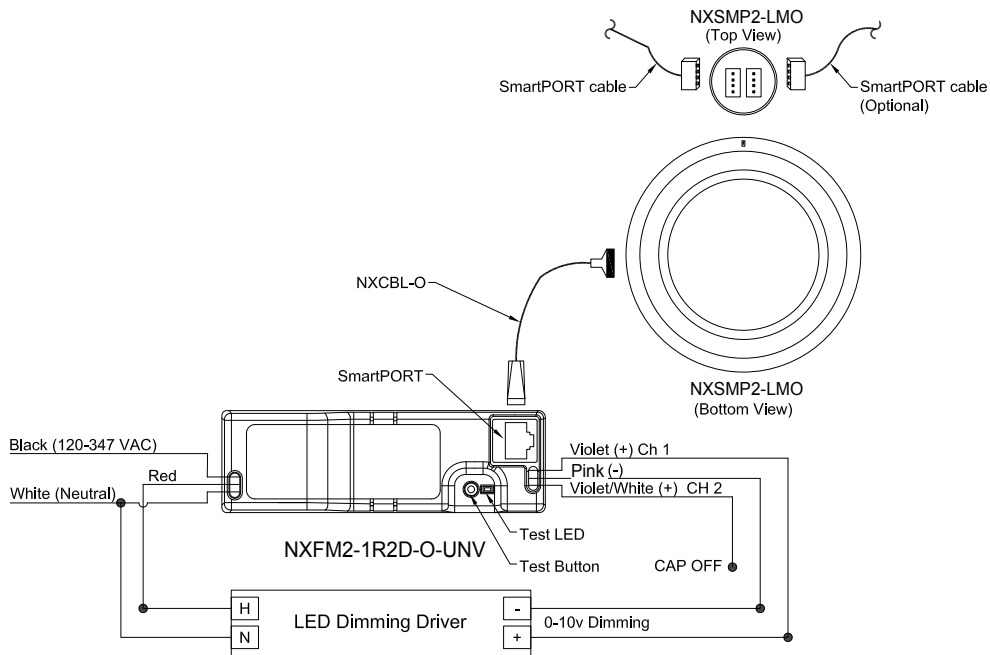
NXSMP2		Sensor Type		Color	
Model		LMO	Low Mount Indoor/Outdoor Sensor	Blank	White
NXSMP2	NX Digital Smart Sensor Gen 2 with Integrated Wireless, PIR and Daylight Harvesting	LMO-A	Low Mount Indoor/Outdoor w/ Aisle Lens	BK	Black
				GY	Gray

DIMENSIONS



ADDITIONAL INFORMATION

Wiring Diagrams



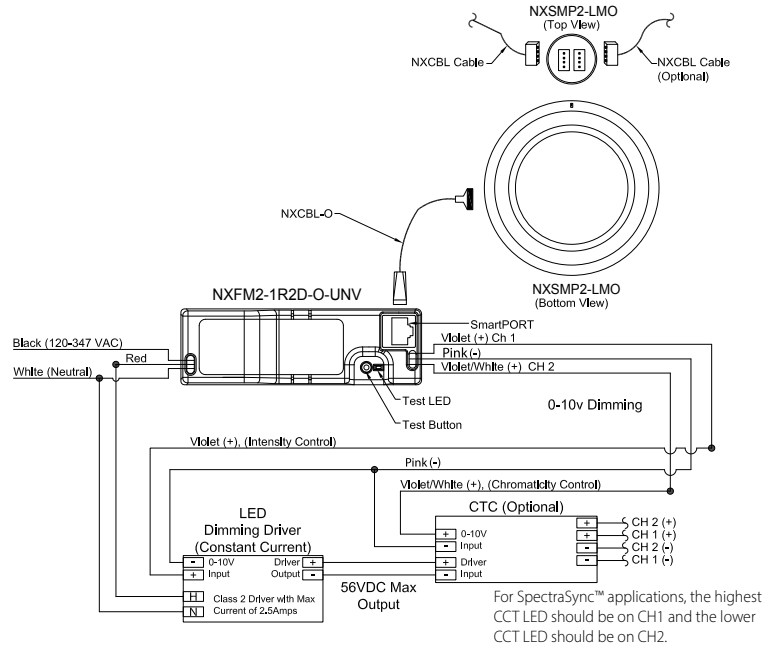
Pink wire replace previous gray wire. Unit with a gray instead of pink wire should be wired as the pink wire shown in the diagram.

NXSMP2 Series

LOW MOUNT INDOOR & OUTDOOR SENSOR - LMO

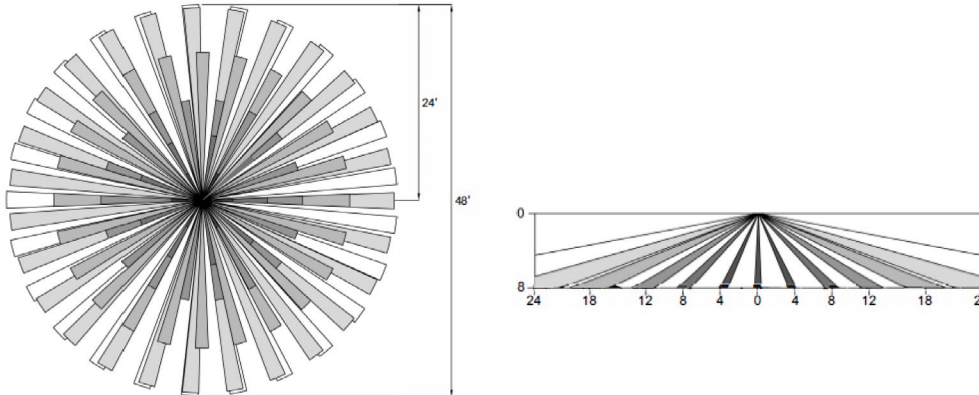
ADDITIONAL INFORMATION (CONTINUED)

Wiring Diagrams (Continued)



Pink wire replace previous gray wire. Unit with a gray instead of pink wire should be wired as the pink wire shown in the diagram.

Coverage Pattern



Default Settings

Occupancy Sensor	Enabled
Occupancy Sensor Sensitivity	7
Occupancy Sensor Timeout	15 Minutes
Occupied Dim Level	100%
Unoccupied Dim Level	0%
Daylight Sensor	Disabled
Bluetooth	Enabled
2.4GHz Wireless Mesh	Off
Passcode	Enabled (Factory Passcode: HubbN3T!)