



# NXSMP2 Series

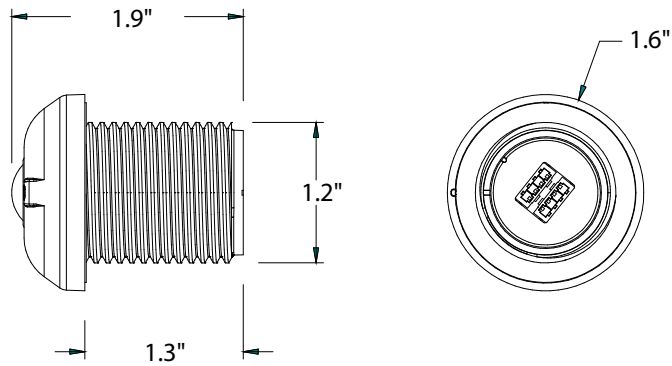
LOW MOUNT INDOOR SENSOR - LMI

## ORDERING GUIDE

CATALOG #  **Example: NXSMP2-LMI**

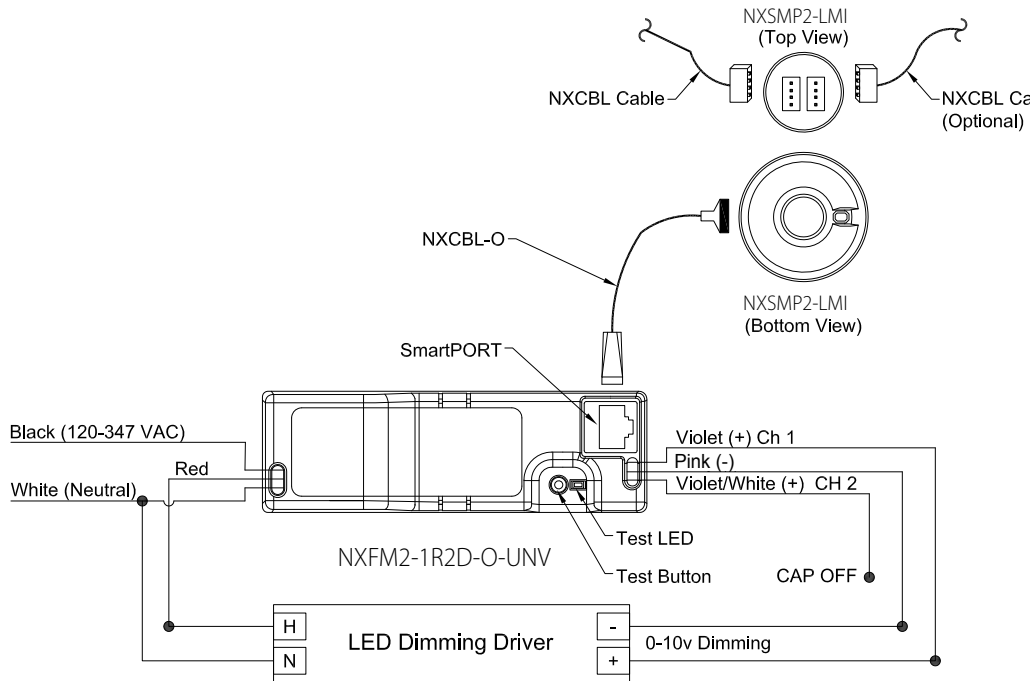
<b>NXSMP2</b>	<b>LMI</b>
<b>Model</b>	<b>Sensor Type</b>
NXSMP2 NX Digital Smart Sensor Gen 2 with Integrated Wireless, PIR and Daylight Harvesting	LMI Slide Mount Indoor

## DIMENSIONS



## ADDITIONAL INFORMATION

### Wiring Diagrams



### NXSMP2-LMI with NXFM2-1R2D-O-UNV

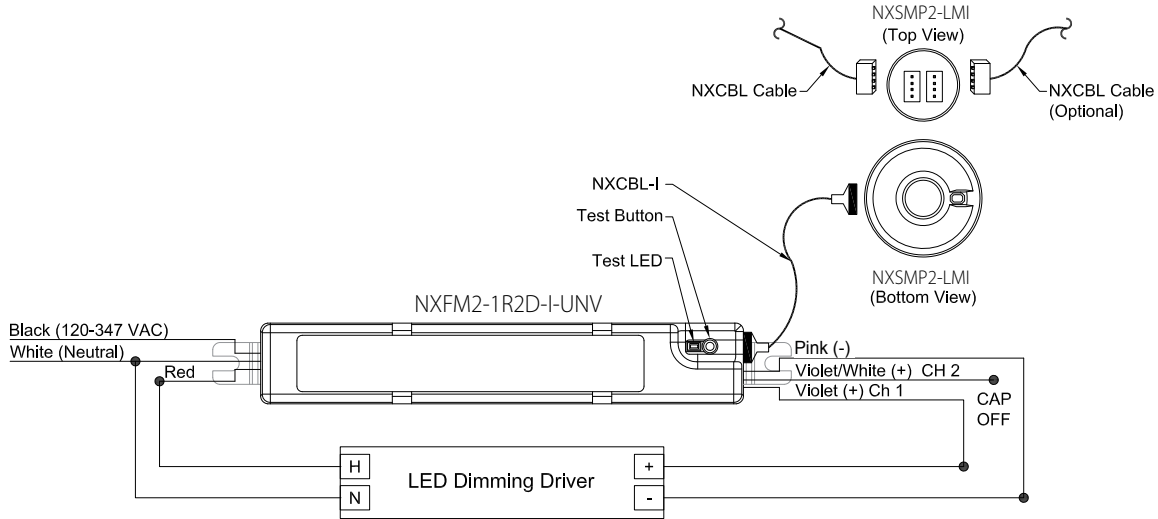
Pink wire replace previous gray wire. Unit with a gray instead of pink wire should be wired as the pink wire shown in the diagram.

# NXSMP2 Series

LOW MOUNT INDOOR SENSOR - LMI

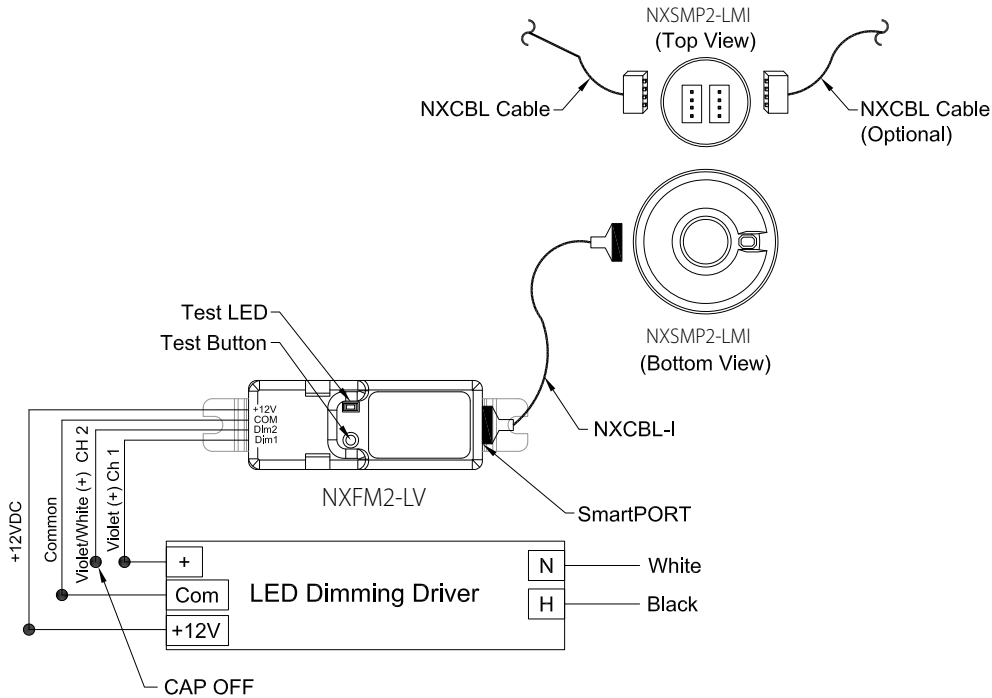
## ADDITIONAL INFORMATION (CONTINUED)

### Wiring Diagrams (Continued)



### NXSMP2-LMI with NXFM2-1R2D-I-UNV

Pink wire replace previous gray wire. Unit with a gray instead of pink wire should be wired as the pink wire shown in the diagram.



### NXSMP2-LMI with NXFM2-LV

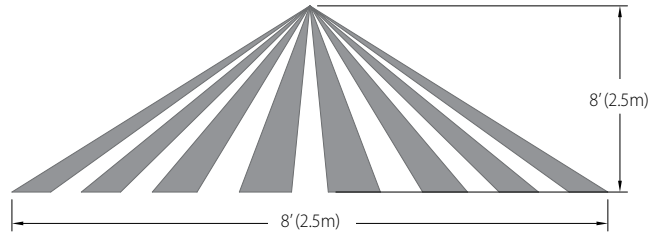
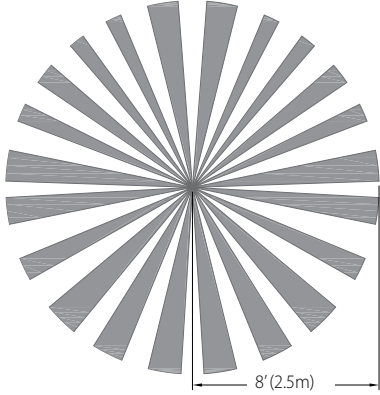
Pink wire replace previous gray wire. Unit with a gray instead of pink wire should be wired as the pink wire shown in the diagram.

# NXSMP2 Series

LOW MOUNT INDOOR SENSOR - LMI

## ADDITIONAL INFORMATION (CONTINUED)

### Coverage Pattern



### Default Settings

Occupancy Sensor	Enabled
Occupancy Sensor Sensitivity	7
Occupancy Sensor Timeout	15 Minutes
Occupied Dim Level	100%
Unoccupied Dim Level	0%
Daylight Sensor	Disabled
Bluetooth	Enabled
2.4GHz Wireless Mesh	Off
Passcode	Enabled (Factory Passcode: HubbN3T!)