

NXSMP2 Series

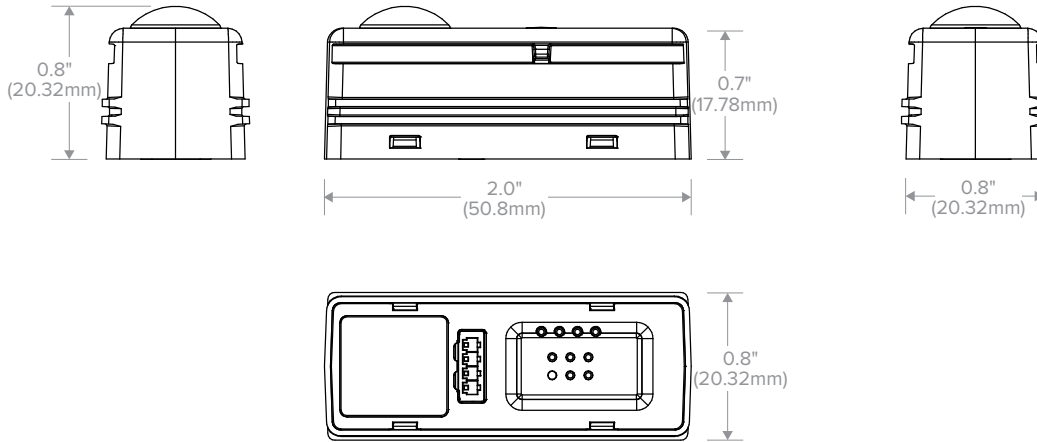
SLIDE MOUNT SENSOR - SMI

ORDERING GUIDE

CATALOG # Example: NXSMP2 -SMI

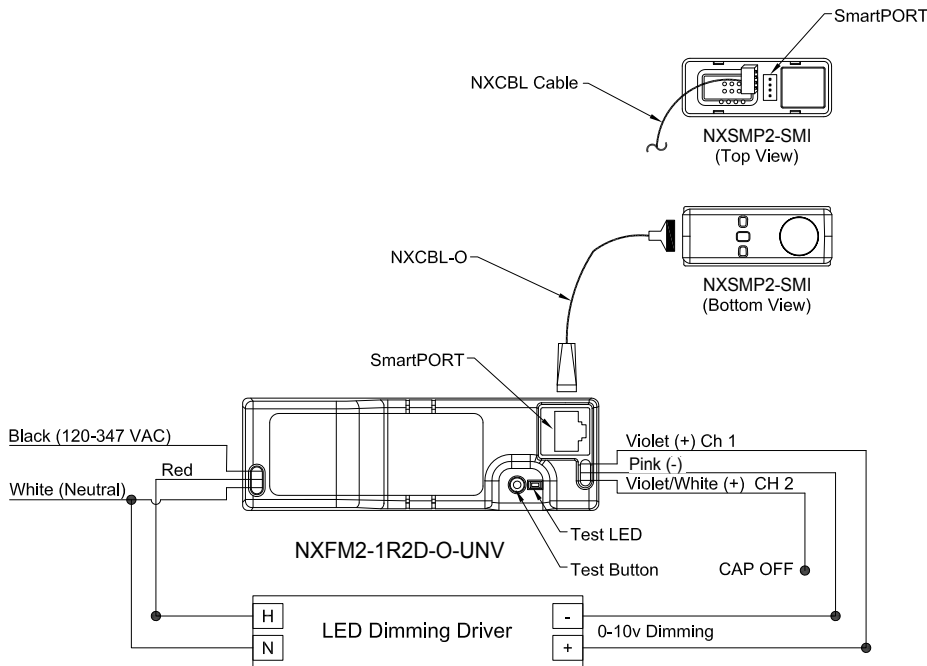
NXSMP2	Model	SMI	Sensor Type
NXSMP2	NX Digital Smart Sensor Gen 2 with Integrated Wireless, PIR and Daylight Harvesting	SMI	Slide Mount Indoor

DIMENSIONS



ADDITIONAL INFORMATION

Wiring Diagrams



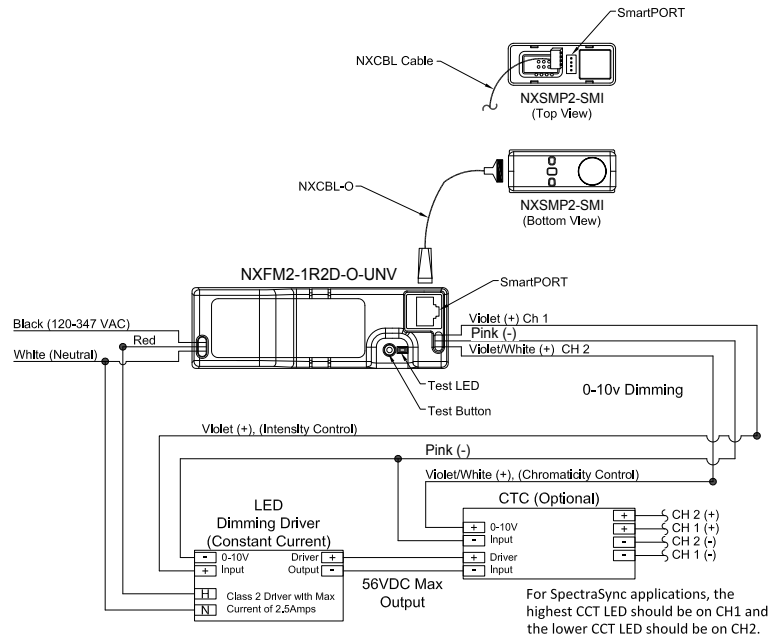
Pink wire replace previous gray wire. Unit with a gray instead of pink wire should be wired as the pink wire shown in the diagram.

NXSMP2 Series

SLIDE MOUNT SENSOR - SMI

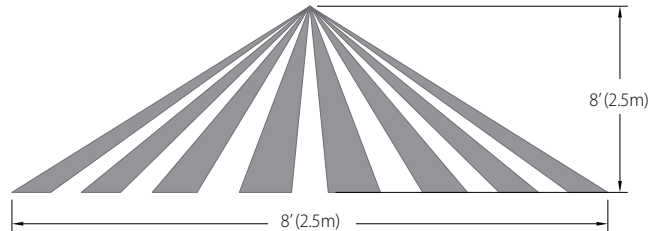
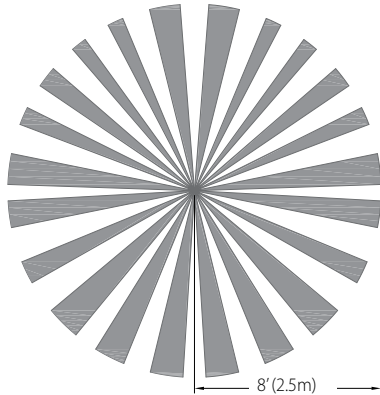
ADDITIONAL INFORMATION (CONTINUED)

Wiring Diagrams (Continued)



Pink wire replace previous gray wire. Unit with a gray instead of pink wire should be wired as the pink wire shown in the diagram.

Coverage Pattern



Default Settings

Occupancy Sensor	Enabled
Occupancy Sensor Sensitivity	7
Occupancy Sensor Timeout	15 Minutes
Occupied Dim Level	100%
Unoccupied Dim Level	0%
Daylight Sensor	Disabled
Bluetooth	Enabled
2.4GHz Wireless Mesh	Off
Passcode	Enabled (Factory Passcode: HubbN3T!)