



Project Name _____

Catalog No. _____ Date _____



The NXFSP and NXDSP dual SmartPORT™ adapters allow for wired Cat5 interconnection of luminaires equipped with internal NXFM In-fixture modules. The adapter is mounted to the luminaire through a 1/2" KO or punched opening in the housing and provides two exterior RJ45 connectors for in and out daisy chain CAT5 connections.

The NXFSP version provides a digital bridge connection between an internal fixture bus with multiple NX components and an external NX network. The NXDSP version can be used in simple applications where the only component within the luminaire is one of the NXFM series in fixture modules.

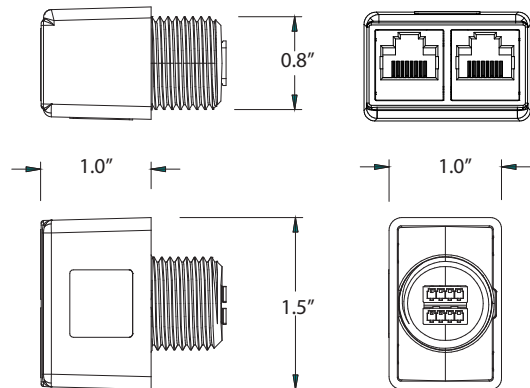
Product Features

- Dual RJ45 connectors for external CAT5 connection
- Integral 1/2" threaded nipple with lock ring
- Molded slot in housing for notched sheet metal mounting
- Two miniature SmartPORT connectors for internal connections
- NXFSP version supports luminaires housing multiple NX smart devices
- NXDSP version for use with NXFM series in-fixture modules only
- Plenum Rated
- Five year limited warranty

Compliance and Certification



Dimensional Data



Ordering Information

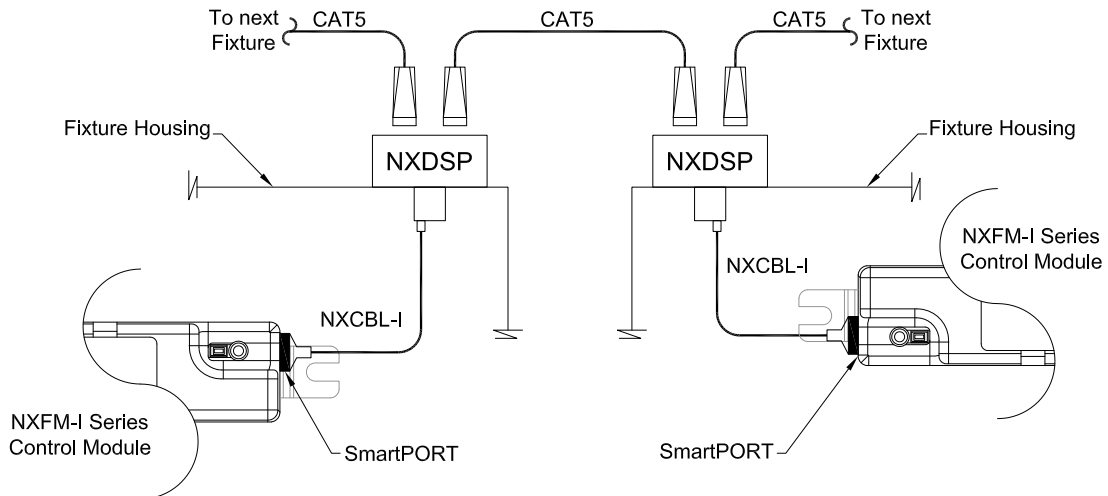
NXFSP
MODEL

NXFSP NX Fixture SmartPORT Bridge Adapter

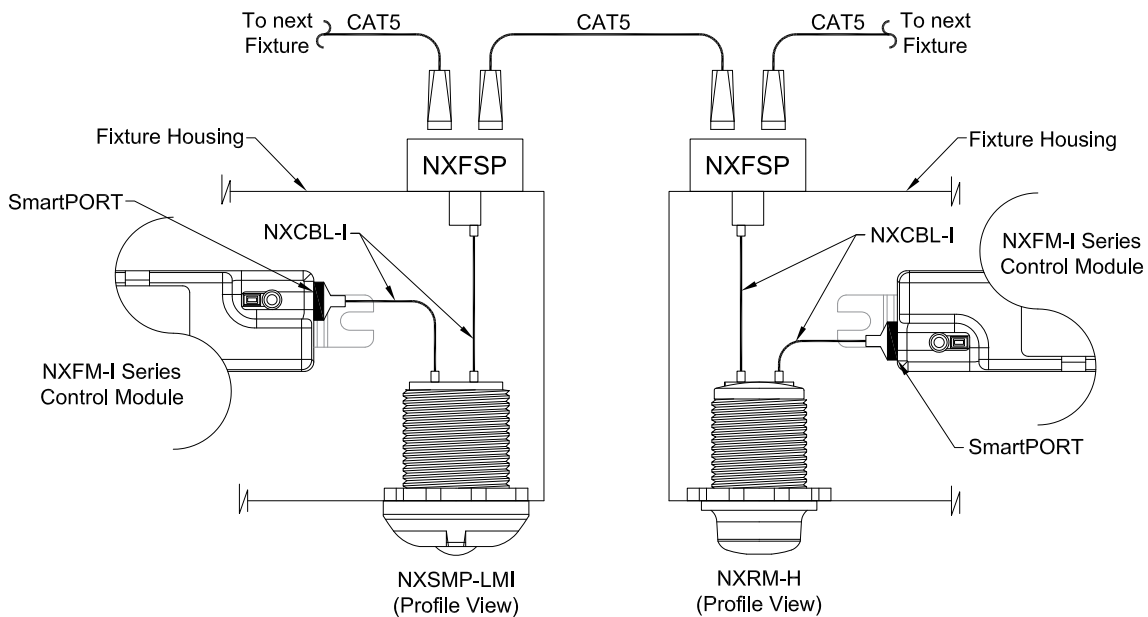
NXDSP
MODEL

NXDSP NX Fixture SmartPORT Adapter

Wiring Information



NXDSP



NXFSP

General Specifications

Ports	2 external RJ45 SmartPORT receptacles 2 internal mini SmartPORT receptacles All 4 ports are bussed together
Operating Environment	Indoor use only
Operating Temperature	32° to 104° (0° to 40°) Relative humidity (non-condensing): 0% to 95%
Construction	ABS (UL-945VA) flame class rating, UV inhibitors
Dimensions	External: 1.5" [38.1 mm]L, 1.0" [25.4 mm]W, 0.96" [24.38 mm]H Internal Thread: 0.8" [20.32 mm]L, 0.62" [15.75 mm]D
Weight	1.2 oz [34.0g]
Color	White
Mounting	Mounts in 0.82" diameter aperture, secured by supplied nut on threaded body
Certification	cULus listed, Certification complies with requirements for use with plenum
Warranty	5-year limited