

NXRM2 Series

INDOOR AND OUTDOOR - NX RADIO MODULE

FEATURES

- Low profile architectural design that compliment luminaire aesthetics
- Integrated 2.4GHz Wireless Mesh and Bluetooth for easy commissioning and communication
- Device configuration through NX Lighting Controls Mobile App
- Simple plug-and-play connection to NX In-Fixture Modules and NX Room Controllers
- Indoor and Outdoor Rated
- Five-year limited warranty



SPECIFICATIONS

CONSTRUCTION

- Housing: ABS (UL-945VA) Flame Class Rating, UV Inhibitors
- Color: White, Black, Gray
- 4.0oz (113.4g)
- Overall Dimensions: 2.15" (54.61mm)H x 1.49" (37.84mm) W
- Mounting Barrel: 1.45" (36.83mm) H x 1.2" (30.48mm) W
- Complies for use in a plenum area

MOUNTING

- Mounts in 1.25" diameter aperture secured by supplied nut on threaded body

ELECTRICAL

- Input
 - 12-24 VDC Class 2 supplied by NXFM (NX Fixture Module) or NXRCFX (NX Room Controller)
 - Power Consumption: 10mA
 - Wiring: Uses NXCBL
- Standby Power (W)
 - 120VAC: 0.1W
 - 277VAC: 0.1W
 - 347VAC: 0.1W

OPERATING ENVIRONMENT

- Rated for Indoor and Outdoor Use IP65 Rated
- Operating temperature: -40°F to 185°F (-40°C to 85°C)
- Relative humidity (non-condensing) 0% to 95%

WIRELESS

- 2.4GHz: IEEE 802.15.4 based
- Range: Indoor ~100ft (30m) Note: actual range is dependent upon building construction and radio location
- Range: Outdoor ~300ft (91m) Note: Range based on Clear Line of Sight
- Recommended Deployment Practices: Locate three radios within a 300
- Bluetooth® Version 5.2 (Range: Up to 50ft – Clear Line of Sight)

PROGRAMMING INTERFACE

- NX Lighting Controls Mobile App
- NX Area Controller (NXAC) for Network Applications

CERTIFICATIONS

- cULus Listed
- Complies with FCC Part 15.247
 - FCC ID: YH9NXRM2
 - IC: 9044A-NXRM2

WARRANTY

- 5 year limited warranty
- See website for additional information

NXRM2 Series

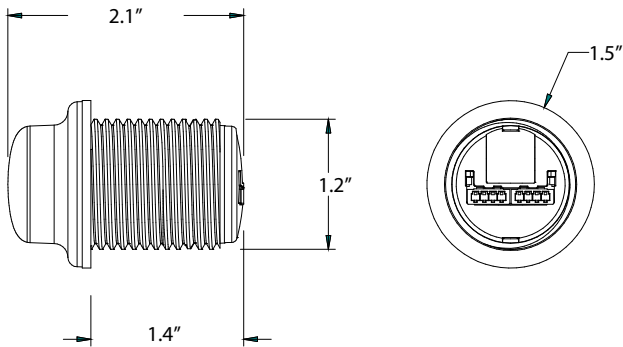
INDOOR AND OUTDOOR - NX RADIO MODULE

ORDERING GUIDE

 CATALOG # Example: NXRM2-H-BK

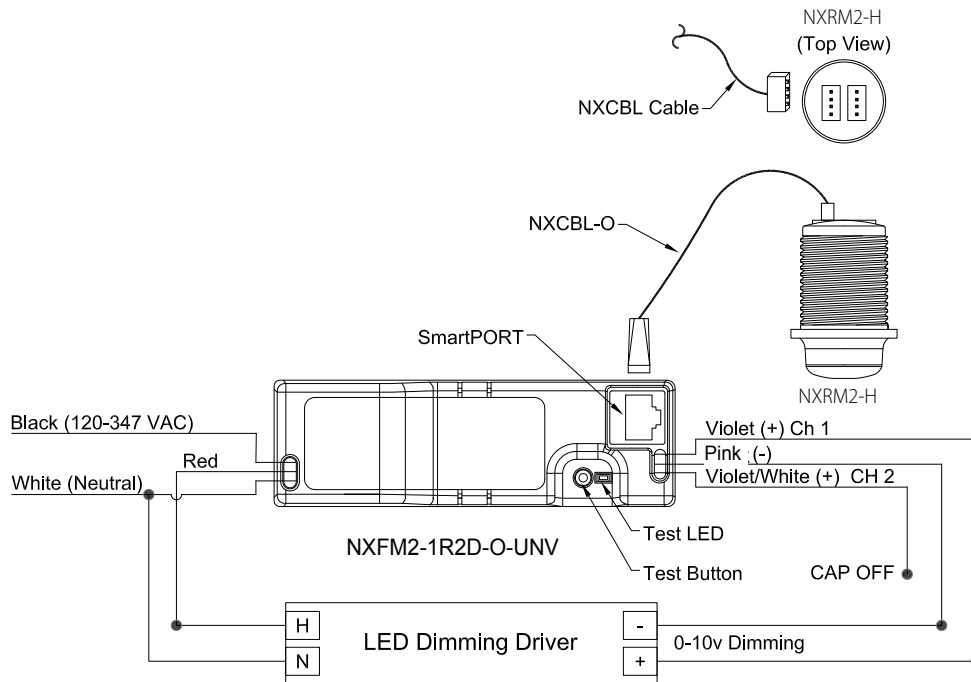
NXRM2		H	Color		
Model		Sensor Type			
NXRM2	NX Network Radio Module Gen 2 with Integrated Wireless and Bluetooth	H	NX Network Radio Module		Blank White BK Black GY Gray

DIMENSIONS



ADDITIONAL INFORMATION

Wiring Diagrams



NXRM2 with Sensor

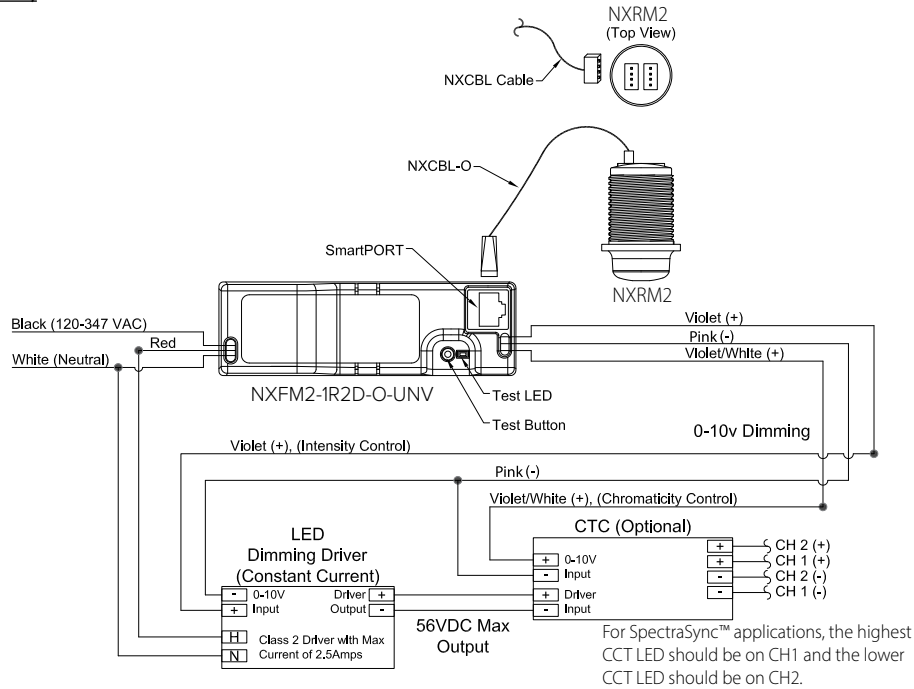
Pink wire replace previous gray wire. Unit with a gray instead of pink wire should be wired as the pink wire shown in the diagram.

NXRM2 Series

INDOOR AND OUTDOOR - NX RADIO MODULE

ADDITIONAL INFORMATION (CONTINUED)

Wiring Diagrams (continued)



NXRM-H with Optional CTC

Pink wire replace previous gray wire. Unit with a gray instead of pink wire should be wired as the pink wire shown in the diagram.

Default Settings

Bluetooth	Enabled
2.4GHz Wireless Mesh	Off
Passcode	Enabled (Factory Passcode: Hubbn3T!)