

# NXRM2 Series

INDOOR AND OUTDOOR - NX RADIO MODULE

## FEATURES

- Low profile architectural design that compliment luminaire aesthetics
- Integrated 2.4GHz Wireless Mesh and Bluetooth for easy commissioning and communication
- Device configuration through NX Lighting Controls Mobile App
- Simple plug-and-play connection to NX In-Fixture Modules and NX Room Controllers
- Indoor and Outdoor Rated
- Five-year limited warranty



## SPECIFICATIONS

### CONSTRUCTION

- Housing: ABS (UL-945VA) Flame Class Rating, UV Inhibitors
- Color: White, Black, Gray
- 4.0oz (113.4g)
- Overall Dimensions: 2.15" (54.61mm)H x 1.49" (37.84mm) W
- Mounting Barrel: 1.45" (36.83mm) H x 1.2" (30.48mm) W
- Complies for use in a plenum area

### MOUNTING

- Mounts in 1.25" diameter aperture secured by supplied nut on threaded body

### ELECTRICAL

- Input
  - 12-24 VDC Class 2 supplied by NXFM (NX Fixture Module) or NXRCFX (NX Room Controller)
  - Power Consumption: 20mA
  - Wiring: Uses NXCBL
- Standby Power (W)
  - 120VAC: 0.1W
  - 277VAC: 0.1W
  - 347VAC: 0.1W

### OPERATING ENVIRONMENT

- Rated for Indoor and Outdoor Use IP65 Rated
- Operating temperature: -40°F to 185°F (-40°C to 85°C)
- Relative humidity (non-condensing) 0% to 95%

### WIRELESS

- 2.4GHz: IEEE 802.15.4 based
- Range: Indoor ~100ft (30m) Note: actual range is dependent upon building construction and radio location
- Range: Outdoor ~300ft (91m) Note: Range based on Clear Line of Sight
- Recommended Deployment Practices: Locate three radios within a 300
- Bluetooth® Version 5.2 (Range: Up to 50ft – Clear Line of Sight)

### PROGRAMMING INTERFACE

- NX Lighting Controls Mobile App
- NX Area Controller (NXAC) for Network Applications

### CERTIFICATIONS

- cULus Listed
- Complies with FCC Part 15.247
  - FCC ID: YH9NXRM2
  - IC: 9044A-NXRM2

### WARRANTY

- 5 year limited warranty
- See website for additional information

# NXRM2 Series

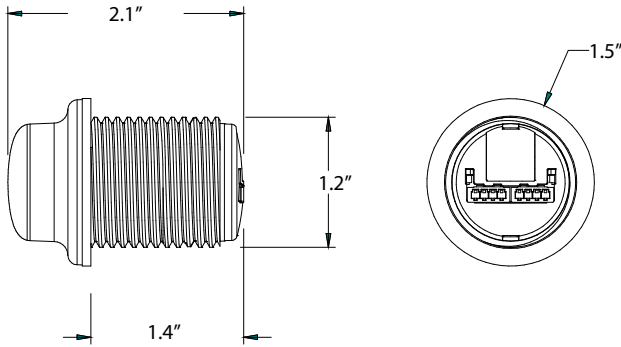
INDOOR AND OUTDOOR - NX RADIO MODULE

## ORDERING GUIDE

 CATALOG #  Example: NXRM2-H-BK

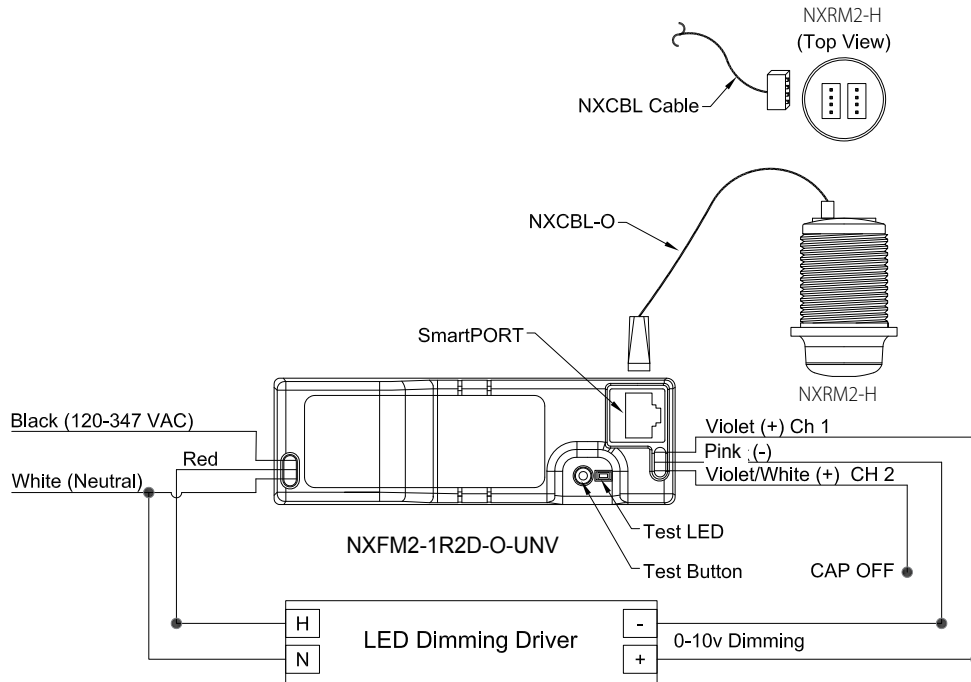
NXRM2		H	Color		
Model		Sensor Type			
NXRM2	NX Network Radio Module Gen 2 with Integrated Wireless and Bluetooth	H	NX Network Radio Module		<b>Blank</b> White <b>BK</b> Black <b>GY</b> Gray

## DIMENSIONS



## ADDITIONAL INFORMATION

### Wiring Diagrams



### NXRM2 with Sensor

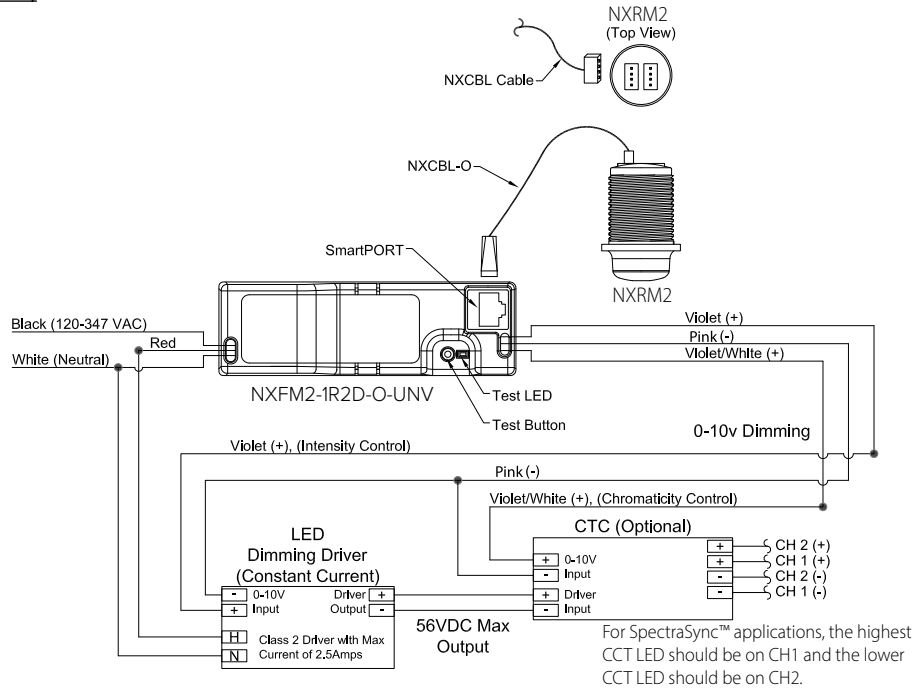
Pink wire replace previous gray wire. Unit with a gray instead of pink wire should be wired as the pink wire shown in the diagram.

# NXRM2 Series

INDOOR AND OUTDOOR - NX RADIO MODULE

## ADDITIONAL INFORMATION (CONTINUED)

### Wiring Diagrams (continued)



### NXRM-H with Optional CTC

Pink wire replace previous gray wire. Unit with a gray instead of pink wire should be wired as the pink wire shown in the diagram.

### Default Settings

Bluetooth	Enabled
2.4GHz Wireless Mesh	Off
Passcode	Enabled (Factory Passcode: Hubbn3T!)