



Project Name _____

Catalog No. _____ Date _____

The NXSW-CCT switch provides chromaticity control of SpectraSync™ tunable white enabled luminaires. The NXSW-CCT switch is provided with four color temperature preset buttons which allows the user to select between four preset tunable white settings. When any of these presets are selected, the NXSW-CCT provides a smooth fade from one correlated color temperature (CCT) setting to another. Adjustable fade times allow the user to adjust the rate at which these changes take place using the NX Lighting Controls mobile app (available for Android® and iOS® mobile devices) or the NX Area Controller (NXAC). The NXSW-CCT station is also provided with Raise / Lower buttons allowing the user to fine tune the CCT settings as required.

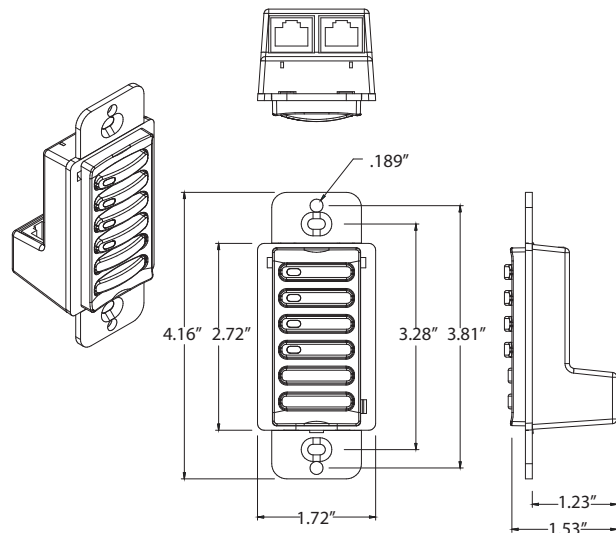
The NXSW-CCT station provides plug and play integration with the NX System via CAT5 connectivity.

SpectraSync color tuning technology offers the ability to adjust the CCT for task visibility, or to change the aesthetics of the controlled space.

Product Features

- Compatible with Current's SpectraSync enabled luminaires
- Attractive, decorator style design
- Mounts to standard single or multi-gang switch box
- Four factory preset LED color selections
- Manual raise to cool and lower to warm buttons
- Plug and Play integration with NX control system
- Simple CAT5 connection
- Five year limited warranty
- Class 2, low voltage device, 24 VDC

Dimensional Data



Default CCT Values for Preset Buttons

	2765T	2750T
Focus	6500K	5000K
Work	5200K	4200K
Normal	4000K	3500K
Calm	2700K	2700K

Note: For customized CCT values use mobile NX Device Setup App

Ordering Information

NXSWR		CCT		COLOR	
MODEL	SWITCH TYPE	MODEL	SWITCH TYPE	MODEL	COLOR
NXSWR	NX Specialty Switch	CCT	LED Color Control Switch	WH	White
				IV	Ivory
				LA	Light Almond
				GY	Grey
				BK	Black
				RD	Red*

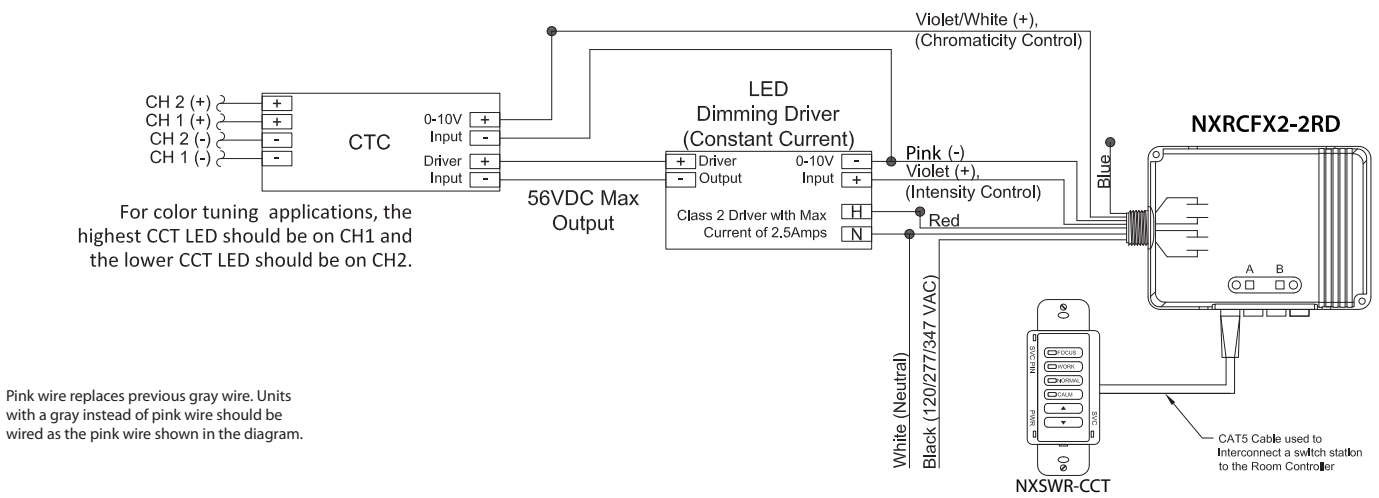
*Special order only

Ordering Information

CAT5 System Cables

MODEL/DESCRIPTION	
CAT5-3F-OR-PLENUM	CAT5 Cable for NX SmartPORT Devices, Plenum Rated, 3ft, Orange
CAT5-10F-OR PLENUM	CAT5 Cable for NX SmartPORT Devices, Plenum Rated, 10ft, Orange
CAT5-25F-OR PLENUM	CAT5 Cable for NX SmartPORT Devices, Plenum Rated, 25ft, Orange
CAT5-50F-OR PLENUM	CAT5 Cable for NX SmartPORT Devices, Plenum Rated, 50ft, Orange
CAT5-100F-OR PLENUM	CAT5 Cable for NX SmartPORT Devices, Plenum Rated, 100ft, Orange

Wiring Diagrams



General Specifications

Addressing	Eight position rotary switch
Power Requirements	Powered by NX SmartPORT using plenum rated CAT5 cables (ordered separately)
Operating Environment	Indoor use only Operating Temperature: 32°F to 104°F [0°C to 40°C] Relative humidity (non-condensing): 0 to 95%
Construction	Housing - Rugged, high impact, injection molded plastic
Dimensions	4.2"L [106.68mm] x 1.6"W [40.64mm] x 1.4"D [35.56mm]
Weight	1.6 oz [45.34 g]
Color	White, Ivory, Light Almond, Gray, Black, Red
Mounting	Switches may be mounted individually in a single gang switch box or ganged together in a multi-gang switch box Decorator-style wall plates available separately
Warranty	Five-year limited