

Lighting Controls

DATE:	LOCATION:
TYPE:	PROJECT:
CATALOG #:	

NXCBL SERIES

SPECIALTY CABLES

FEATURES

- Supports NX Lighting Controls
- Enables connectivity to NX Smart Sensors, NX Switch Stations and NX Radio Modules
- Low voltage device: 24VDC
- Jacket is rated 600V and 105C
- Plenum rated version for remote mounted sensors, radios, and accessories
- Five year limited warranty



CONTROL TECHNOLOGY



SPECIFICATIONS

CONSTRUCTION

- Unshielded
- 4-Conductor
- 26AWG tinned copper
- UL1015 600V Isolation
- 105°C Jacket
- Lengths: 6", 10", 12", 24", 48"
- Lengths: 10", Only available with plenum version
- Diameter: 0.058"
- Color: Gray, White (NXCBL-P-10)
- CAT5e Wire 24AWG Unshielded (NXCBL-P-10)

INSTALLATION

- Connected to NX In-Fixture Module, NX Radio, NX Smart Sensor, NX Switch Station
- NXCBL- I and NXCBL-O are non-plenum rated and intended for use inside enclosure
- NXCBL-P(2) is plenum rated for use in ceiling mounted applications
- NXCBL-P connects the NX system via RJ45 connector and to NXSMP2 sensors, NXRM2-H, NXSMdT or other mini SmartPORT devices
- NXCBL-P2 connects to the NX system via a dual RJ45 connector (ideal for daisy chaining devices) and to NXSMP2 sensors, NXRM2-H, NXSMdT sensors or other mini SmartPort devices

ELECTRICAL

- Voltage 12 or 24 VDC

OPERATION ENVIRONMENT

- NXCBL-I/O: -40°C to 85°C (-40°F to 185°F)
- NXCBL-P: -20°C to 75°C
- NXCBL-P2: -20°C to 75°C

CERTIFICATIONS

- UL listed material
- Halogen-Free
- NFPA Compliant
- RoHS Compliant
- ANSI/TIA 568-C (NXCBL-P-10)

WARRANTY

- 5 year warranty

Lighting Controls

NXCBL SERIES

SPECIALTY CABLES

ORDERING GUIDE

Infixure Cables

Example: NXCBL-O-6

CATALOG#

NXCBL			
Model	Description	Length	
NXCBL NX Cable	O Offset	6 6"	
	I Inline	24 24"	
		48 48"	

Notes:

- 1 NXCBL-I & O not plenum rated

Plenum Rated Cables

Example: NXCBL-P-10

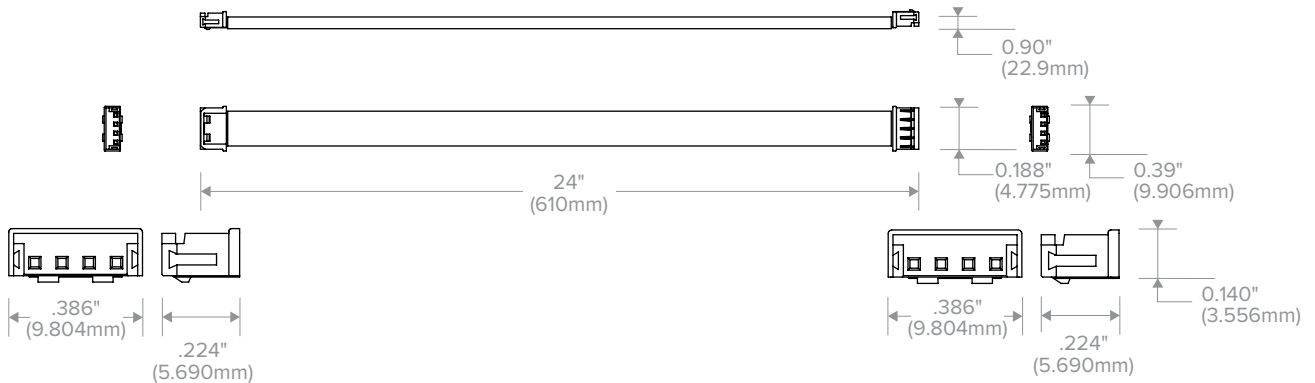
CATALOG#

NXCBL			
Model	Description	Length	
NXCBL NX Cable	P Plenum	10 10"	
	P2 Plenum ³	12 12"	

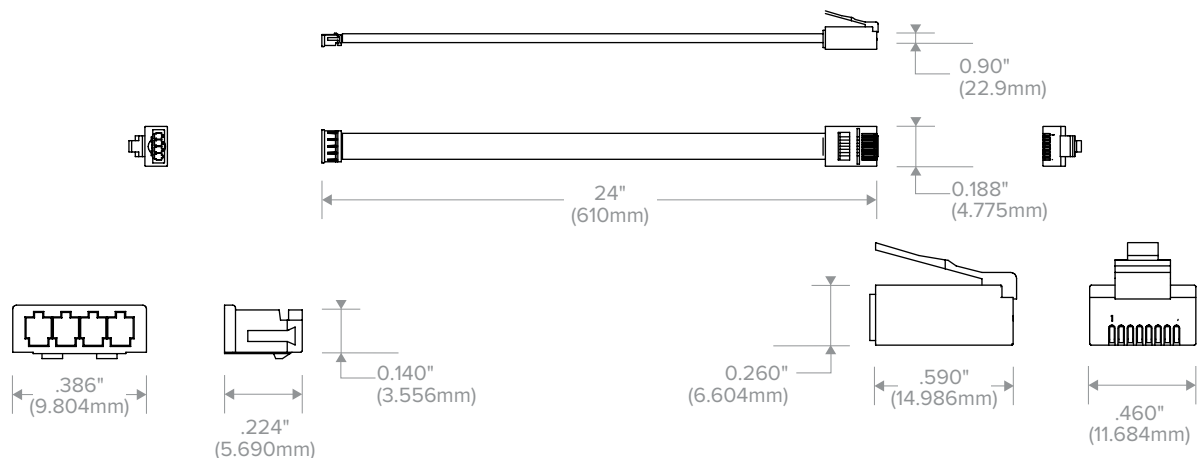
Notes:

- 1 10" Length only available in NXCBL-P version
- 2 12" Length only available in NXCBL-P2 version
- 3 P2 is Dual Female RJ45 Ports

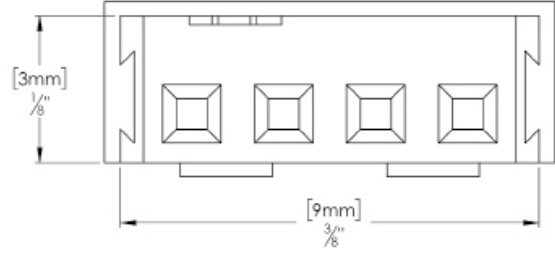
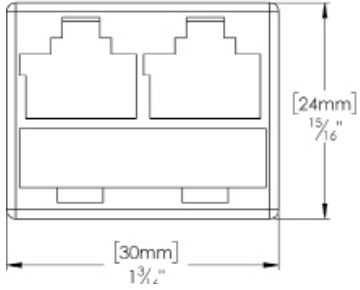
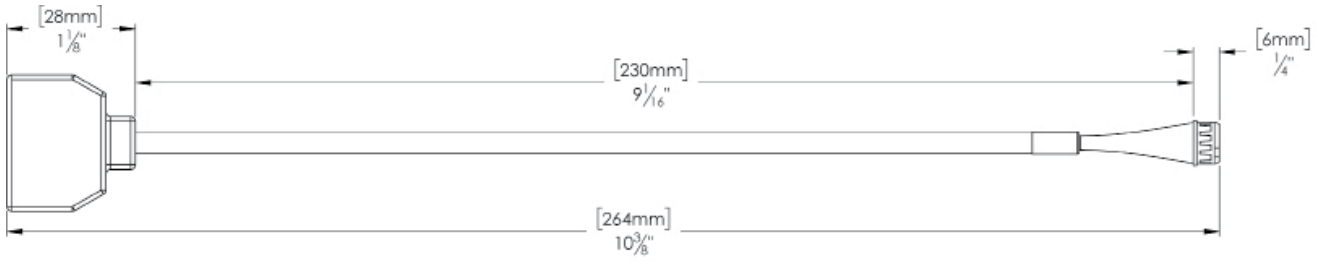
DIMENSIONS



NXCBL-I



NXCBL-O



NXCBL-P2

Lighting Controls

NXCBL SERIES SPECIALTY CABLES

ADDITIONAL INFORMATION

Application Example for Plenum Adapter Cable for Application in a Plenum Space

