

Lighting Controls

DATE: _____ LOCATION: _____

TYPE: _____ PROJECT: _____

CATALOG #: _____

NXFRD 0-10V Dimming Converter

NX LIGHTING CONTROL PANEL



FEATURES

- Auto-sensing forward and reverse phase dimming
- Dims standard 120V or 277V lighting loads
- Supports up to 1300W max load
- Dual 0–10V input and output ports
- Integrated 6.5ft flexible conduit
- Rugged Anodized Aluminum housing
- Compatible with NX Room Controllers



SPECIFICATIONS

CONSTRUCTION

- Housing: Anodized Aluminum
- Color: Black
- 28 oz (798g)
- 4.01" (101.85MM)L x 5.52"(140.22MM)W x 1.88" (47.75MM)H
- Complies with requirements for use in a plenum area

MOUNTING

- Surface Mount with Screws

ELECTRICAL

- Input
 - 120/277VAC, 60Hz
 - Single Feed Input Connection
- Output
 - 120/277VAC, 60Hz
 - Single Feed Output Connection
- Low Voltage
 - Class 2 0–10V Input and Output

ELECTRICAL (CONTINUED)

- Max Load Rating
 - 120VAC - 700W
 - 277VAC - 1300W
- Minimum Load Rating
 - 24W Minimum
- Standby Power
 - 120VAC: 0.75W
 - 270VAC: 1.87W
- Dimming
 - Class 2/Class 1
 - Installation as Class 1 requires 600 volt insulation on dimming conductors sharing a conduit with line voltage conductors

OPERATING ENVIRONMENT

- Operating Temperature: -40°F to 140°F (-40°C to 60°C)
- Relative Humidity (Non-condensing): 0% to 50%

CERTIFICATIONS

- ETL Damp Locations

WARRANTY

- 5 year limited warranty

Lighting Controls

NXFRD 0-10V Dimming Converter

NX LIGHTING CONTROL PANEL

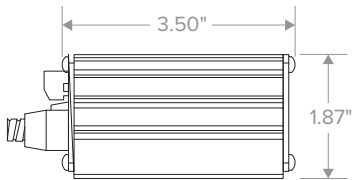
ORDERING GUIDE

Example: NXFRD-UNV

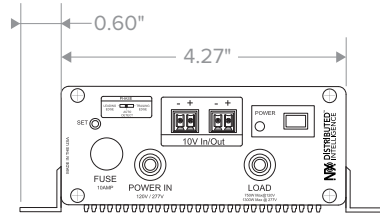
CATALOG #

NXFRD	UNV
Model	Voltage
NXFRD NX Forward and Reverse Phase Dimming Converter	UNV 120/277VAC

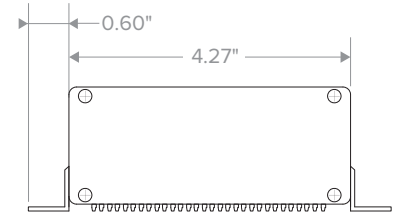
DIMENSIONS



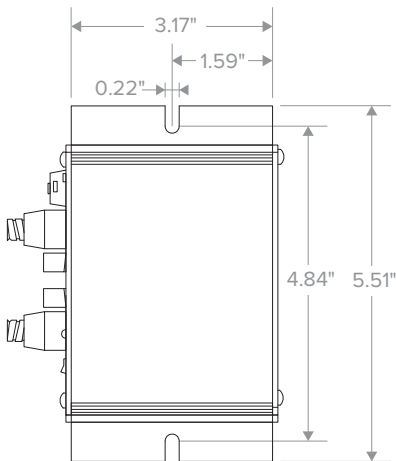
Elevation View



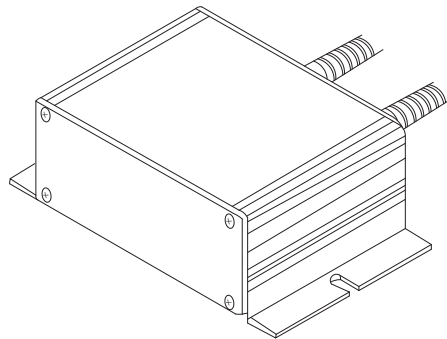
Front



End Cap



Plan View



ISO

Lighting Controls

NXFRD 0-10V Dimming Converter

NX LIGHTING CONTROL PANEL

ADDITIONAL INFORMATION

Wiring Diagrams

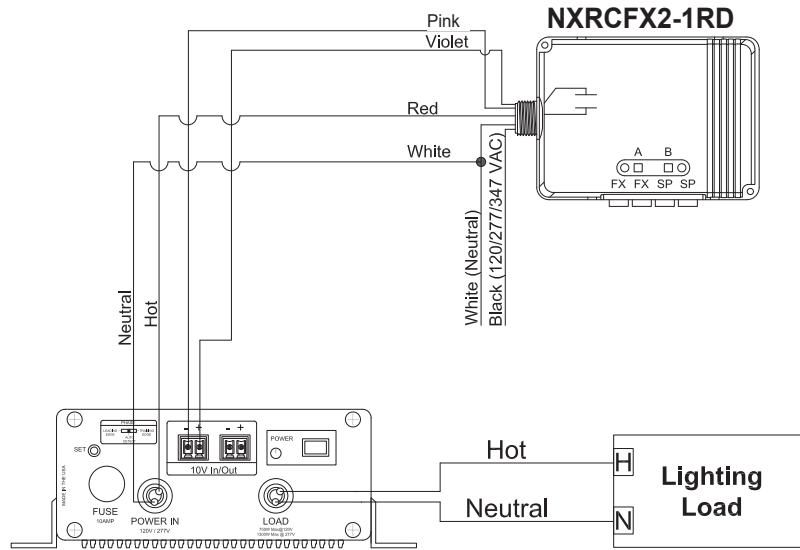


Diagram for use with NXRCFX Room Controller

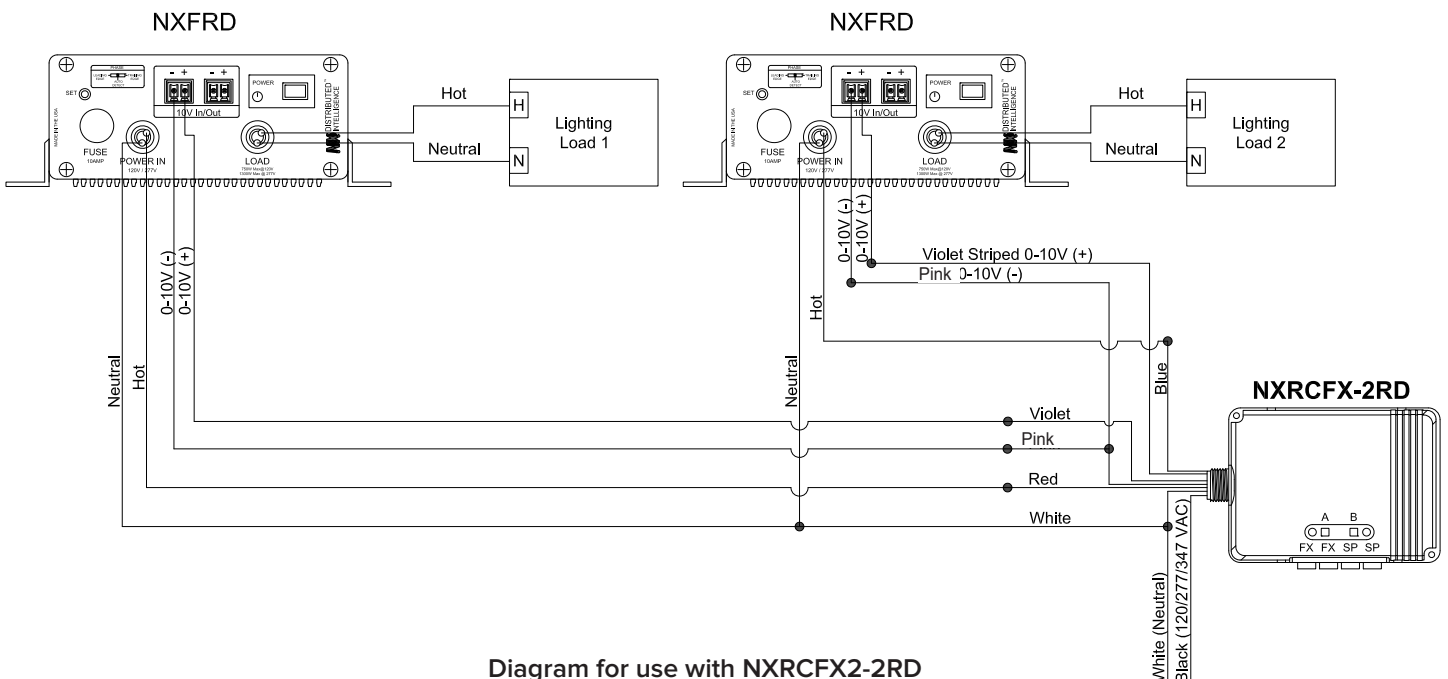


Diagram for use with NXRCFX2-2RD

Pink wire replace previous gray wire. Unites with a gray instead of pink wire should be wired as the pink wire shown in the diagram.

Lighting Controls

NXFRD 0-10V Dimming Converter

NX LIGHTING CONTROL PANEL

ADDITIONAL INFORMATION (CONTINUED)

Wiring Diagrams (Continued)

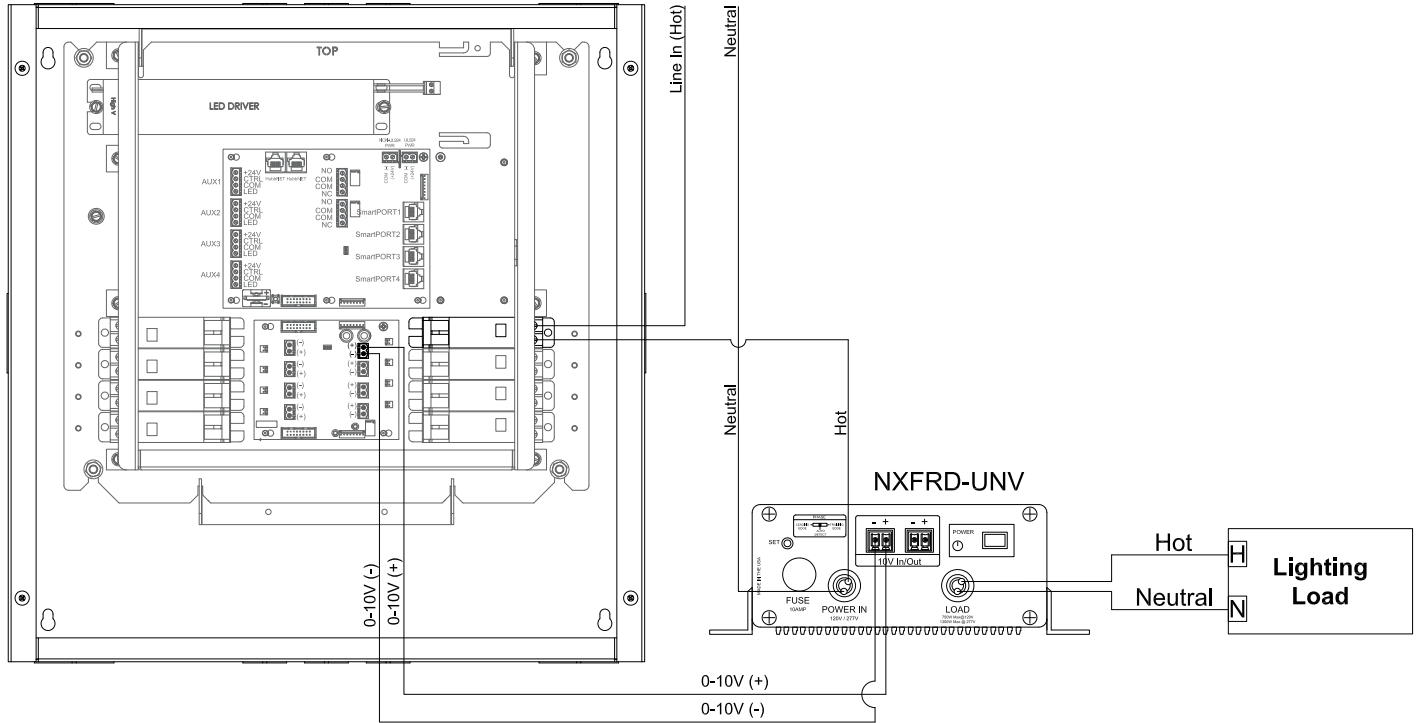
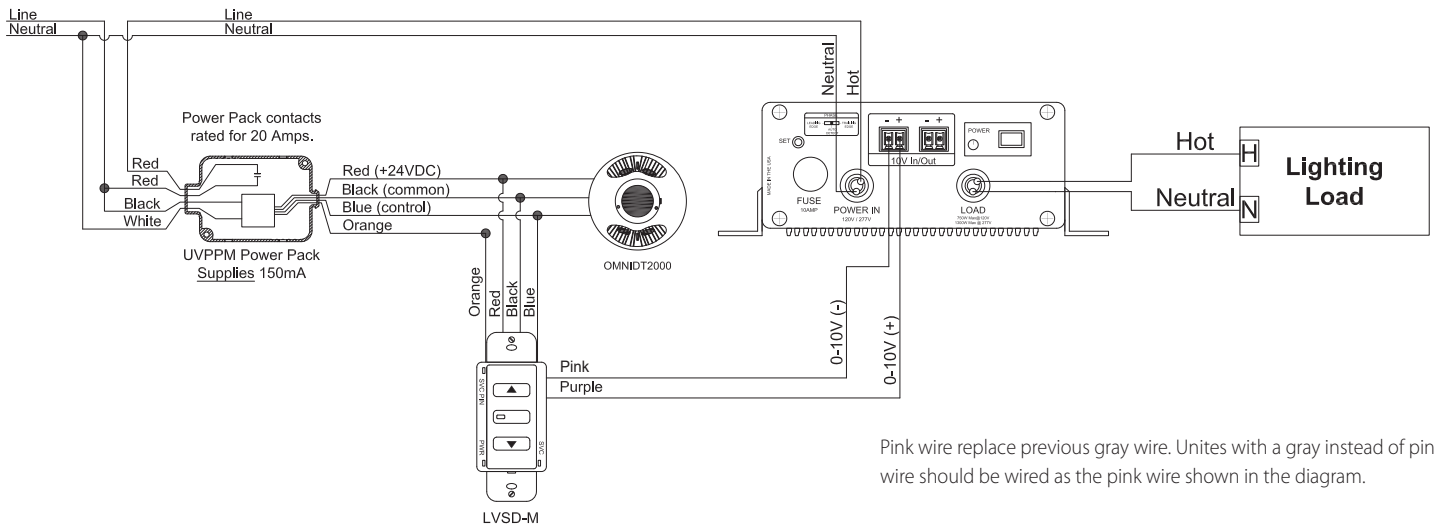


Diagram for use with NXP2 Lighting Control Panel



Pink wire replace previous gray wire. Unites with a gray instead of pink wire should be wired as the pink wire shown in the diagram.

Diagram for use with UVPPM Power Pack