

Correct orientation shown

Project Name \_\_\_\_\_

Catalog No. \_\_\_\_\_ Date \_\_\_\_\_

The daylighting control photocell sensors (DLCPCI, DLPCO, DLCPCA and DLCPCS) provide indoor, outdoor, or skylight control of lighting circuits based on natural daylight. The DLCPC sensors and controller are able to provide coverage for any application. The DLCPC sensors are used in different locations in and around a building. Indoor sensors are used in offices and classrooms. Outdoor sensors detect light for sign and site illumination control. Atrium sensors measure light in lobbies. Skylight sensors read the ambient light available in warehouse skylights.

Each sensor has a different range and focus of the light being measured. The sensor sensitivity is adjustable. Model measurements ranges include 750, 2,500 or 7,500FC. The indoor sensor has a flat Fresnel lens that looks downward in a 60-degree cone of reference to measure actual light on the work surface. The outdoor sensor is enclosed in a weatherproof housing with a visor for shading and lens protection. The Atrium and Skylight sensors both use diffusing dome lenses to provide a 180-degree angle of photodiode response.

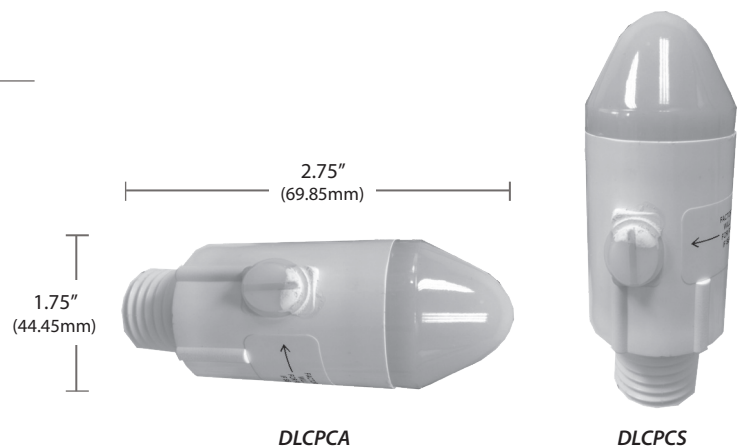
### Compliance and Certification



### Dimensions

### Product Features

- Multiple sensor options available
- Interfaces with Energy Management Systems
- Five-year limited warranty
- Low voltage device: 24 Vdc



Correct orientation shown

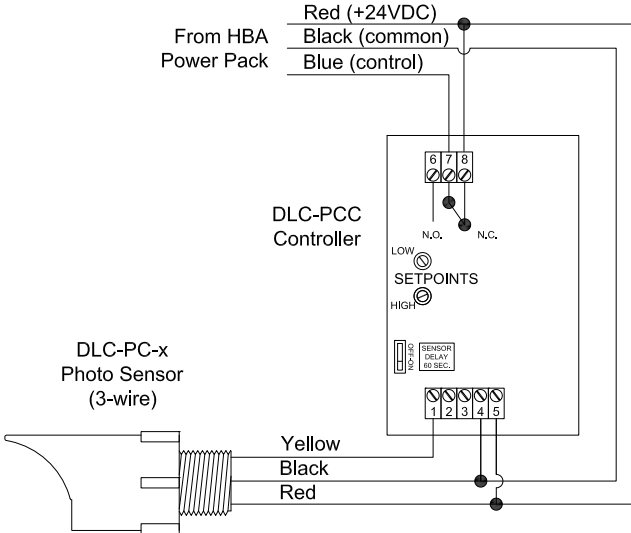
### Ordering Information

--	--

#### MODEL

<b>DLCPCI</b>	Indoor Photocell Sensor, 0-100FC
<b>DLPCO</b>	Outdoor Photocell Sensor, 0-250FC
<b>DLCPCA</b>	Atrium Photocell Sensor, 2-1000FC
<b>DLCPCS</b>	Skylight Photocell Sensor, 10-2000FC

Wiring Diagrams



General Specifications

Time Response	Fixed 10 second Full Range		
Tolerance	Repeatability: +/- 0.5% Linearity: 2% Temperature: +/- 10%		
Operating Temperature	-40°F to 140°F (-40°C to 60°C)		
Sensor Type	Blue-enhanced photo diode		
Sensor Ranges	Housing Minimum		Maximum
	DLCPCL Indoor	0FC	100FC
	DLCPCL Outdoor	0FC	250FC
	DLCPCL Atrium	2FC	1,000FC
	DLCPCL Skylight	10FC	2,000FC
Input Voltage	24VDC		
Output Voltage	10V full output		
Output Offset	0VDC or 1VDC - total darkness		
Wiring	Three conductors 18-gauge standard cable Red: Pos. DC input Black: DC common Yellow: Output to EMS		
Certifications	ETL/UL 916 Listed Title 24 Listed RoHS compliant		
Warranty	Five-year limited		