



**UL924SR**

Project Name \_\_\_\_\_

Catalog No. \_\_\_\_\_ Date \_\_\_\_\_

The enclosed 20 Amp electrically held UL 924 Bypass Shunt Relays provide an isolated normally closed contact that can be used to bypass control devices to power emergency lighting directly from the emergency generator. The coil in these relays is powered by a normal power supply.

When the loss of commercial power occurs, the contact returns to its normally closed state and bypasses control to the emergency egress lighting. These fixtures will remain connected directly to generator emergency source until transfer back to normal power occurs.

### Product Features

- 20 Amp 120/277VAC Relay
- N/C isolated contacts
- UL listed
- No minimum load requirement
- Five-year limited warranty
- 120-277 Vac

### Compliance and Certification



### Dimensions



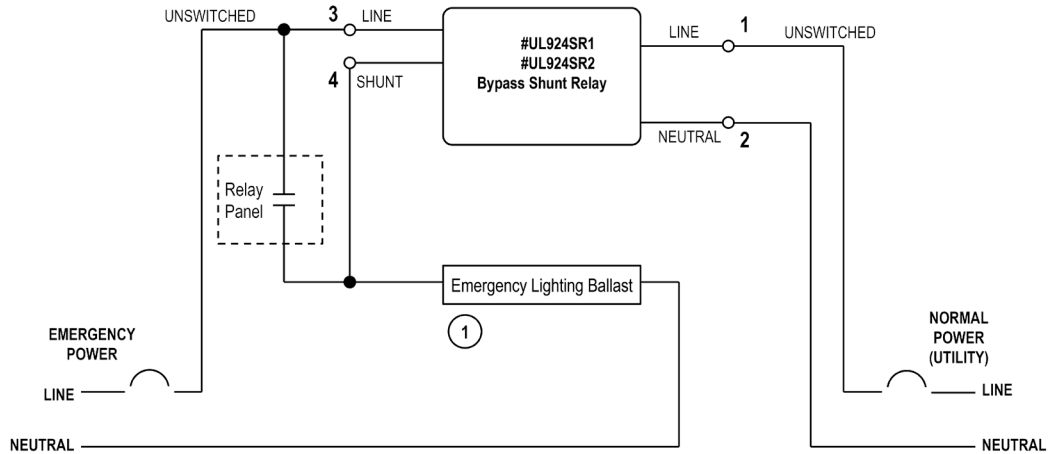
### Ordering Information

\_\_\_\_\_

**MODEL**

- |          |   |
|----------|---|
| UL924SR1 | UL924 N/C Shunt Relay 120/277V, 20A SPST with 120VAC Coil |
| UL924SR2 | UL924 N/C Shunt Relay 120/277V, 20A SPST with 277VAC Coil |

Wiring Diagrams



① Switched by Panel when Normal Power is available. Held ON when Normal Power is not available and Emergency Power is available

General Specifications

# Relays & Contact Type	One (1) SPST Continuous Duty Electrically Held Coil
Contact Ratings	1500 VA Tungsten @ 120VAC 20 Amp Ballast @ 120/277VAC 2 HP @ 277VAC 1 HP @ 120VAC
Coil Current	0.06 A @ 120VAC 0.06 A @ 277VAC
Coil Voltage Input	UL924SR1: 120VAC; 60Hz UL924SR2: 277VAC; 60Hz
Operating environment	Indoor use only 32° to 140°F (0° to 60°C) Relative humidity (non-condensing): 0% to 95%
Dimensions	3.75" L x 1.75" W x 1.25" D (95.3mm L x 44.5mm W x 31.8mm D) with mounting ears for 1-gang box
Housing Rating	Plenum, NEMA 1
Flame Rating	UL94V-0
Wires	7", 105° C, 600V Rated
Certifications	UL Listed, UL924
Warranty	Five-year limited