

Lighting Controls

DATE: _____ LOCATION: _____

TYPE: _____ PROJECT: _____

CATALOG #: _____

LOW VOLTAGE EMERGENCY TEST BUTTON

EMERGENCY LIGHTING CONTROLS

FEATURES

- Attractive Flush mount design
- Stainless Steel Latching button
- Optional illuminated pilot button
- Low Voltage 24VDC
- Wall plate factory labeled
- Compatible for use with select Current Lighting Emergency controls: ALCR1277 and NXRC-UL924-UNV*

*ALCR1277 only compatible with Non-Pilot version / NXRC-UL924-UNV only compatible with Pilot Light version



LVS-ERTB-PL-WH



LVS-ERTB-NP-WH



SPECIFICATIONS

CONSTRUCTION

- High impact polycarbonate cover plate, stainless steel button switch
- Available only in white
- 3.15"W x 4.94"H x .25"D
- 2.9 oz (82g)

MOUNTING

- Mounts to standard single-gang switch box, Raco 500 series or equivalent

ELECTRICAL

- Class 2 Low Voltage 24 VDC
- 3 Amp Maximum current

OPERATION

- Rated for Indoor Use Only
- Operating Temperature: -4° to 131°F (-20° to 55°C)
- Relative humidity (non-condensing): 0 to 95%

CERTIFICATIONS

- UL
- IP67

WARRANTY

- 5 year limited

ORDERING GUIDE

Example: LVS-ERTB-PL-WH

CATALOG #

Model	Button Type	Pilot Light	Color
LVS Low Voltage	ERTB Emergency Remote Test Button	PL Pilot Light ¹ NP Non-Pilot Light ²	WH White

Notes:

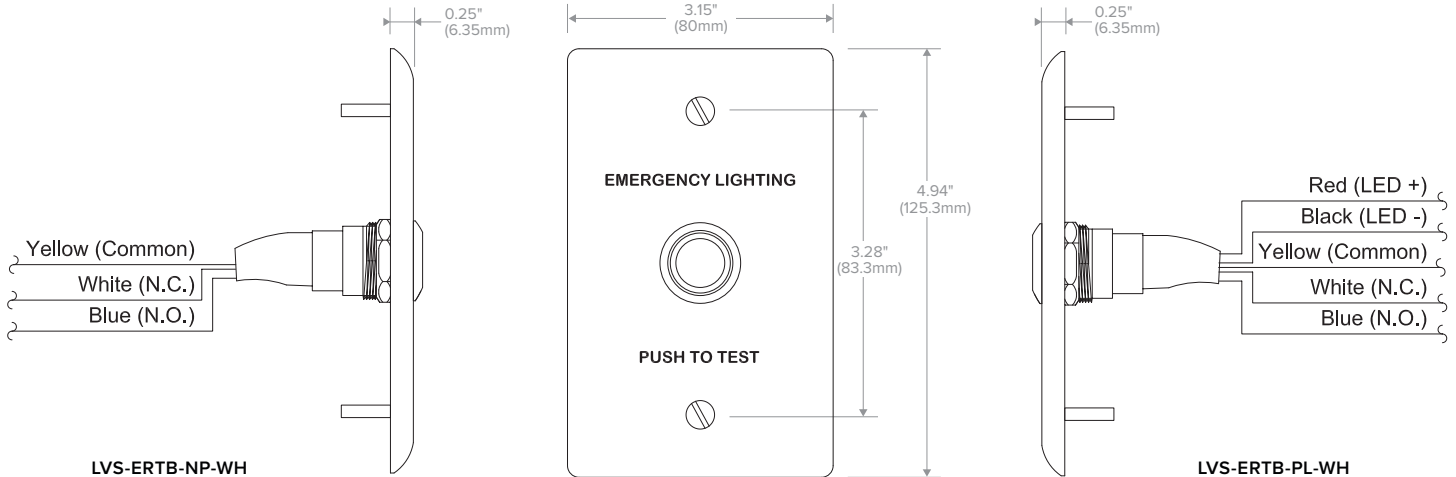
- NXRC-UL924-UNV only compatible with Pilot Version (PL)
- ALCR1277 only compatible with Non-Pilot Version (NP)

Lighting Controls

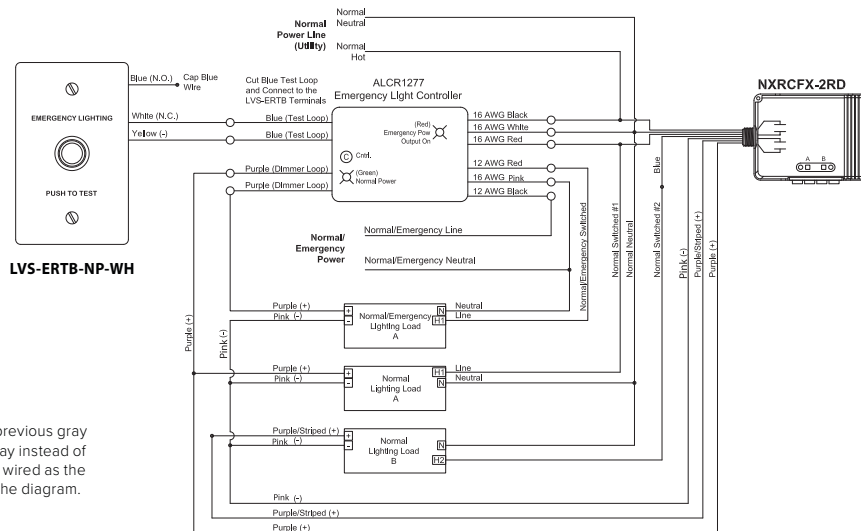
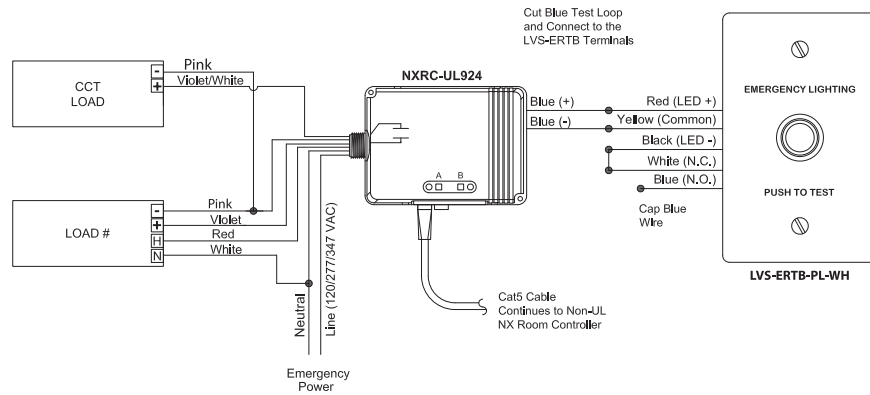
LOW VOLTAGE EMERGENCY TEST BUTTON

EMERGENCY LIGHTING CONTROLS

DIMENSIONS



WIRING DIAGRAMS



Pink wire replaces previous gray wire. Units with a gray instead of pink wire should be wired as the pink wire shown in the diagram.