

Banner Arms

ARMS

SPECIFICATIONS

CONSTRUCTION

All cast aluminum parts shall low copper alloy A356. All extruded aluminum parts shall be alloy 6061-T6, 6063-T5 or equal.

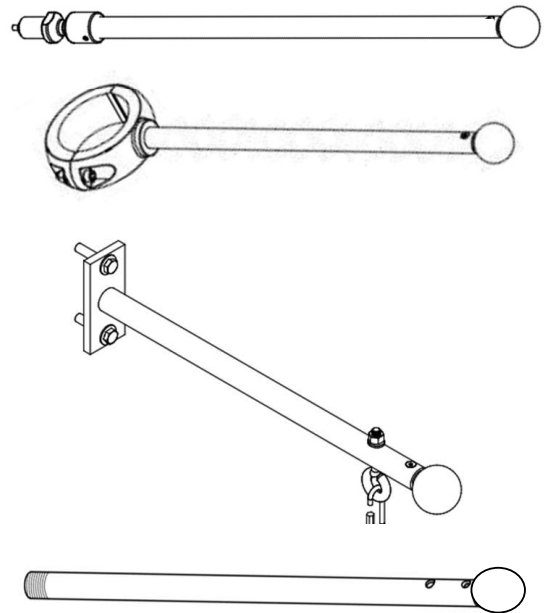
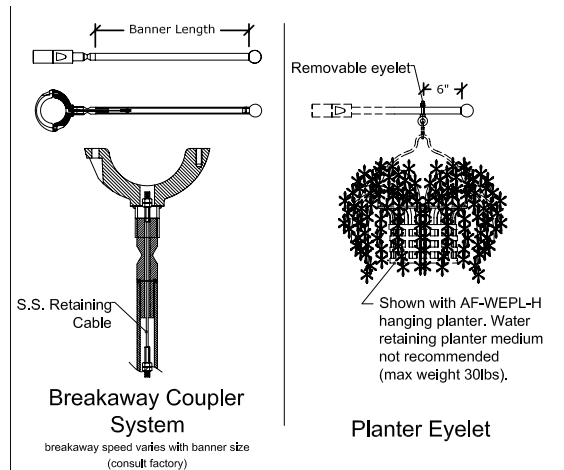
FASTENERS

All fasteners shall be stainless steel. When tamper resistant fasteners are required, spanner HD (snake eye) style shall be provided (special tool required, available at additional cost), consult factory for availability.

FINISH

Finish shall be Beacote III polyester powdercoat electrostatically applied and thermocured. Poles shall be subjected to chemical pre-treatment prior to painting by immersion process.

OPTIONS



ORDERING GUIDE

Example: AA-0024-4MTC-BA-BKT

CATALOG #

Series	Length	Mounting	Options	Finish
AA-00	18 18"	4MTC Mounting Collar for 4 inch shaft	BA Breakaway coupler system* PA Removable planter eyelet* 2X Two banner arms at 180°	BLT Black Matte Textured
	20 20"			BLS Black Gloss Smooth
	22 22"	5MTC Mounting Collar for 5 inch shaft		DBT Dark Bronze Matte Textured
	24 24"	6MTC Mounting Collar for 6 inch shaft		DBS Dark Bronze Gloss Smooth
	30 30"			GTT Graphite Matte Textured
	BO Bolted Connection	LGT Light Grey Gloss Textured		
	TO Threaded Connection	LGS Light Grey Gloss Smooth		
			PSS Platinum Silver Smooth	
			WHT White Matte Textured	
			WHS White Gloss Smooth	
			VGT Verde Green Textured	
			Color Option	
			CC Custom Color	

Notes:
 * Consult factory
 * TO requires couplings to connect arm to pole - ordered separately

BANNER ARMS MOUNTING STYLES

