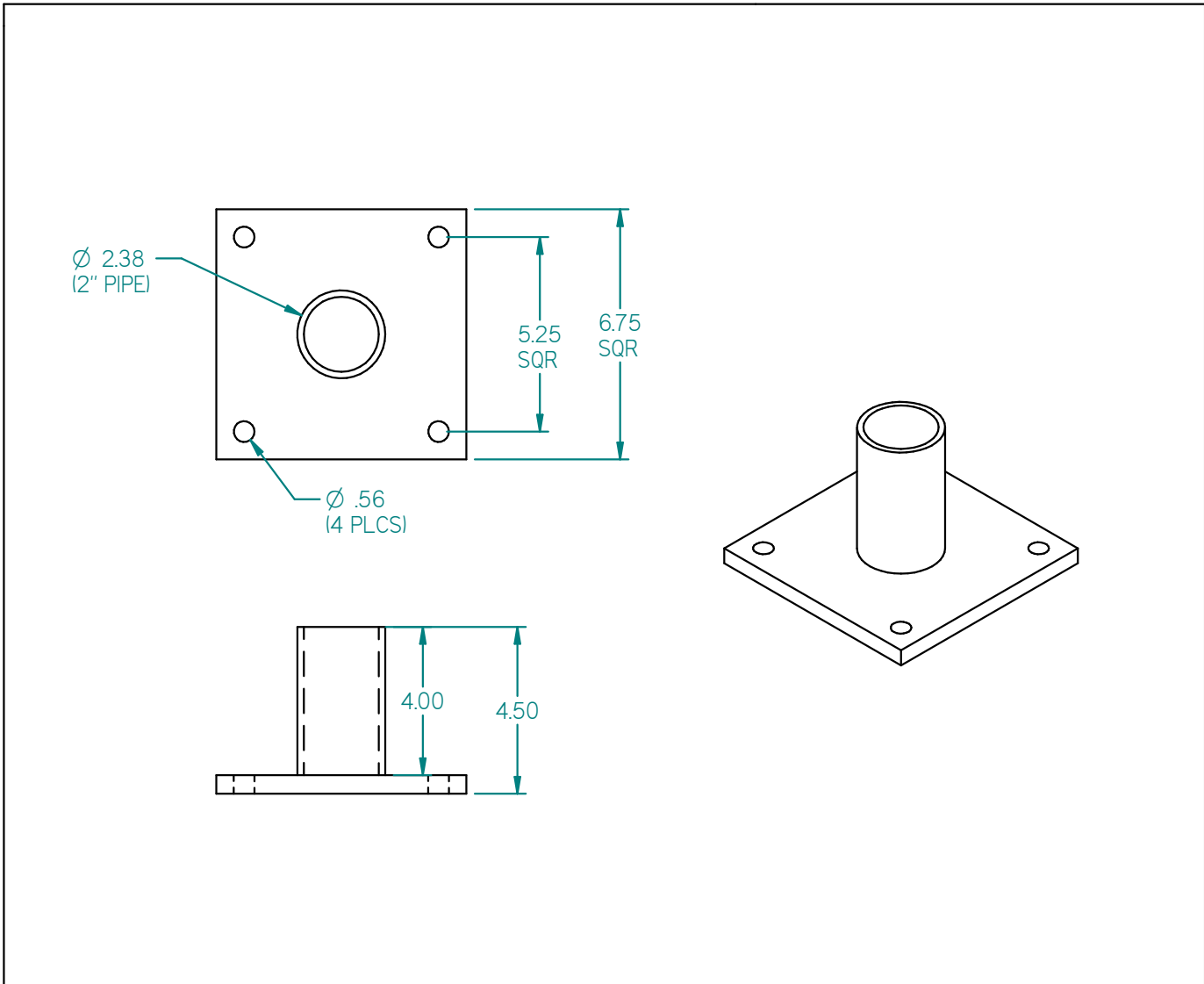


# AFB-1 - Flat Surface Bracket

TENON BRACKETS AND ARMS ACCESSORY



**Mounting Notes:**

1. Place accessory onto mounting surface in desired position and mark surface for (4) mounting holes.
2. At marked positions, drill and install (6) 1/2" anchors that are appropriate for the surface material.
3. Place accessory onto mounting surface and align with anchors.
4. Using (4) 1/2" fasteners, secure accessory to mounting surface.

**Shipping Package Contents:**

AFB1 Bracket (1)  
*Mounting Hardware NOT Provided*

**Material:** Aluminum  
**Finish:** Natural Aluminum  
**Weight:** 8 lbs