



AH2A Series

High Bay Lighting Hazardous Environments

The **Albeo® AH2A** LED fixture offers hazardous location lighting for a variety of demanding environments. Designed to retrofit to existing Hazardous HID mounting kits. Contact factory for more details. Also, suitable for new construction with purchase of mounting hardware. Perfect for high ambient temperatures & wet locations, the AH2A offers a rugged design with exceptional performance & reliability characteristic of Albeo luminaires.

Construction

Housing:	Low Copper A356 Cast Aluminum
Lens:	Polycarbonate or Tempered Glass
Paint:	Powder coat painted housing.*
Weight:	Up to 19lb (8.62kg)
Optical Assembly:	Reflective optics with flat lens

* No glass in housing or lenses if polycarbonate option is chosen

Optical System

Lumens:	5000 - 18000
Distribution:	360°, 180°, or Wide Distribution
Efficacy:	Up to 179 LPW
CCT:	4000K & 5000K
CRI:	70

Electrical

Input Voltage:	120-277 V, 347 V, & 480 V
Input Frequency:	50/60Hz
Power Factor (PF)*:	>90%*
Total Harmonic Distortion (THD)*:	<20%*
EMI:	FCC CFR Title 47 Part 15, Class A
Surge Protection:	10kV/5kA Surge Protection
LED Driver Type:	Class 1

* PF and THD may vary with options

Ambient Temperature

TYPE	TEMPERATURE RATE
OPERATING TEMPERATURE	-40°C to +65°C (-40°F to 149°F)
STORAGE TEMPERATURE	-40°C to +70°C (-40°F to 158°F)

Lumen Maintenance

LXX(10K) @ Hours	100,000 HR
L70	

Mounting

- **Typical Mounting:** Designed to retrofit to existing Hazardous HID mounting kits. Contact factory for more details.
- **New Construction:**
 - Pendant Mount, Flexible Pendant Mount, Wall Mount & Stanchion Mount available
 - Mounting ships separately to allow easy installation flow at the jobsite. Must order mounting kit for new construction installations.

Design Life & Warranty

- **UL1598 Wet Location**
- **UL1598A Outside Type (Saltwater)**
- **UL844 Listed**
 - Class I Division 2 Groups A, B, C, & D
 - Class II Division 1, Groups E, F, & G (Glass lens only)
 - Class II Division 2, Groups F & G
 - Class III Divisions 1 & 2
 - Simultaneous Presence
- **UL8750 LED Equipment in Lighting Products**
- **CAN/CSA C22.2 No. 137-M1981 Listed**
- **NEMA 4X Enclosure Type**
- **IP66 Ingress Protection Rating**
- **Current's Limited 5-year Warranty:** See website.

AH2A Series

High Bay Lighting Hazardous Environments

CUSTOMER NAME

Project Name _____

Date _____ Type _____

Catalog Number _____

Ordering Information

New Construction = Fixture + mount EX: AH2A005473CNQG + H2000-3P

Retrofit = Fixture only EX: AH2A508571GWQG

AH2A

Q W

PRODUCT ID	VOLTAGE	LUMEN OUTPUT	CRI	OPTICS	LENS	WIRE GUARD	CONTROL WIRING	FINISH
AH2A = Albeo® HAZARDOUS AH2 1 ST Gen	O = 120-277V 5 = 480V D = 347V	O5 = 5,000lm O8 = 8,000lm 18 = 18,000lm	70 Plus CRI 47 = 4000K 57 = 5000K	3 = 360° 1 = 180° W = Wide	C = Clear Polycarbonate ¹ G = Glass (Tempered) ²	N = None W = Wire Guard	Q = None	G = Gray

ORDERING NOTES:

1. Class II Division 2 only
2. Class II Division 1

70 CRI @ 5000K CCT				
LUMEN PACKAGE	TYPICAL DELIVERED LUMENS	TYPICAL POWER 120-277V	TYPICAL POWER 340-480V	TYPICAL LPW 120-277V
O5	5,600	34	37	164
O8	8,300	53	57	157
18	18,100	101	102	179

OPTIC CODE	OPTIC DESCRIPTION	OUTPUT
3G	360° Glass	100%
1G	180° Glass	93%
WG	Wide Glass	92%
3C	360° Polycarbonate	98%
1C	180° Polycarbonate	91%
WC	Wide Polycarbonate	90%

MAXIMUM AMBIENT TEMP	5000 LM	8000 LM	18000 LM
45°C	T5	T5	T5
65°C	T4A	T4A	T4A

Temperature Code - Reference Information

Mounting and Accessory Options

SKU	MOUNTING CAT#	IMAGE	DESCRIPTION	APPROXIMATE NET WEIGHT
210407	H2000-3C		Ceiling Mount ¾" NPT	3.5 lbs
22277	H2000-5J		Angle Stanchion 1-¼" NPT	5.0 lbs
16185	H2000-6J		Angle Stanchion 1-½" NPT	5.0 lbs
23736	H2000-3P		Pendant ¾" NPT	3.5 lbs
23065	H2000-5S		Straight Stanchion 1-¼" NPT	6.7 lbs
16908	H2000-6S		Straight Stanchion 1-½" NPT	6.7 lbs
23940	H2000-3W		Wall Mount ¾" NPT	5.0 lbs

AH2A Series

High Bay Lighting Hazardous Environments

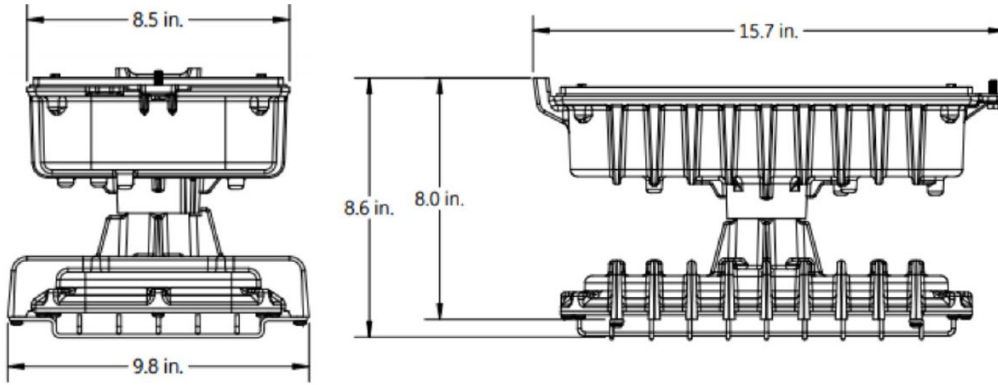
CUSTOMER NAME

Project Name _____

Date _____ Type _____

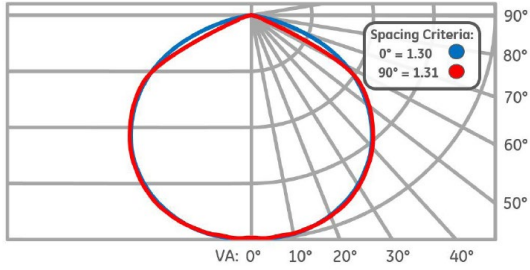
Catalog Number _____

Product Dimensions

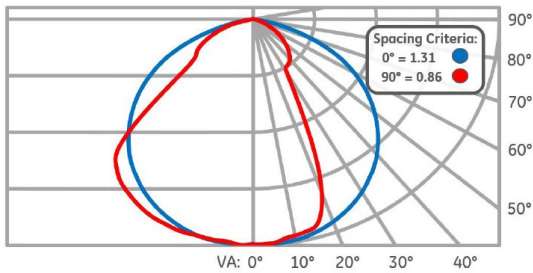


Photometric Data

3C or 3G
360° Optic



1C or 1G
180° Optic



WC or WG
Wide Optic

