

Albeo® ALV2 Series

LED Linear Industrial Low Bay

The **Albeo® ALV series** Gen 2 LED luminaire is an energy-efficient, cost effective linear led "strip" fixture for a variety of commercial/industrial, low bay and stairwell applications. This product can be matched with Daintree® motion, daylight and wireless controls from stand alone operation, zone based control or fully networked solutions for increased energy savings. ALV2 is designed for total cost of ownership over the product lifetime. Drivers are designed with 10 year, 100,000 hour components, where a B0 failure rate (designed for zero failures at ten years) can be expected. From "one screw" belly pans to simple, plug in continuous run links, ALV2 installs quickly and easily with no surprises.



CONSTRUCTION

Housing:	Steel body
Lens:	Polycarbonate diffused
Paint:	White Prepaint <i>No glass in housing or lenses</i>
Weight:	4 ft. - 11lbs max; 8 ft. - 19lbs max

PERFORMANCE

Distribution:	120° Diffused Lens
Lumens:	2,000 –16,000 lumens
Efficacy:	Up to 160 LPW
CCT:	3000K, 3500K, 4000K, 5000K
CRI:	80 CRI Standard (90CRI Contact factory for lead-times)

ELECTRICAL

Input Voltage:	120–277V, 347V, or 480V
Input Frequency:	50/60 Hz
LED Driver Type:	Class 2, 3kV surge protection
Power Factor (PF)*:	>0.9*
Total Harmonic Distortion (THD)*:	<20%*
EMI:	FCC CFR Title 47 Part 15, Class A

* PF and THD may vary with options

CONTROLS

High-end trim, occupancy and ambient light detection with dimming available. Wireless Daintree® options available.

DLC 5.1 Integrated/embedded networked lighting control,
LLLC: luminaire-level lighting control (LLLC)

LUMINAIRE AMBIENT TEMPERATURE

TYPE	TEMPERATURE RATE
OPERATING TEMPERATURE	-30°C to +45°C (-22°F to 113° F)
STORAGE TEMPERATURE	-40°C to +70°C (-40°F to 158° F)

LUMEN MAINTENANCE

LXX(10K) @ Hours 100,000 HR
L70
TM-21 Calculation at 25°C: L90 @ 100,000 hrs* <small>*L85 @ 100,000 hrs for 4T10 and 8T20 configurations</small>

ADDITIONAL FEATURES

- **Typical Mounting:** Standard Chain/Cable or Surface mount ready
- **Standard:** knockout access (no cord, no plug)
 - 6 ft. 18-3 – Cord A
 - 12 ft. 18-3 – Cord B
 - 15A, 20A, Straight or twist lock plug – Plug A, B, C, or D

DESIGN LIFE & WARRANTY

- **Reliability Testing:** Components and/or systems evaluation at extreme conditions and monitored during production.
- Please refer to the DLC QPL website for the latest and most complete information: <http://www.designlights.org/QPL>
- UL 1598 Suitable for Damp Locations
- RoHS compliant
- **Current's Limited 5-year Warranty:** See website.

CUSTOMER NAME

Project Name _____

Date _____ Type _____

Catalog Number _____

ORDERING INFORMATION:

ALV2

T

W

PRODUCT ID	VOLTAGE	FIXTURE LENGTH	LUMEN OUTPUT	PERFORMANCE LEVEL	LED COLOR TEMP	OPTICS BEAM	FIXTURE TYPE	SENSOR/WIRELESS	CONTROL WIRING	EMERGENCY	MOUNTING	CORD	PLUG	FINISH	OPTIONS
ALV2 = Albeo Linear Value Series 2 nd Gen	0 = 120-277 1 = 120* 4 = 277* D = 347* 5 = 480*	4T = 4 ft	02 = 2,000 03 = 3,000 04 = 4,000 05 = 5,000 06 = 6,000 08 = 8,000	T = Standard Efficiency	80 Plus CRI 38 = 3000K C8 = 3500K 48 = 4000K 58 = 5000K 90 Plus CRI 39 = 3000K C9 = 3500K 49 = 4000K 59 = 5000K	1D = 120° Diffused Lens	S = Stand Alone C = Continuous Runs <i>Note = For Continuous Runs, Starter Kit 93095878 must be ordered for each run.</i>	Q = None A = Occ Sense On/Off 360° LSXR B = Occ Sense High-Low Dimming 360° LSXR P = Daylight Sense W/ Occupancy On/Off LSXR S = Daylight Sense W/Occupancy High/Low LSXR W = Bi-Level Dimming/Stairwell Setting Sensor Full Featured 1 = 20' Motion Sensor FSP221 W/Daylight & High/Low Dimming 2 = 40' Motion Sensor FSP221 W/Daylight & High/Low Dimming (Requires remote to modify default settings sold separately) Daintree® EZ Connect¹: DF = Occupancy & Ambient light sensor w/ Continuous Dimming Daintree® One: FB = Occupancy & Ambient Light Sensor with Continuous Dimming Daintree® Networked: NA = Occupancy & Ambient Light Sensor, w/ Continuous Dimming (full feature) TQ ³ = Wireless Daintree® Enabled (no sensor)	Q = No 0-10V dimming V = External 0-10V Control Wires <i>Note = V option not available with dimming & ZigBee sensors</i>	Q = None E = Battery Backup <i>Note = Battery Backup not available at 347/480V</i>	ST = Standard 51 = Cable/Tongle 5ft. 52 = Cable/Tongle 10ft. 53 = Cable/Tongle 15ft. 54 = Cable/Tongle 20ft	K = Knockout A = 6ft. 18ga cord B = 12ft. 18ga cord	Q = None A = 15A Straight Plug B = 20A Straight Plug C = 15A Twistlock Plug D = 20A Twistlock Plug	W = White Powder Coat	Blank = No Special Options 1PK = Single Pack (For distributor stocking. Default is job pack not 1PK).
	*Specify single voltage if plug, sensor, or wireless needed.	8T = 8 ft	04 = 4,000 06 = 6,000 08 = 8,000 10 = 10,000 12 = 12,000 16 = 16,000												

80 CRI @ 5000K CCT						
FIXTURE LENGTH	OUTPUT LUMENS	TYPICAL DELIVERED LUMENS	TYPICAL POWER		TYPICAL LPW 120-277V	MAX AMBIENT TEMP (°C)
			120-277V	347/480V		
4 ft	2,000	2,000	14	16	143	45°C
4 ft	3,000	3,000	20	22	150	
4 ft	4,000	4,000	26	29	154	
4 ft	5,000	4,900	33	36	148	
4 ft	6,000	5,900	41	44	144	40°C
4 ft	8,000	7,700	59	67	131	
8 ft	4,000	4,000	25	28	160	
8 ft	6,000	6,000	38	41	158	
8 ft	8,000	7,900	52	60	152	45°C
8 ft	10,000	9,800	67	75	146	
8 ft	12,000	11,700	83	91	141	
8 ft	16,000	15,600	119	129	131	

ORDERING NOTES:

- DF, FB, and NA only available for Stand Alone fixture type.

CRI	CCT	T OUTPUT
80 CRI	5000K	100%
	4000K	98%
	3500K	97%
	3000K	93%
90 CRI	5000K	89%
	4000K	85%
	3500K	83%
	3000K	81%

ACCESSORIES, OPTIONS & PACKAGING	
Emergency Battery:	Integral EM battery option provides 90-minutes of emergency lighting. Design lumen output: 2000lm at 5000K 80CRI.
Packaging:	Standard packaging is job pack/bulk pack consisting of 1 to 4 fixtures per package reducing unpack time at the job site. Single Pack (for stocking)—Option 1PK
Wire guards:	White painted wire guard for added protection. Easy field installation. SKU# 93095697 <i>Two kits needed for 8ft fixtures</i>
Continuous Run:	One starter kit needed per run. SKU# 93095878. Each kit includes endcaps, starter whip, and male/female orientation adapter.

CUSTOMER NAME

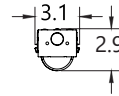
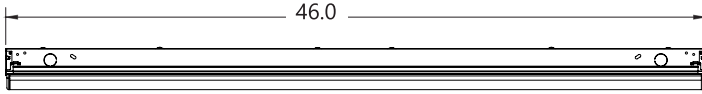
Project Name _____

Date _____ Type _____

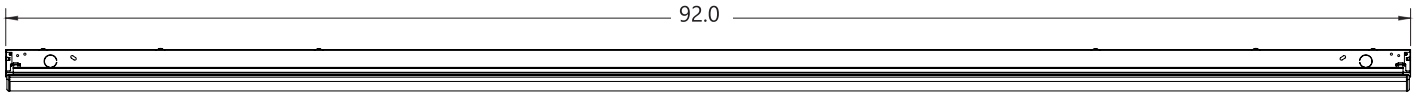
Catalog Number _____

ALV2 SERIES MODULAR FIXTURE

4 Ft.



8 Ft.

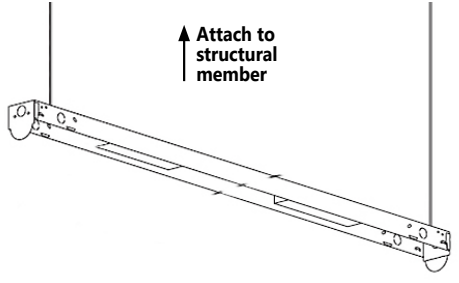
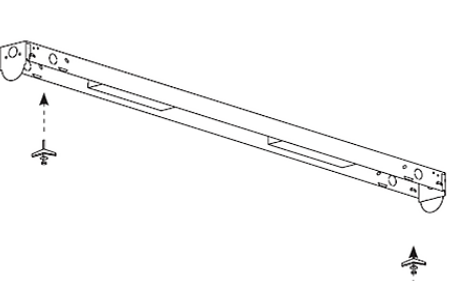
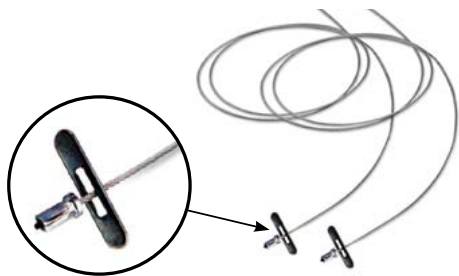


CUSTOMER NAME

Project Name _____

Date _____ Type _____

Catalog Number _____

MOUNTING OPTIONS	IMAGE	ORDER LOGIC CODE
<p>Standard Chain/Cable Mount Available on all fixture configurations (chain not included). Cable w/ hook can be ordered as an accessory.</p>		<p>ST = Standard</p>
<p>Surface Mount (Optional) Available on all fixture configurations. Standard mounting option is surface mount ready.</p>		<p>ST = Standard</p>
<p>Cable with Toggle (Optional) Order separately. 5 ft., 10 ft., 15 ft., 20 ft. lengths available.</p>		<p>51 = Cable/Toggle 5 ft. - Pair SKU#: PRT0154</p> <p>52 = Cable/Toggle 10 ft. - Pair SKU#: PRT0155</p> <p>53 = Cable/Toggle 15 ft. - Pair SKU#: PRT0156</p> <p>54 = Cable/Toggle 20 ft. - Pair SKU#: PRT0157</p> <p>Max Load 200 lbs. Per Pair</p>