



CUSTOMER NAME _____

Project Name _____

Date _____ Type _____

Catalog Number _____

AHG Series

LED Hazardous Location Luminaire

The **Albeo® AHG** LED fixture is an enclosed and gasketed hazardous location LED product. AHG is standard Class 1, Division 2, Groups A, B, C and D. It is offered in 4' and 8' lengths with lumen packages ranging from 5,000-16,000 lumens.

Construction

Housing: Formed UL 5VA fiberglass.

Lens: Frosted acrylic

Paint: White painted parts

Optical System

Lumens: 5000 – 16,000

Wattage: 47-136 Watts

CCT: 3000K, 3500K, 4000K, & 5000K

CRI: 80

Electrical

Input Voltage: 120-277V, 347V, and 480V

Features & Benefits

- QR code label affixed to housing for easy traceability.
- Shielding - Lineal ribbed frosted acrylic lens impact modified equivalent to 100% DR; modification adds flexibility to reduce impact breakage compared to standard acrylic formulations. Optional ribbed polycarbonate lens or deep acrylic. All lenses available in clear or frost.
- F1 weatherability rating, suitable for indoor or outdoor use with respect to exposure to UV light. Pour-in-place non-porous gasketing assures seal. LED affixed to removable heat sinked gear tray. 14 Latches per 8', 8 per 4'. Latches are provided tamper resistance ready, tamper resistant screws by others. Latches are standard polyacetal (POM), optional in stainless steel. Access openings are provided for electrical connection.
- Removable gear tray electrical access for modular replaceability

Controls

Dimming: Continuous 0–10V Dimming option available

Ambient Temperature

TYPE	TEMPERATURE RATE
OPERATING TEMPERATURE	-40°C to +40°C (-40°F to 104° F)

Lumen Maintenance

LXX(10K) @ Hours 60,000 HR
L80

Mounting

- **Typical Mounting:** Surface. Includes mounting brackets.

Design Life & Warranty

- CSA tested to UL1598
- Class I, Division 2, Group A, B, C & D
- Ingress protection IP65 and IP67 standard. IP66 standard when polyacetal (POM) latches are used.
- **Current's Limited 5-year Warranty:**
Please visit LED.com for additional information.



AHG Series

LED Hazardous Location Luminaire

CUSTOMER NAME _____

Project Name _____

Date _____ Type _____

Catalog Number _____

Ordering Information

AHG

PRODUCT ID	VOLTAGE	SIZE	CCT	LUMEN OUTPUT	OPTICS/LENS	OPTIONS
AHG = Hazardous LED Enclosed and Gasketed	0 = 120-277V	4 = 4ft	30 = 3000K	4ft	RA = Ribbed Diffused Acrylic	SS = Stainless Steel Tamper Resistance Ready Latches
	D = 347V	8 = 8ft	35 = 3500K	05 = 5000	RC = Ribbed Clear Acrylic	TP = Tamper Proof Latches
	5 = 480V		40 = 4000K	06 = 6000	DA = Diffused Acrylic	AA = 3 Wire 8' Wet Cord
			50 = 5000K	08 = 8000	DC = Clear Acrylic	AB = 3 Wire 15' Wet Cord
				8ft	RP ¹ = Ribbed Diffused Polycarbonate	PB ² = Dual Pendant Brackets (pendant by others)
				10 = 10000		EL14 ³ = Emergency Battery Pack, 1400 Lumens
				12 = 12000		
				16 = 16000		

1 4' only. 8' not available.

2 Requires 3/8" OD threaded rod by others.

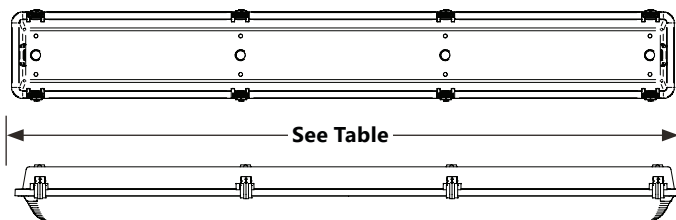
3 EL14 option uses Bodine BSL310HAZ emergency battery.

SIZE	LUMEN PACKAGE	NOMINAL LUMEN RANGE (DA LENS)	NOMINAL WATTS	LUMENS/WATT (HIGHEST)	MAX TEMP
4'	05	4850-5350	47	114	40° C
	06	5800-6400	52	123	40° C
	08	7350-8150	68	120	40° C
8'	10	9700-10700	94	114	40° C
	12	11600-12800	104	123	40° C
	16	14700-16300	136	120	40° C

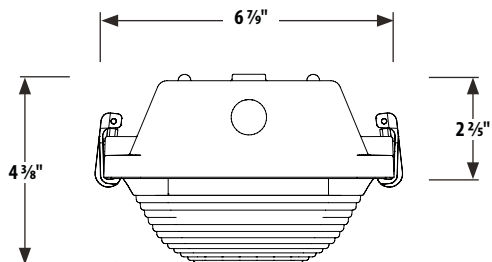
ACCESSORIES (ORDER SEPARATELY)	
CH	Chain Hanger Kit (Includes 14" Chain)
MB	45° Mounting Bracket
MBS	45° Stainless Steel Mounting Bracket

Lumens vary according to color temperatures and other factors. See specific photometric test(s). Output levels based on the DA lens option.

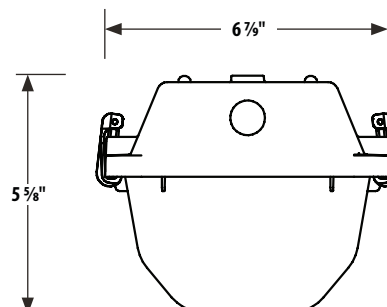
Product Dimensions



AHG LENGTH DIMENSIONS					
SIZE	LENS	LENGTH	SIZE	LENS	LENGTH
4'	RC, RA	512 ³ / ₈ "	8'	RC, RA	100"
	RP	512 ³ / ₈ "		RP	N/A
	DA, DC	512 ³ / ₈ "		DA, DC	100"



RC, RA Lens: 4', 8', RP Lens: 4'



DA, DC Lens: 4', 8'

NOTE: All dimensions are in inches; dimensions and specifications are subject to change without notice. Please consult factory or check sample for verification.

AHG Series

LED Hazardous Location Luminaire

CUSTOMER NAME _____

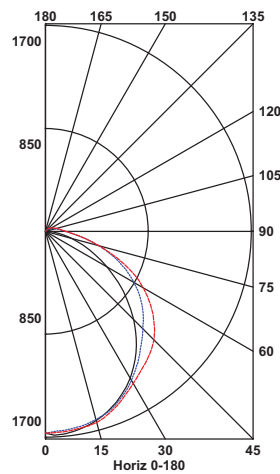
Project Name _____

Date _____ Type _____

Catalog Number _____

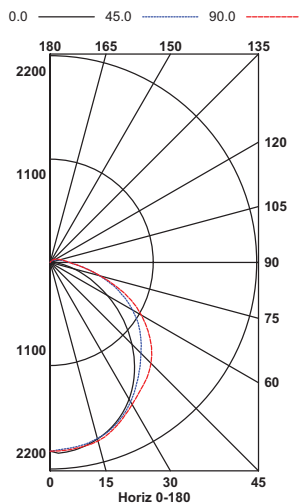
Photometric Data:

AHG 4' MED LUMEN
80 CRI
4000K
 5427 LM
 AHG04005DA



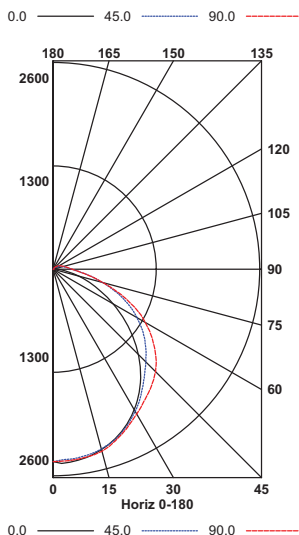
ZONE	LUMENS	% FIXT.
0-30	1306	24.1
0-40	2141	39.5
0-60	3846	70.9
0-90	5148	94.9
0-180	5427	100.0

AHG 4' HIGH LUMEN
80 CRI
4000K
 6535 LM
 AHG04006DA



ZONE	LUMENS	% FIXT.
0-30	1575	24.1
0-40	2580	29.5
0-60	4638	70.8
0-90	6194	94.8
0-180	6535	100.0

AHG 4' VERY HIGH LUMEN
80 CRI
4000K
 7876 LM
 AHG04008DA



ZONE	LUMENS	% FIXT.
0-30	1899	24.1
0-40	3114	39.5
0-60	5588	71.0
0-90	7461	94.7
0-180	7876	100.0