



CUSTOMER NAME _____

Project Name _____

Date _____ Type _____

Catalog Number _____

Albeo® PHB1A Series

Selectable Lumen & CCT Linear High Bay

The **Albeo® PHB Series** Linear High Bay offers maximum flexibility with two field-selectable lumen packages across two fixture sizes, paired with a universal 120–347V driver with 0–10V dimming. Multiple optic options and optional integrated or field-installed sensors provide advanced control capabilities including occupancy detection, daylighting, and energy-saving functions.



CONSTRUCTION

Housing:	Die-cast Aluminum
Lens:	Diffused Polycarbonate
Weight:	Size 1X: 4.6 lbs (2.1 kg) Size 2X: 7.7 lbs (3.5 kg)

PERFORMANCE

Distribution:	Narrow, Medium, and Wide
Lumens:	1X: Selectable 16,000 / 19,000 / 22,000 2X: Selectable 27,000 / 32,000 / 36,000
Efficacy:	Up to 155 LPW
CCT:	Selectable 3500K / 4000K / 5000K
CRI:	80

ELECTRICAL

Input Voltage:	120–347V; 480V
Input Frequency:	50/60 Hz
Power Factor (PF)*:	>90%*
Total Harmonic Distortion (THD)*:	>20*
Color Rendering Index	>80
EMI:	FCC CFR Title 47 Part 15, Class A
LED Driver Type:	6kV surge protection

* PF and THD may vary with options

CONTROLS

Sensors:	Field installable PIR Occupancy Sensor
Dimming:	0–10V Dimming to 10%

LUMINAIRE AMBIENT TEMPERATURE

TEMPERATURE RATE
–40°C to +50°C (–40°F to 122° F)

LUMEN MAINTENANCE

LXX(10K) @ Hours
100,000 HR
L70

ADDITIONAL FEATURES

- **Typical Mounting:** Each fixture comes standard with 3' chain and v-hooks included in the box.
- Surface and pendant mount accessories available
- Optional sensor remote accessory allows daylight and dimming sensor capabilities to be enabled and programmed

DESIGN LIFE & WARRANTY

- **Reliability Testing:** Components and/or systems evaluation at extreme conditions and monitored during production
- UL 1598 to US and Canadian Standards Suitable for Damp Locations
- **Current's Limited 5-year Warranty:**
See Product Warranties section at led.com/resources





Albeo® PHB1A Series

Selectable Lumen & CCT Linear High Bay

CUSTOMER NAME _____

Project Name _____

Date _____ Type _____

Catalog Number _____

ORDERING INFORMATION

PHB1A

08

PRODUCT ID	VOLTAGE	SIZE/LUMENS	CCT/CRI	OPTICS	CONTROLS
PHB1A = Albeo Linear Highbay	0 = 120–347V 1 = 120V 4 = 277V D = 347V 5 = 480V ^{1,5}	1X = Selectable 16/19/22K 2X = Selectable 27/32/36K	08 = Selectable 3500/4000/5000K (80CRI)	MD = Medium ND = Narrow WD = Wide	QV = 0–10V Dimming OS = WASP2 On/Off Occupancy Sensor & Daylight Daintree® Networked: NA = Occupancy & Ambient Light Sensor, w/ Continuous Dimming (full feature) ⁷ TQ = Wireless Daintree® Enabled (no sensor) ⁷ Daintree® EZ Connect: DF = Occupancy & Ambient light sensor w/ Continuous Dimming ⁷ Daintree® One: FB = Occupancy & Ambient Light Sensor w/ Continuous Dimming ⁷ 3rd Party Options: QA = Occupancy Sensor On/Off 360°, No External Wiring ⁷ QB = Occupancy Sensor Continuous Dimming 360° ⁷ QP = Daylight Sensor w/occupancy On/Off, No External Wiring, Full Featured ⁷

WHITE

MOUNTING	CORD	PLUG ⁹	FINISH	BATTERY OPTIONS OPTIONS	SURGE PROTECTION	DIMMING BYPASS OPTIONS
ST = Standard (V-hooks & 3-ft chain) 10 = 10ft Cable Mount SM = Surface Mount 23 = ¾" Pendant Mount Kit	K = Knockout A = 6ft. 18ga black cord B = 12ft. 18ga black cord C = 15ft. 18ga black cord D = 20ft. 18ga black cord ^{2,3,6,7}	Q = None A = 15A Straight Plug B = 20A Straight Plug C = 15A Twist Lock Plug D = 20A Twist Lock Plug	WHITE = White	blank = No Battery Option E30 = 30W Integrated Emergency Battery Pack, Certified in CA Title 20 ^{4,6}	blank = No Surge Option SP10 = 10kV Surge Protection	blank = No Bypass Options DTS = Dimming Bypass Module
Specialty Modular Cord Sets:						
LE⁸ = ACS - MC Flex3+ 10ft 2EA 10-LW 277/480 #16AWG						
NE⁸ = ACS - MC Flex3+ 12ft 2EA 12-LW 277/480 #16AWG						

ORDERING NOTES:

- 5 available with 10 mount only.
- D with E30 or DTS available with 10 mount only.
- D with NA, FB, DF, TQ, QA, QP, QB available with 10 mount only.
- E30 not available with C mount.
- 2X not available with 5.
- 2X not available with D and E30 or DTS.
- 2X not available with D and NA, FB, DF, TQ, QA, QP, QB.
- Available with voltage 4 or 5 only.
- Must specify discrete voltage. See NEMA Plug Type Table.

MOUNTING AND ACCESSORY OPTIONS (ORDER SEPARATELY)

ORDER SKU #	IMAGE	DESCRIPTION	
<input type="checkbox"/> 93321614		ILH Surface Mount Kit 1. Kit can be used on either size. 2. Not compatible with fixtures that have battery pack installed	
<input type="checkbox"/> 93321615		ILH Pendant Mount Kit 1. Kit can be used on either size. 2. Not compatible with fixtures that have battery pack installed.	
<input type="checkbox"/> 93321609		ILH WG1 - Wire Guard Size 1	
<input type="checkbox"/> 93321613		ILH WG2 - Wire Guard Size 2	
<input type="checkbox"/> 93321617		ILH-1 90D Lens - Medium Lens Size 1	
<input type="checkbox"/> 93321620		ILH-2 90D Lens - Medium Lens Size 2	
<input type="checkbox"/> 93321618		ILH-1 110D Lens - Wide Lens Size 1	
<input type="checkbox"/> 93321621		ILH-2 110D Lens - Wide Lens Size 2	
<input type="checkbox"/> 93321616		ILH-1 65D Lens - Narrow Lens Size 1	
<input type="checkbox"/> 93321619		ILH-2 65D Lens - Narrow Lens Size 2	
<input type="checkbox"/> 93161798			HB03DPR - Plug and Play Sensor Easy plug-and-play install to front face of fixture. Sensor requires remote if programming is desired.
<input type="checkbox"/> 93161799		HB03DPR - Sensor Remote Remote allows default settings to be changed. Remote allows daylight and dimming sensor capabilities to be enabled and programmed.	
<input type="checkbox"/>		Y-CBL-KIT-5FT - 5ft Y-Cable Kit	Y- Cable/ Hooks (Pair) 1. To be installed using V clips included with each fixture. Only requires (1) Y-Cable Hook per fixture.
93075756G		Y-CBL-KIT-10FT - 10ft Y-Cable Kit	
93075552G		Y-CBL-KIT-15FT - 15ft Y-Cable Kit	
93075553G		Y-CBL-KIT-20FT - 20ft Y-Cable Kit	
93075554G			



Albeo® PHB1A Series

Selectable Lumen & CCT Linear High Bay

CUSTOMER NAME _____

Project Name _____

Date _____ Type _____

Catalog Number _____

DELIVERED LUMENS

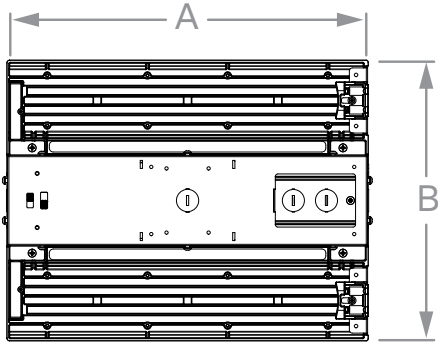
SKU/CATALOG NUMBER	INPUT POWER (W)	LUMEN FLUX (LM)	EFFICACY (LPW)	CCT(K)
PHB 1X, Medium Distribution	110	15500	138	3500
	108	16500	151	4000
	110	16200	146	5000
	130	17800	136	3500
	127	19200	150	4000
	130	18400	142	5000
	150	20000	132	3500
	145	22000	148	4000
	150	21000	138	5000
PHB 2X, Medium Distribution	180	26000	145	3500
	176	27400	155	4000
	180	26800	149	5000
	220	30800	140	3500
	214	32800	154	4000
	220	31700	144	5000
	255	34500	135	3500
	245	36500	150	4000
	255	35200	138	5000

NEMA PLUG TYPE				
VOLTAGE	A (15A STRAIGHT)	B (20A STRAIGHT)	C (15A TWIST LOCK)	D (20 A TWIST LOCK)
120	5-15P	5-20P	L5-15P	L5-20P
277	7-15P	7-20P	L7-15P	L7-20P
347	24-15P	24-20P	N/A	L24-20P
480	N/A	N/A	N/A	L8-20P

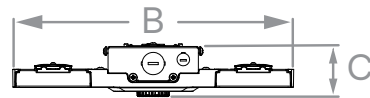
DIMENSIONS

Size 1X

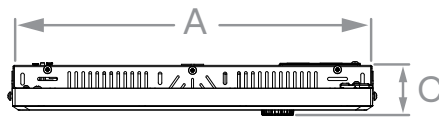
Bottom View



End View



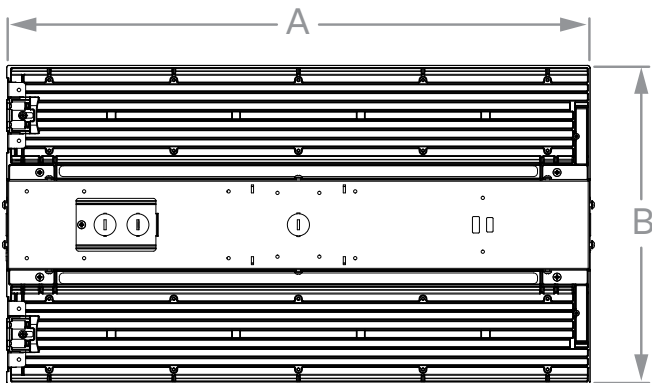
Side View



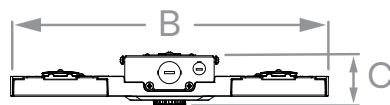
Size	Length (A)	Width (B)	Height (C)
1X	14.2" (361mm)	11.02 (280mm)	2.05" (52mm)
2X	23.1" (587mm)	12.60" (320mm)	2.05" (52mm)

Size 2X

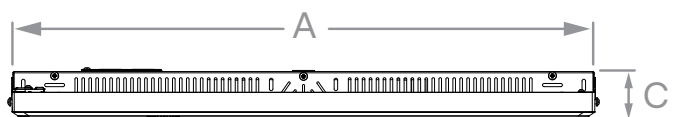
Bottom View



End View



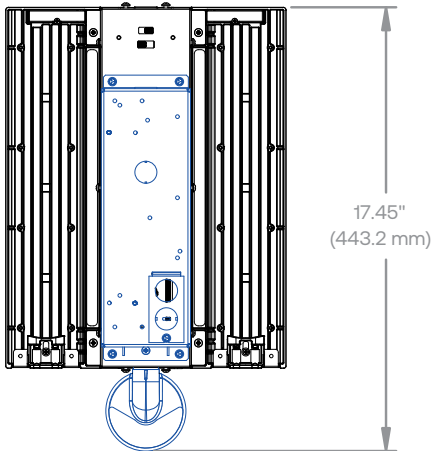
Side View



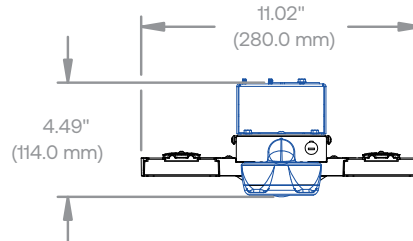
DIMENSIONS CONTINUED

Size 1X Daintree® 120–277V

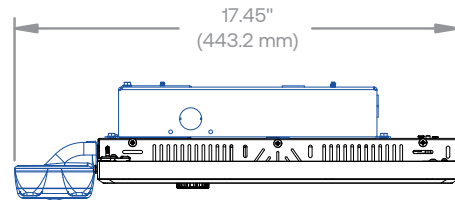
Top View



Front View

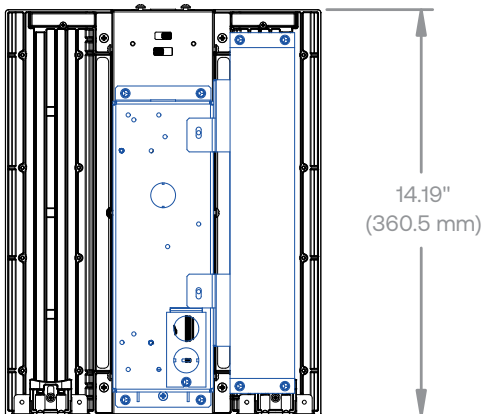


Side View

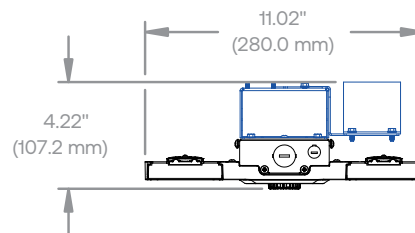


Size 1X 120–277V + EMERGENCY

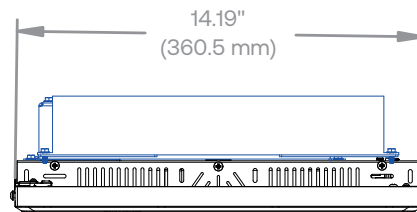
Top View



Front View



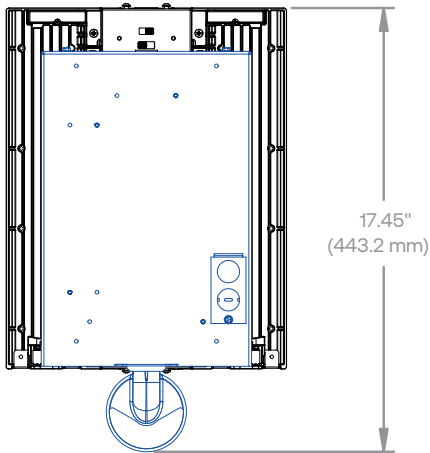
Side View



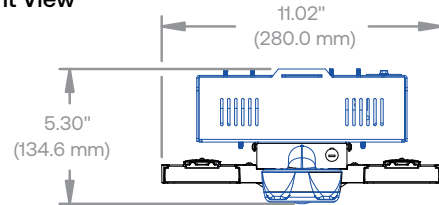
DIMENSIONS CONTINUED

Size 1X Daintree® 347-480V

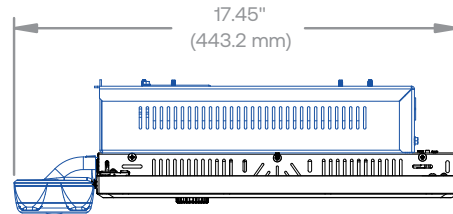
Top View



Front View

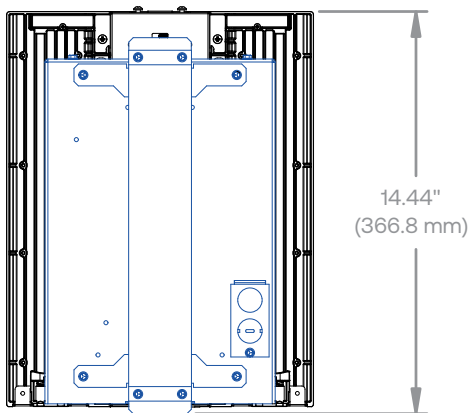


Side View

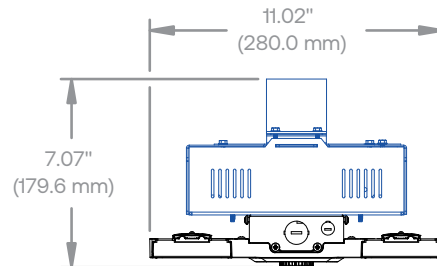


Size 1X 347-480V + EMERGENCY

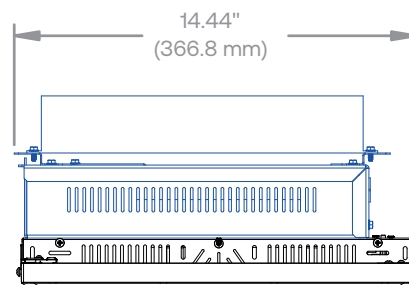
Top View



Front View



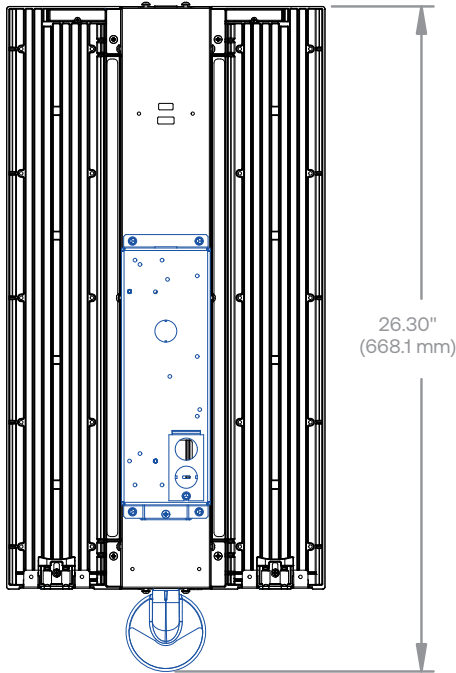
Side View



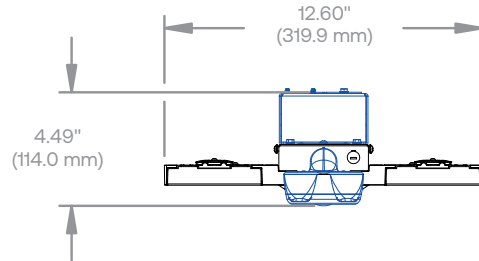
DIMENSIONS CONTINUED

Size 2X Daintree® 120-277V

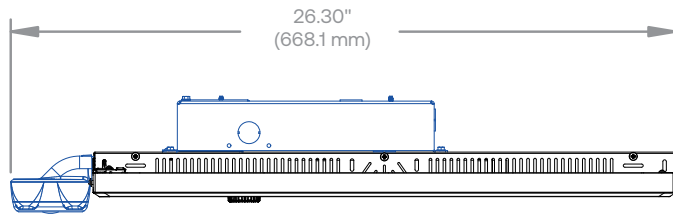
Top View



Front View

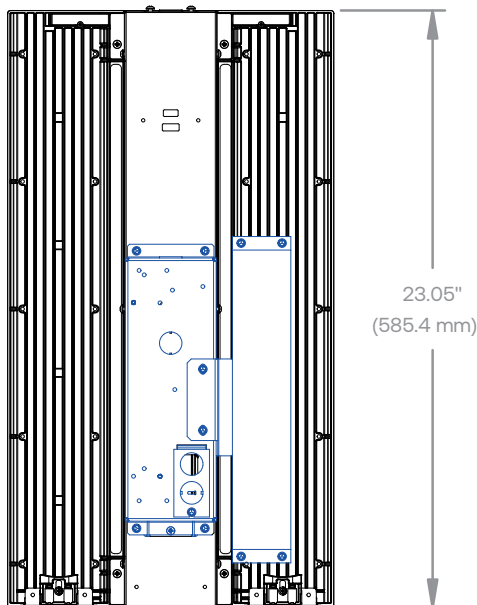


Side View

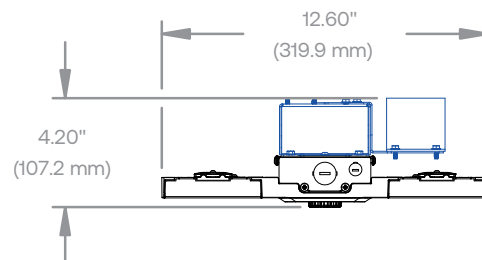


Size 2X 120-277V + EMERGENCY

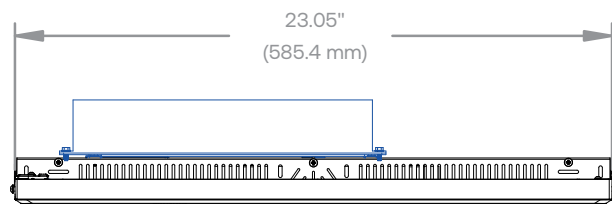
Top View



Front View



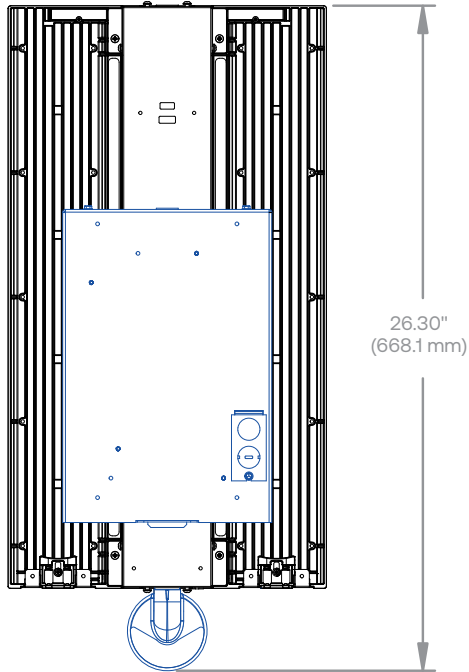
Side View



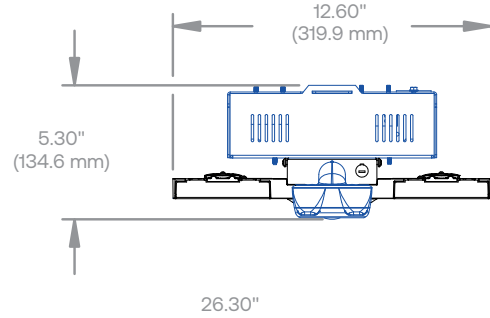
DIMENSIONS CONTINUED

Size 2X Daintree® 347-480V

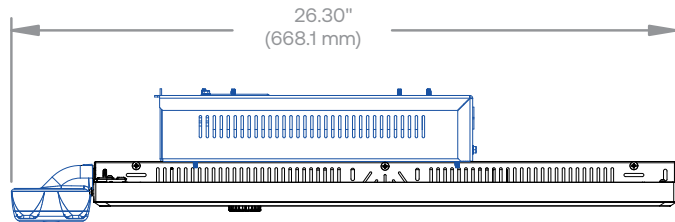
Top View



Front View

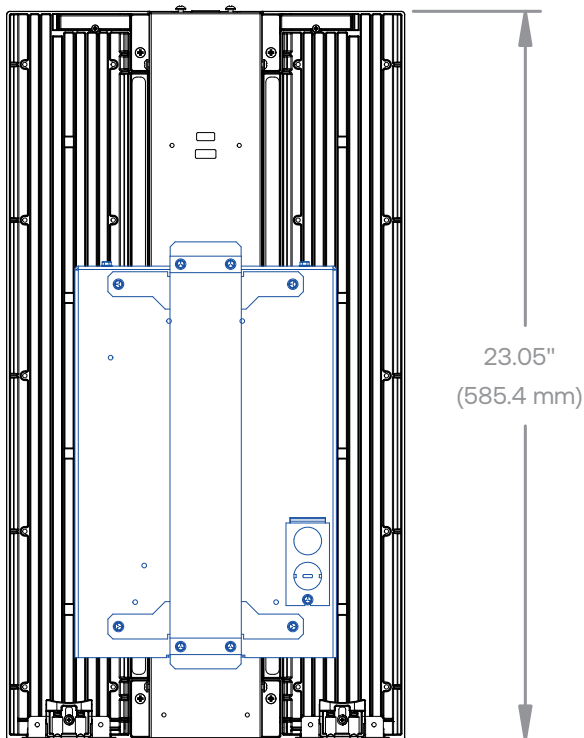


Side View

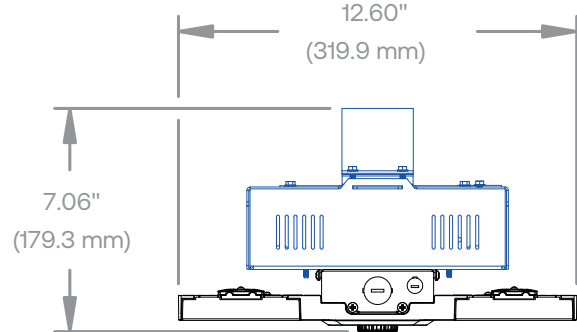


Size 2X 347-480V + EMERGENCY

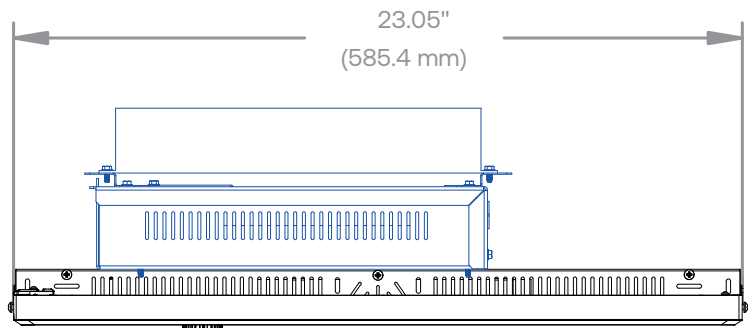
Top View



Front View



Side View



WIRELESS NETWORKING AND SENSING DEVICE OPTIONS*

- **Daintree® One:** Wireless fixture integrated sensor that is perfect for single fixtures or small area applications. Standalone wireless lighting controls that work independently. Comes preset from the factory, yet can be upgraded to Daintree EZ Connect and/or Daintree Enterprise in the future. Factory preset to shut off 20 minutes after the space is vacated of occupants. Daylight harvesting preset enabled on.
- **Daintree® EZ Connect:** Wireless fixture integrated sensor that is designed for room based controls where a group of fixtures communicate to each other and communicate wirelessly in chorus as a system. The advantage is simple, minimal field based commissioning. Factory preset to shut off 20 minutes after the space is vacated of occupants. No daylight harvesting set in initial preset. EZ Connect wireless lighting controls are set up and/or can be changed by the Daintree EZ Connect application that can be downloaded via a smart device.
- **Daintree® Enterprise:** Wireless fixture integrated sensor technology that is ideal for multisite lighting system management. System requires software and commissioning. Monitor multiple controls, lighting, energy, HVAC with unlimited potential for other (3rd party) sensor integration. “Open on the bottom” means that ZigBee communication protocol is an industry standard with countless wireless hardware sensing options. “Open on the top” means that the data from the sensors can be used by any 3rd party software supplier/developer, be it part of a complete BMS system or simple API (Application Programming Interface or “App”). Daintree Enterprise offers a complete future proof solution from any Daintree enabled installed base of fixtures.

*Contact Factory for specific option availability

WHRI IR REMOTE

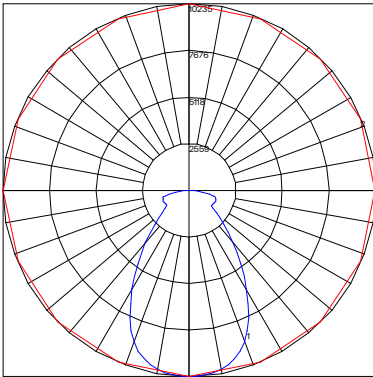


PHOTOMETRIC DATA

SIZE 1X NARROW DISTRIBUTION

Settings @22K Lumen,
3500K CCT

POLAR GRAPH
REF 25.00520

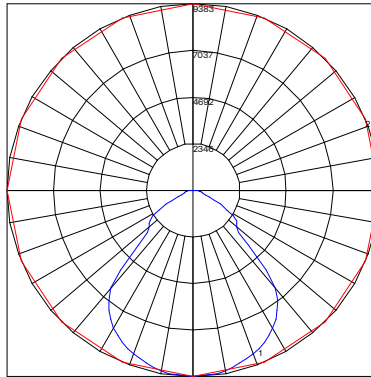


Maximum Candela = 10235 Located At Horizontal Angle = 90, Vertical Angle = 2.5
1 - Vertical Plane Through Horizontal Angles (90 - 270) (Through Max. Cd.)
2 - Horizontal Cone Through Vertical Angle (2.5) (Through Max. Cd.)

SIZE 1X MEDIUM DISTRIBUTION

Settings @22K Lumen,
3500K CCT

POLAR GRAPH
REF 25.00523

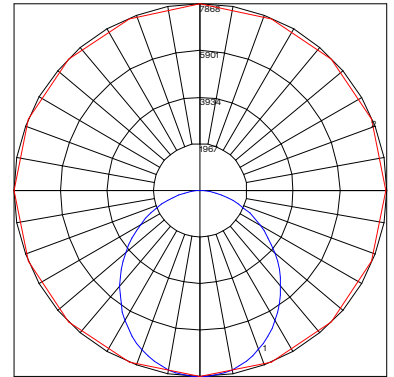


Maximum Candela = 9383 Located At Horizontal Angle = 0, Vertical Angle = 0
1 - Vertical Plane Through Horizontal Angles (0 - 180) (Through Max. Cd.)
2 - Horizontal Cone Through Vertical Angle (0) (Through Max. Cd.)

SIZE 1X WIDE DISTRIBUTION

Settings @22K Lumen,
3500K CCT

POLAR GRAPH
REF 25.00526

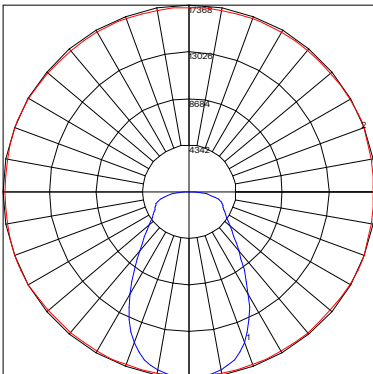


Maximum Candela = 7868 Located At Horizontal Angle = 90, Vertical Angle = 2.5
1 - Vertical Plane Through Horizontal Angles (90 - 270) (Through Max. Cd.)
2 - Horizontal Cone Through Vertical Angle (2.5) (Through Max. Cd.)

SIZE 2X NARROW DISTRIBUTION

Settings @36K Lumen,
3500K CCT

POLAR GRAPH
REF 25.00133

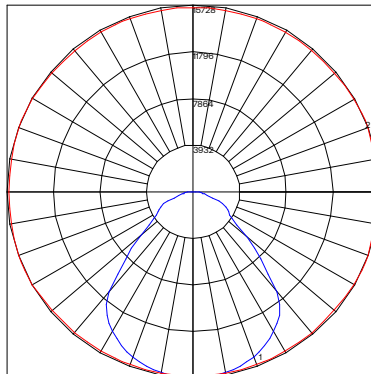


Maximum Candela = 17368 Located At Horizontal Angle = 25, Vertical Angle = 2.5
1 - Vertical Plane Through Horizontal Angles (25 - 205) (Through Max. Cd.)
2 - Horizontal Cone Through Vertical Angle (2.5) (Through Max. Cd.)

SIZE 2X MEDIUM DISTRIBUTION

Settings @36K Lumen,
3500K CCT

POLAR GRAPH
REF 25.00136

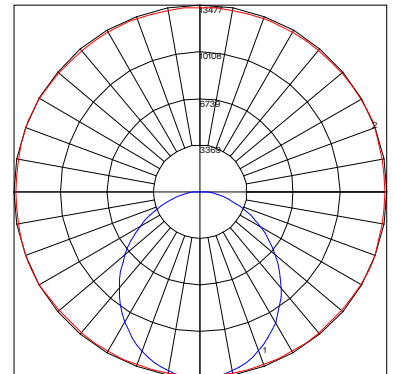


Maximum Candela = 15728 Located At Horizontal Angle = 25, Vertical Angle = 2.5
1 - Vertical Plane Through Horizontal Angles (25 - 205) (Through Max. Cd.)
2 - Horizontal Cone Through Vertical Angle (2.5) (Through Max. Cd.)

SIZE 2X WIDE DISTRIBUTION

Settings @36K Lumen,
3500K CCT

POLAR GRAPH
REF 25.00139



Maximum Candela = 13477 Located At Horizontal Angle = 25, Vertical Angle = 2.5
1 - Vertical Plane Through Horizontal Angles (25 - 205) (Through Max. Cd.)
2 - Horizontal Cone Through Vertical Angle (2.5) (Through Max. Cd.)