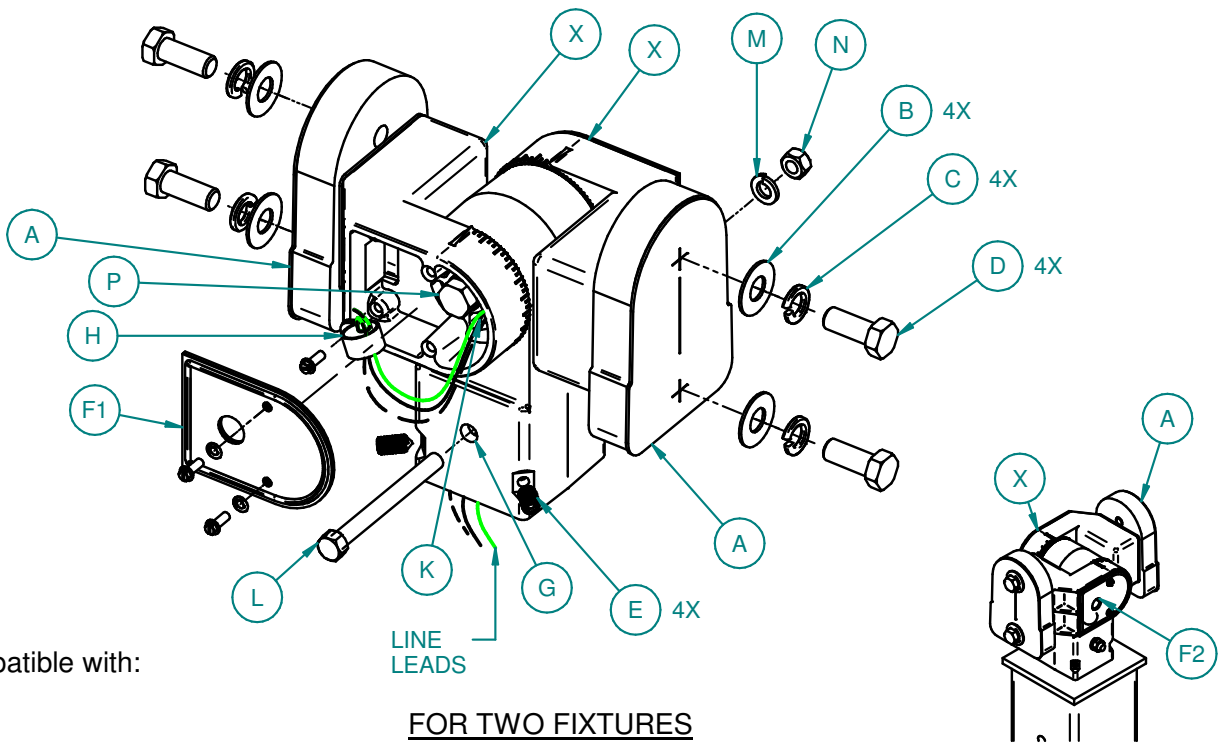


ARM-CR-TK-TA - 10" Adjustable Arm

CIMARRON ACCESSORY

WARNING: To avoid damaging supply wiring, drill all necessary holes in poles, arms, or mounting brackets BEFORE pulling supply wires.

CAUTION: The luminaire rotates about the pivot bolt (P). Should further vertical aiming adjustment be needed, be sure to support the fixture housing before attempting to loosen the bolt. Maximum fixture weight is approximately 75lbs per side.



Compatible with:
CR1
CL1

FOR TWO FIXTURES

Mounting Notes:

1. Install gasket (A) over mounting holes on face of luminaire housing.
2. Secure bracket (X) to housings with flat washers (B), split lockwashers (C), and 1/2" dia x 1" bolts (D1). Tighten to 30ft-lb torque.
3. Insert set screws (e) into the tapped holes.
4. Remove wireway cover (F1) with gasket.
5. Place assembly on pole tenon and orient luminaire to desired direction.
6. Tighten set screws (E).
7. Drill a 13/32" dia hole through tenon at holes (G).
8. Remove assembly and pull line leads out of pole tenon. Allow at least 12" of free wire.
9. Place assembly back on tenon while guiding line leads through wire passage (K).
10. Tighten set screws (E) and install through bolt (L), washer (M), and nut (N). Adjust screws to level luminaire as required.
11. Loop and tie line leads through clamp (H) into knot.
12. Make vertical adjustments as desired by loosening bolt (P), and rotating knuckle (X). Tighten bolt to 30ft-lbs torque.
13. Pull line leads into luminaire.
14. Replace wireway cover (F1) with gasket.
15. See luminaire instructions to complete installation.

Shipping Package Contents:
ARM-CR-TK-TA assembly (1)

Material: Aluminum
Finish: Powder Paint
Weight: 10 lbs