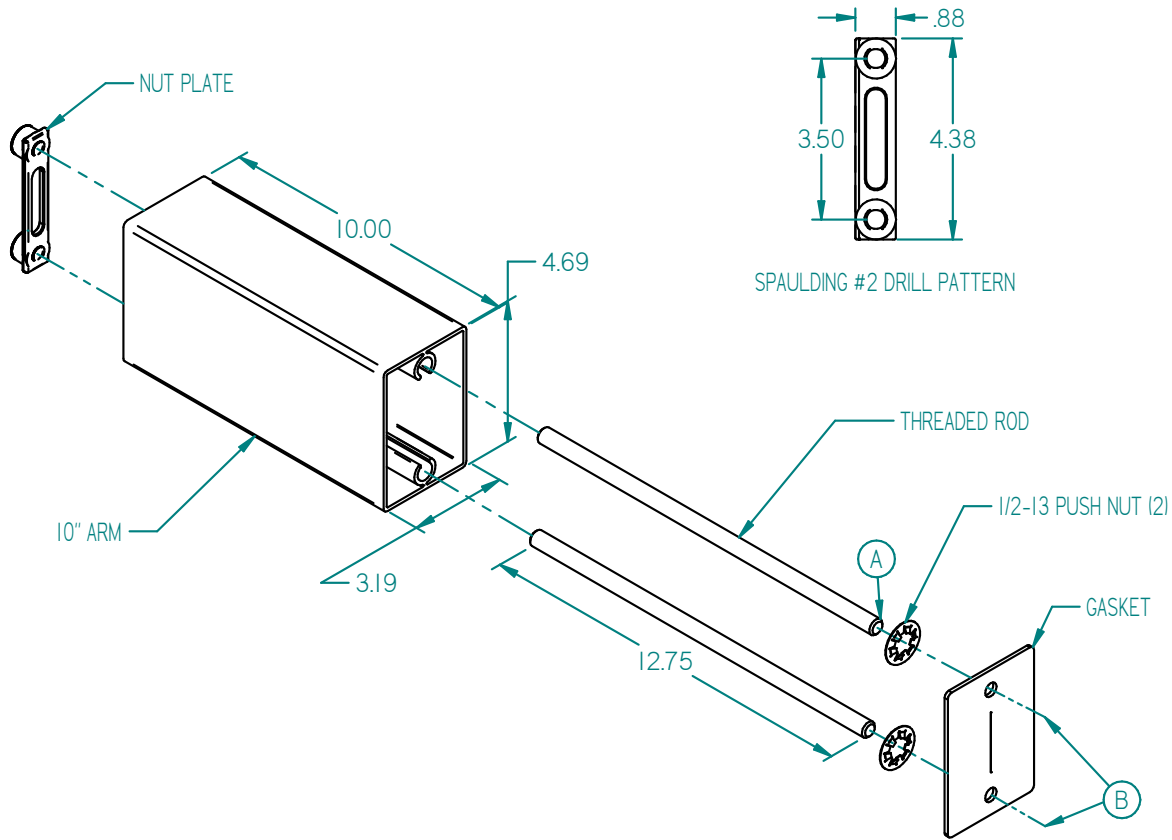


ARM-F-10-S - 10" Arm

MSV M-PULSIVE AND RAVEN ACCESSORY

Compatible with: Spaulding #2 drill pattern



Mounting Notes:

1. Slide (2) threaded rods through openings in 10" Arm.
2. Place nutplate assembly into pole and align with pre-drilled holes in pole.
3. Line up threaded rods in arm to the pre-drilled holes and install through pole into nut plate.
4. Secure (2) push nuts on threaded rods to prevent arm from moving along rods. (Point A)
5. Place the gasket over the protruding ends of threaded rods after the push nuts.
6. Consult fixture installation instructions for connecting fixture to arm using threaded rods.
7. Install, in this order, (2) flat washers, (2) split washers, and (2) nuts to the remaining exposed part of the threaded rods once the fixture is attached. (Point B)

Shipping Package Contents:

- 10" Arm (1)
- 1/2-13 Threaded Rod (2)
- 1/2-13 Push Nut (2)
- Gasket (1)
- 1/2-13 Nut (2)
- 1/2 Split Washer (2)
- 1/2 Flat Washer (2)
- Nut Plate (1)

Material: Aluminum
Finish: Powder Paint
Weight: 5 lbs
EPA: .4 ft²