

SRT2 EDGE-LIT

CEILING/SURFACE/GARAGE/WALL/CANOPY

FEATURES

- Edge-lit optical assembly delivers exceptional uniformity over the entire lens with indirect illumination that reduces glare and improves visual comfort
- Low profile housing intended for 8' - 20' mounting heights for surface, trunnion/yoke or pendant, wall or canopy mounting
- Applications include parking garage, walkway or building canopies, corridors, tunnels, large stairwells and other interior applications
- Multiple optical distributions are available making the Beacon Edge-Lit luminaire both versatile and functional
- CSA Listed for wet locations, IP65



CONTROL TECHNOLOGY



SPECIFICATIONS

HOUSING

- Die-cast aluminum housing ensures long electrical component life and luminaire performance
- Corrosion resistant powder coat finish both protects and provides architectural appearance
- One piece molded silicone gasket ensures weather proof seal
- Housing is designed with integral LED heat sink utilized for thermal transfer
- Torx head screws standard for tamper resistant housing

OPTICS

- Edge-lit acrylic light guide provides blended non-pixelated light for unprecedented visual comfort
- Choice of multiple light outputs with lumen range of 4,000–16,000
- Five distribution types: Type V Square, Type V Rectangular, Type V Concentrated, Type V Wide or Asymmetric (Type 3/4)
- Wide variety of CCT's and CRI's offered: 3000K (70CRI), 3000K (80CRI), 3500K (80CRI), 4000K (70CRI), 4000K (80CRI) or 5000K (70 CRI) CCT

ELECTRICAL

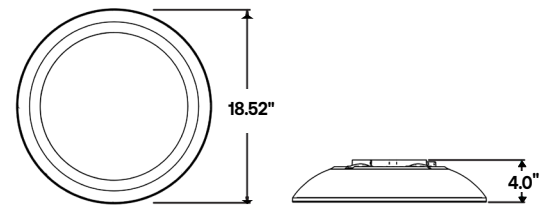
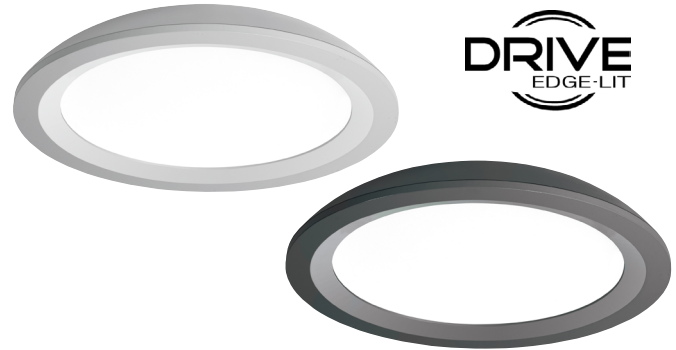
- 120V–277V 50/60Hz with 347V and 480V available
- 0-10V dimming drivers are RoHS compliant and IP66
- Surge protection – Standard 6kA with optional 10kA or 20kA with end of life indicator

INSTALLATION

- Standard quick mount plate over standard 4" square junction box or octagonal box and allows for simplified fixture installation.
- Standard luminaire accepts a rigid or free-swinging 3/4" NPT stem for pendant mount via wet location j-box (by others)
- Optional bird deterrent shroud available for field installation
- Optional trunnion/yoke mount available for field installation

OPTIONS/CONTROLS

- Standalone occupancy sensor available for on/off or dimming operation
- NX Lighting Controls available with in fixture Zigbee wireless control module, features dimming and occupancy sensor
- LightGRID+ available with in fixture wireless control module, features dimming and occupancy sensor
- Integral battery backup option available with and without heater. Rated for 0°C (without heater) and -30°C (with heater) and produces 13 Watts of power
- Emergency lighting relay available for generator or central inverter supplied lighting
- Vandal resistant wire guard available as an option for factory installation or as an accessory for field installation
- Please consult brand or sales representative when combining control and electrical options as some combinations may not operate as anticipated depending on your application



	Weight
SRT2	15 lbs / 6.8 kg

CERTIFICATIONS

- Listed to UL1598 for use in wet location, listed for -40°C to 40°C applications
- Meets IDA recommendations using 3000K and warmer configurations at 0 degrees tilt
- IP65
- Emergency battery backup options are California Energy Commission (CEC) Title 20 Compliant
- Battery options E and EH are rated to 40C up to 45W

WARRANTY

- 5 year warranty

SRT2 EDGE-LIT

CEILING/SURFACE/GARAGE/WALL/CANOPY

ORDERING GUIDE

Example: SRT2-25-3K7-5QW-UNV-BLT-WG

CATALOG #

Series	Engine	CCT	Distribution	Voltage	Color/Finish	Options
SRT2 Edge-Lit Parking Garage Size 2	25 25W Nominal 3800 lm	3K7 3000K, 70 CRI	5QW Type Square Wide ⁴	UNV 120V-277V	BLT Black Matte Textured	WG Wire Guard
	45 45W Nominal 5500 lm	3K8 3000K, 80 CRI	5RW Type 5 Rect. Wide ⁴	120 120V	BLS Black Gloss Smooth	UD Uplight Module
	60 60W Nominal 7000 lm	35K8 3500K, 80 CRI	5C Type 5 Concentrated	208 208V	DBT Dark Bronze Matte Textured	F Single Fuse (120, 277, 347V) ⁷
	80 80W Nominal 9200 lm	4K7 4000K, 70 CRI	5W Type 5 Wide ³	240 240V	DBS Dark Bronze Gloss Smooth	F Double Fuse (208, 240, 480V) ⁷
	90 90W Nominal 11000 lm	4K8 4000K, 80 CRI	ASY Asymmetric (Type 4) ⁴	277 277V	GTT Graphite Matte Textured	E EM Battery Pack (0°C) ^{2,6}
	105 105W Nominal 13000 lm	5K7 5000K, 70 CRI		347 347V	LGS Light Grey Gloss Smooth	EH EM Battery w/Heater (-30°C) ^{2,6}
	130 130W Nominal 15250 lm			480 480V	PSS Platinum Silver Smooth	DTS Dimming Transfer Switch ^{1,2}
				WHT White Matte Textured	LD3 36" Lead Length	
				WHS White Gloss Smooth	LD6 72" Lead Length	
				VGT Verde Green Textured	LD9 108" Lead Length	
				Color Option	SP20K 20kA Surge Protection with End of Life Indicator	
				CC Custom Color	LMB Less Mounting Bracket	
					SP 10kA Surge Protector	
					CD Continuous Dimming	

Control Options	
NX Networked – Wireless⁹	
NXW	NX Networked Wireless Radio Module NXRM2 and Bluetooth Programming, without Sensor
NXWS12F	NX Networked Wireless Enabled Integral NXSM2-OMNI PIR Occupancy Sensor with Automatic Dimming Photocell and Bluetooth Programming
LightGRID+ – Wireless	
WIR	LightGRID+ In-Fixture Module
WIRSC8F	LightGRID+ with remote control programmable line voltage sensor (8-12' recommended MH) ⁸
WIRSC40F	LightGRID+ with remote control programmable line voltage sensor (12-20' recommended MH) ⁸
Sensor Controls⁹	
BTSO12F	Bluetooth Programmable, BTSMP-OMNI-O PIR Occupancy Sensor with Automatic Dimming Photocell and 360° Lens
BTS14F	Bluetooth® Programmable, BTSMP-LMO PIR Occupancy Sensor with Automatic Dimming Photocell and 360° Lens
BTS40F	Bluetooth® Programmable, BTSMP-HMO PIR Occupancy Sensor with Automatic Dimming Photocell and 360° Lens

Accessories (Order Separately)¹⁰

- ACC-SRT2-WG**
Wire Guard for SRT2 version
- ACC-SRT2-MB**
Mounting bracket for pre-installation
- ACC-SRT2-BS-XXX**
Bird deterrent shroud for SRT2 version
- ACC-SRT2-TM-XXX**
Trunnion/Yoke accessory for SRT2 version
- ACC-SRT2-WM-XXX**
Wall Mount
- ACC-CLEDSJK**
Whiteway stem and junction box
- ACC-O-SRT2-MTG-TM/BS-XXX**
Trunnion/Yoke accessory for SRT2 with a Bird Shield

Notes:

- | | |
|--|---|
| 1 For applications that must comply with UL924. Can not be combined with E or EH options | 5 Available for 60W and higher |
| 2 Available for 120 to 277 volts only, not 347 or 480 | 6 E and EH: 25W and 45W only |
| 3 90W, 105W, and 130W configurations only | 7 Not available for UNV, must select Voltage |
| 4 25W, 45W, 60W, and 80W configurations only. | 8 Available in 120V or 277V only |
| | 9 Not available for 480V |
| | 10 "XXX" should be replaced with fixture color, for example WM-DBT, Wall Mount Dark Bronze Textured |








SRT2 EDGE-LIT

CEILING/SURFACE/GARAGE/WALL/CANOPY

CONTROLS FUNCTIONALITY

OUTDOOR LIGHTING CONTROLS OPTIONS



	Control Option Ordering Logic & Description		Control Option Functionality								Control Option Components	
			Networkable	Grouping	Scheduling	Occupancy/ Motion	Daylight Harvesting	0-10V Dimming	On/Off Control	Bluetooth App Programming		Sensor Height
NX Wireless	NXW	NX Networked Wireless Radio Module NXRM2 and Bluetooth Programming, without Sensor	✓	✓	✓	-	-	✓	✓	✓	-	 NXRM2-H
	NXWS12F	NX Networked Wireless Enabled Integral NXSMP2-OMNI-O PIR Occupancy Sensor with Automatic Dimming Photocell and Bluetooth Programming	✓	✓	✓	✓	✓	✓	✓	✓	12ft	 NXSMP2-OMNI-O
LightGRID+	WIR	LightGRID+ In-Fixture Module	✓	-	✓	-	-	✓	✓	Gateway	-	 WIR
	WIRSC	LightGRID+ Module and Occupancy Sensor	✓	✓	✓	✓	✓	✓	✓	Gateway	12ft	 BTMSP
Independent	BTSO-12F	Bluetooth® Programmable, BTSMP-OMNI-O PIR Occupancy Sensor with Automatic Dimming Photocell and 360° Lens	-	-	-	✓	✓	✓	✓	✓	12ft	 BTSMP-OMNI-O
Independent	BTS-14F	Bluetooth® Programmable, BTSMP-LMO PIR Occupancy Sensor with Automatic Dimming Photocell and 360° Lens	-	-	-	✓	✓	✓	✓	✓	14ft	 BTSMP-LMO
Independent	BTS-40F	Bluetooth® Programmable, BTSMP-HMO PIR Occupancy Sensor with Automatic Dimming Photocell and 360° Lens	-	-	-	✓	✓	✓	✓	✓	40ft	 BTSMP-HMO

NXWS12F DEFAULT SETTINGS

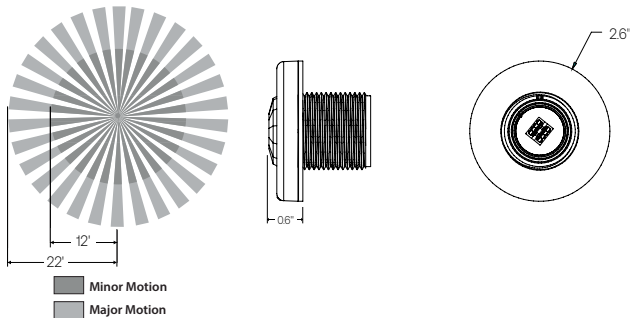
Occupancy Sensor	Enabled
Occupancy Sensor Sensitivity	7
Occupancy Sensor Timeout	15 Minutes
Occupied Dim Level	100%
Unoccupied Dim Level	0% (OFF)
Daylight Sensor	Disabled
Bluetooth	Enabled
2.4GHz Wireless Mesh	Off
"Passcode Factory Passcode: Hubbn3T!"	Enabled

BTS AND BTSO DEFAULT SETTINGS

Occupancy Sensor	Enabled
Occupancy Sensor Sensitivity	7
Occupancy Sensor Timeout	8 Minutes
Occupied Dim Level	100%
Unoccupied Dim Level	0% (OFF)
Daylight Sensor	Disabled

NX WIRELESS AND BTS COVERAGE PATTERNS

NXWS12F AND BTSO12F



NX LIGHTING CONTROLS FREE APP

CONTROLS TECH SUPPORT 800-888-8006 (7:00 AM - 7:00 PM)



The NX Lighting Controls App is free to use mobile application for programming both NX Lighting Controls System or Standalone Bluetooth Sensors. The mobile app allows you to configure devices, discover and setup wireless enable luminaires and program NX system settings.

 Apple App: <https://apps.apple.com/us/app/nx-lighting-controls/id96212904>

 Google Play: https://play.google.com/store/apps/details?id=io.cordova.NXBTR&hl=en_US&gl=US


Apple App



Google Play

SRT2 EDGE-LIT

CEILING/SURFACE/GARAGE/WALL/CANOPY

PERFORMANCE DATA

ENGINE	MEASURED WATTS	DISTRIBUTION TYPE	5K (5000K nominal, 70 CRI)					4K (4000K nominal, 70 CRI)					3K (3000K nominal, 70 CRI)				
			LUMENS	LPW*	B	U	G	LUMENS	LPW*	B	U	G	LUMENS	LPW*	B	U	G
25	27.8	5C	3815	137	2	1	1	3815	137	2	1	1	3581	129	2	1	1
		5QW	3657	132	2	0	1	3657	132	2	0	1	3433	123	2	0	1
		5RW	3342	120	2	0	2	3342	120	2	0	2	3137	113	2	0	2
		ASY	3334	120	1	0	2	3334	120	1	0	2	3130	113	1	0	2
45	47.3	5C	5830	123	2	1	1	5830	123	2	1	1	5473	116	2	1	1
		5QW	5589	118	3	0	2	5589	118	3	0	2	5247	111	3	0	2
		5RW	5107	108	3	0	3	5107	108	3	0	3	4795	101	3	0	3
		ASY	5095	108	1	0	2	5095	108	1	0	2	4783	101	1	0	2
60	61.5	5C	7288	119	3	1	2	7288	119	3	1	2	6842	111	3	1	2
		5QW	6987	114	3	0	2	6987	114	3	0	2	6559	107	3	0	2
		5RW	6385	104	3	0	3	6385	104	3	0	3	5994	97	3	0	3
		ASY	6370	104	2	0	3	6370	104	2	0	3	5980	97	1	0	3
80	82.0	5C	9513	116	3	1	2	9513	116	3	1	2	8931	109	3	1	2
		5QW	9120	111	3	0	2	9120	111	3	0	2	8562	104	3	0	2
		5RW	8334	102	3	0	3	8334	102	3	0	3	7824	95	3	0	3
		ASY	8314	102	2	0	3	8314	102	2	0	3	7806	95	2	0	3
90	91.5	5C	11850	132	3	0	2	11850	132	3	0	2	11125	124	3	0	2
		5W	11203	125	3	0	3	11203	125	3	0	3	10518	117	3	0	2
105	105.4	5C	13692	130	3	0	2	13692	130	3	0	2	12854	122	3	0	2
		5W	12945	123	4	0	3	12945	123	4	0	3	12153	115	4	0	3
130	132.4	5C	15457	117	3	0	2	15457	117	3	0	2	14511	110	3	0	2
		5W	14614	111	4	0	3	14614	111	4	0	3	13720	104	4	0	3

Notes:

* Lumen values are from photometric tests performed in accordance with IESNA LM-79-08. Data is considered to be representative of the configurations shown. Actual performance may differ as a result of end-user environment, application and inherent performance tolerances of the electrical components.

ELECTRICAL DATA

NOMINAL WATTAGE	INPUT VOLTAGE (V)	CURRENT (Amps)	SYSTEM POWER (w)	NOMINAL WATTAGE	INPUT VOLTAGE (V)	CURRENT (Amps)	SYSTEM POWER (w)
25	120	0.23	27.8	90	120	0.76	91.5
	208	0.13			208	0.44	
	240	0.12			240	0.38	
	277	0.10			277	0.33	
	347	0.08			347	0.26	
45	120	0.39	47.3	105	120	0.88	105.4
	208	0.23			208	0.51	
	240	0.20			240	0.44	
	277	0.17			277	0.38	
	347	0.14			347	0.30	
60	120	0.51	61.5	130	120	1.10	132.4
	208	0.30			208	0.64	
	240	0.26			240	0.55	
	277	0.22			277	0.48	
	347	0.18			347	0.38	
80	120	0.68	82				
	208	0.39					
	240	0.34					
	277	0.30					
	347	0.24					

PROJECTED LUMEN MAINTENANCE

Calculation Method	Ambient Temp	25,000 hrs	50,000 hrs	60,000 hrs *	100,000 hrs **	Calculated L70 ** (hrs)
TM-21-11	25C/77F	0.97	0.95	0.94	0.91	399,000
	40C/104F	0.96	0.94	0.93	0.90	384,000
TM-21-21	25C/77F	0.95	0.90	0.88	n/a	n/a
	40C/104F	0.94	0.89	0.87	n/a	n/a

* Lumen maintenance values calculated per TM-21 using six times the LM-80 test time for the LED and in-situ thermal testing of the luminaire.

** Lumen maintenance values calculated per TM-21-11.

SRT LUMEN MULTIPLIER CHART

SRT Lumen Multiplier		
CCT	70 CRI	80 CRI
3000K	0.957	0.85
3500K	0.980	0.91
4000K	0.995	0.95
5000K	1	0.95

LUMINAIRE AMBIENT TEMPERATURE FACTOR (LATF)

AMBIENT TEMPERATURE	LUMEN MULTIPLIER	
0°C	32°F	1.03
10°C	50°F	1.01
20°C	68°F	1.00
25°C	77°F	1.00
30°C	86°F	0.99
40°C	104°F	0.98
50°C	122°F	0.97

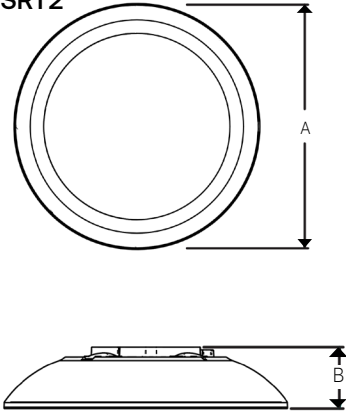
Use these factors to determine relative lumen output for average ambient temperatures from 0-25°C (32-122°F)

SRT2 EDGE-LIT

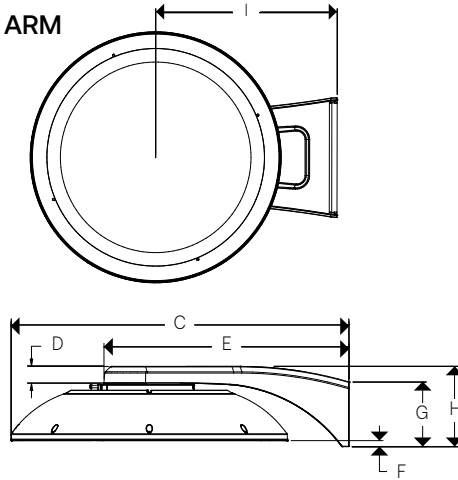
CEILING/SURFACE/GARAGE/WALL/CANOPY

DIMENSIONS

SRT2



SRT2 ARM



A	18.5" (469mm)
B	4.0" (10mm)
C	22.7" (577mm)
D	1.1" (28mm)
E	16.4" (417mm)
F	.4" (10mm)
G	4.3" (109mm)
H	5.4" (137mm)
I	13.4" (340mm)
FIXTURE WEIGHT	15lbs (6.8kg)
FIXTURE & ARM WEIGHT	20lbs (9.1kg)

ADDITIONAL INFORMATION

MOUNTING



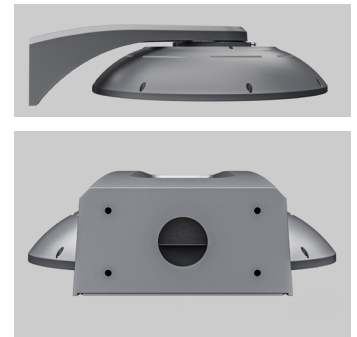
Surface Mount



Pendant Mount



Trunnion/Yoke Mount



Wall Mount

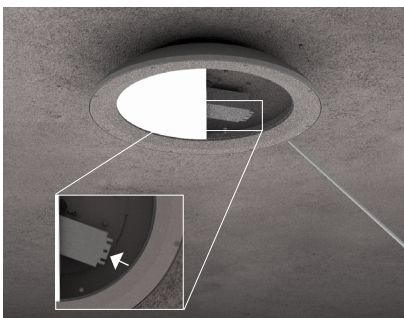
Mounting plate with "quick mount" hanger for one person simple installation. (conduit not included)

Standard 3/4" threaded entry for pendant applications. (Conduit and pendant not included). Pendant available as an accessory.

Multiple position trunnion mount adjusts 9" up and down for positioning in 1" increments. (conduit not included)

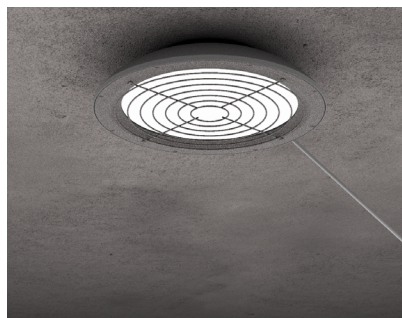
Wall mount, 4 mounting holes cast into extrusion, 6" x 2.5" spacing with wiring thru-hole.

ACCESSORIES AND SERVICES



Battery Backup

Integral battery backup option available on SRT2 version. (conduit not included)



Wire Guard

An optional wire guard can be specified at the factory or as an accessory for field installation. (conduit not included)



Bird Deterrent

An optional bird shroud deterrent can be specified at the factory or as an accessory for field installation. (conduit not included)

SRT2 EDGE-LIT

CEILING/SURFACE/GARAGE/WALL/CANOPY

ADDITIONAL INFORMATION CONTINUED

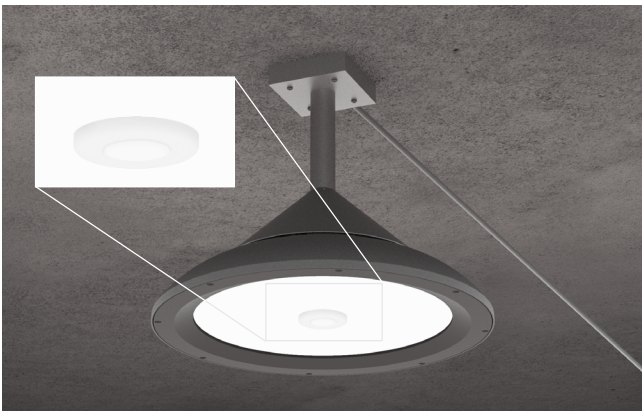
UPLIGHT

Optional uplight module provides 800 lumens of indirect illumination for improved visual quality while eliminating cave effect.



CLEDSJK - Whiteway 6 inch stem and junction box

CONTROLS



Standalone Controls

Optional passive infrared sensors are available for basic occupancy and daylight sensing. Programmable via remote or Bluetooth® phone app. (conduit not included)