

# Vanish

EDGE-LIT CANOPY



## FEATURES

- Edge-Lit technology for even illumination
- Low profile 2.1" depth design virtually disappears into the canopy
- Illuminates without distraction and glare
- Pendant or surface mounted with 3/4" conduit
- Universal retrofit solution for HID replacements for various sizes
- IP65 rating to keep water and insects out
- Cast Aluminum with integral heat sink to maintain optimal thermal performance for long LED life Cast aluminum



## SPECIFICATIONS

### CONSTRUCTION

- Die-cast aluminum, low profile housing
- New construction or retrofit solution
- Canopy and soffit applications
- Easy installation
- Driver and optical chamber serviceable from below canopy
- Powder coat finish
- Heat sink design to disperse heat away from fixture
- Suitable for wet locations

### INSTALLATION

- Surface or pendant mounted
- Easy installation and serviceable below the canopy deck
- Hinge for hanging during service

### CERTIFICATIONS

- UL Certified
- DesignLights Consortium™ 5.1 qualified
- Wet Location Listed
- IP66
- DLC® (DesignLights Consortium Qualified), with some Premium Qualified configurations. Please refer to the DLC website for specific product qualifications at [www.designlights.org](http://www.designlights.org)

### OPTICS

- Acrylic Lens
- Type V distribution
- Comfort lens for low glare
- Light Guide Edge-Lit technology

### ELECTRICAL

- Universal 120-277 , 347, 480 Input Voltage
- Power Factor > 0.9 at full load
- Total Harmonic Distortion < 20% at full load
- 10 kV Surge Protection
- 0-10 Volt Dimmable Driver
- Operating temperature: -40°C to +40°C

### WARRANTY

- 5 year warranty

## ORDERING GUIDE

**Example:** VSH-85-5K7-UNV-WHS

CATALOG #

VSH					
Series	Size	Color Temp	Voltage	Finish	
VSH Vanish	30'	4K7	UNV Universal	BLT	Black Matte Textured
	55	5K7	347 347V	BLS	Black Gloss Smooth
	85		480 480V	DBT	Dark Bronze Matte Textured
	140			DBS	Dark Bronze Gloss Smooth
				GTT	Graphite Matte Textured
				LGS	Light Grey Gloss Smooth
				LGT	Light Grey Matte Textured
				PSS	Platinum Silver Smooth
				WHT	White Matte Textured
				WHS	White Gloss Smooth
				VGT	Verde Green Textured
				<b>Color Option</b>	
				CC	Custom Color

Notes:

- 1 Only available in Universal Voltage

KEY DATA	
Lumen Range	4,500 – 20,200
Wattage Range	30 – 140 Watts
Efficacy Range (LPW)	138 – 157
Reported Life (Hours)	>60,000

## PERFORMANCE DATA

Product	Lumens	B	U	G	LPW	CRI	CCT
VSH-30-4K7	4564	2	0	1	150	70	4000K
VSH-30-5K7	4793	2	0	1	157	70	5000K
VSH-55-4K7	8846	3	0	2	153	70	4000K
VSH-55-5K7	9069	3	0	2	157	70	5000K
VSH-85-4K7	13296	3	0	2	152	70	4000K
VSH-85-5K7	13666	3	0	2	157	70	5000K
VSH-140-4K7	19649	4	0	3	138	70	4000K
VSH-140-5K7	20196	4	0	3	142	70	5000K

Data is considered to be representative of the configurations shown. Actual performance may differ as a result of end-user environment application and inherent performance balances of the electrical components.

## PROJECTED LUMEN MAINTENANCE

Ambient Temperature	OPERATING HOURS					
	0	25,000	50,000	TM-21-11' L96 60,000	100,000	L70 (Hours)
25°C / 77°F	1.00	0.94	0.92	0.90	0.81	>170,000
40°C / 104°F	0.99	0.94	0.92	0.89	0.80	>160,000

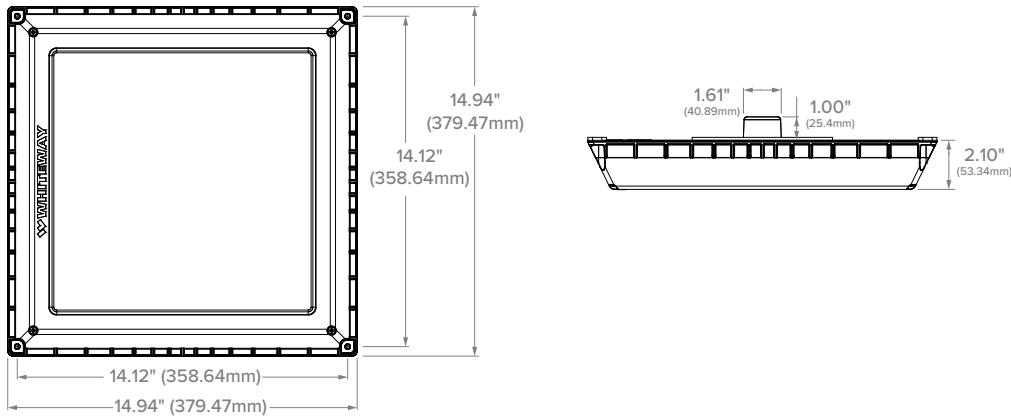
## LUMINAIRE AMBIENT TEMPERATURE FACTOR (LATF)

Ambient Temperature		Lumen Multiplier
0°C	32°F	1.03
10°C	50°F	1.01
20°C	68°F	1.00
25°C	77°F	1.00
30°C	86°F	0.99
40°C	104°F	0.98
50°C	122°F	0.97

# Vanish

EDGE-LIT CANOPY

## DIMENSIONS



## MOUNTING ACCESSORIES

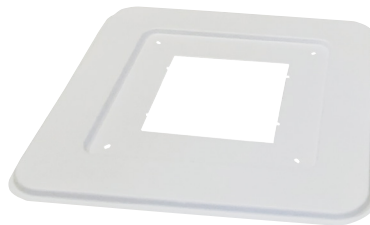
### Accessories (order separately)

- 93133148**    WHITEWAY 15 IN CVR PLT WHT VSH/GSY    Retrofit cover plate for LSI Encore 15" square-replacement for 10" opening
- 93133149**    WHITEWAY DECORATIVE CVR PLT VSH/GSY    26" Decorative Beauty Plate for Canopy Retrofits
- 93133151**    WHITEWAY HID RETRFT KIT WHT VSH/GSY    Universal HID retrofit kit  
(fits any square HID housing between 21" & 23" square.)
- 93133177**    WHITEWAY STEM AND JUNCTION BOX

**93133148**



**93133149**



**93133151**

• Measure outside dimension of existing housing



**93133177**

