

VILLAGE SERIES

VILLAGE LUMINAIRE

DATE: _____ LOCATION: _____

TYPE: _____ PROJECT: _____

CATALOG #: _____

FEATURES

- Micro Strike optics (80 LED counts) maximize uniformity in applications and come standard with mid-power LEDs which evenly illuminate the entire luminous surface area to provide a low glare appearance

MICROSTRIKE



Mediterranean

London

Monaco

Brighton



CONTROL TECHNOLOGY



Max Weight	46 lbs
Max EPA	2.16 sq ft

SPECIFICATIONS

CONSTRUCTION

- The electrical chamber/fitter is cast aluminum
- Decorative fitter is designed to accommodate the driver assembly and is mounted to 3" OD x 3" H tenon and is secured by three or more stainless steel set screws

ELECTRICAL

- 100V through 277V, 50 Hz to 60 Hz (UNV)
- Power factor is ≥ 0.90 at full load
- Dimming drivers are standard with connections for external dimming equipment available upon request with CD option
- Component-to-component wiring within the luminaire carry no more than 80% of rated load and is listed by UL for use at 600VAC at 50°C or higher
- Plug disconnects are listed by UL for use at 600 VAC, 13A or higher. 13A rating applies to primary (AC) side only
- Fixture electrical compartment shall contain all LED driver components
- Button photocell available
- Ambient operating temperature -40°C to 25°C
- Surge protection - 20kA

CONTROLS

- Available with Energeni for optional set dimming, timed dimming with simple delay, or timed dimming based on time of night

FINISH

- IFS polyester powder-coat electrostatically applied and thermocured
- IFS finish consists of a five stage pretreatment regimen with a polymer primer sealer and top coated with a thermoset super TGIC polyester powder coat finish
- The finish meets the AAMA 605.2 performance specification which includes passing a 3000 hour salt spray test for corrosion resistance and resists cracking or loss of adhesion per ASTM D522 and resists surface impacts of up to 160 inch-pounds

CERTIFICATIONS

- NRTL Certified, UL8750, UL 1598 and CSA22.2#250. 13-14 for wet locations
- This product meets federal procurement law requirements under the Buy American Act (FAR 52.225-9) and Trade Agreements Act (FAR 52.225- 11). See Buy America(n) Solutions (link to <https://http://www.currentlighting.com/resources/americasolutions>).

WARRANTY

- 5 year warranty

KEY DATA	
Lumen Range	2,400–10,165
Wattage Range	25–90
Efficacy Range (LPW)	92–118

VILLAGE SERIES

VILLAGE LUMINAIRE

DATE: _____ LOCATION: _____

TYPE: _____ PROJECT: _____

CATALOG #: _____

ORDERING GUIDE

Example: VIL-T1-AC-C1-H1-80L-25-4K7-UNV-4F-DBT

CATALOG # **VIL-**

Model	Lens Option	Cage	Housing	Source	CCT/CRI
T1 Mediterranean	AC Acrylic Clear	C1 Mediterranean	H1 Mediterranean	80L-25 25W - 2500 Lumens	27K7 2700K, 70 CR ¹
T2 London	AF Acrylic Frosted	C2 London	H2 London	80L-39 39W - 4000 Lumens	3K7 3000K, 70 CR ¹
T3 Monaco	NL No lens	C3 Monaco	H3 Monaco	80L-50 50W - 5500 Lumens	4K7 4000K, 70 CR ¹
T5 Brighton		C5 Brighton	H5 Brighton	80L-70 70W - 7500 Lumens	5K7 5000K, 70 CR ¹
		NC No Case - See GLOBES spec		80L-90 90W - 9500 Lumens	

Voltage	Control Options	Optics	Electrical Options	Finish
UNV 120-277V	GENI-XX Energeni ^{2,3}	2 Type II	PCU Button Photocell, Universal ⁴	BLT Black Matte Textured
UHV 347-480V		3 Type III		BLS Black Gloss Smooth
		4F Type IV Forward		DBT Dark Bronze Matte Textured
		4W Type IV Wide		DBS Dark Bronze Gloss Smooth
		5QW Type V Square Wide		GTT Graphite Matte Textured
				LGS Light Grey Gloss Smooth
				LGT Light Grey Gloss Textured
				PSS Platinum Silver Smooth
				WHT White Matte Textured
				WHS White Gloss Smooth
				VGT Verde Green Textured
				Color Option
				CC Custom Color

Notes:

- Also available in 80 CRI in 80L only version only.
- Not available with other control or sensor options.
- When ordering Energeni, specify the routine setting code (Example: GENI-04). See Energeni brochure and Energeni instructions for setting table and options. Not available with sensor options.
- Consult factory for twist-lock photocontrol options.

VILLAGE SERIES

VILLAGE LUMINAIRE

DATE: _____ LOCATION: _____

TYPE: _____ PROJECT: _____

CATALOG #: _____

DELIVERED LUMENS

CLEAR LENS

# OF LEDS	NOMINAL WATTS	SYSTEM WATTS	DISTRIBUTION TYPE	5K (5000K nominal, 70 CRI)"					4K (4000K nominal, 70 CRI)"					3K (3000K nominal, 70 CRI)"				
				LUMENS	LPW	B	U	G	LUMENS	LPW	B	U	G	LUMENS	LPW	B	U	G
80L	25	24.4	2	2798	115.0	1	1	1	2751	112.9	1	1	1	2654	109.0	1	1	1
			3	2798	115.0	1	1	1	2752	113.1	1	1	1	2655	109.0	1	1	1
			4F	2716	112.0	1	1	1	2671	109.7	1	1	1	2577	106.0	1	1	1
			4W	2781	114.0	1	1	1	2735	112.5	1	1	1	2639	108.0	1	1	1
			5QW	2921	120.0	2	1	1	2873	118.1	2	1	1	2772	114.0	2	1	1
	39	36.4	2	4252	117.0	1	1	1	4182	115.0	1	1	1	4035	111.0	1	1	1
			3	4253	117.0	1	1	1	4183	115.0	1	1	1	4036	111.0	1	1	1
			4F	4128	113.0	1	1	1	4060	112.0	1	1	1	3917	108.0	1	1	1
			4W	4227	116.0	1	1	1	4157	114.0	1	1	1	4011	110.0	1	1	1
			5QW	4440	122.0	3	1	1	4366	120.0	3	1	1	4213	116.0	3	1	1
	50	46.5	2	5315	114.0	1	1	1	5227	112.0	1	1	1	5043	108.0	1	1	1
			3	5316	114.0	1	1	1	5228	112.0	2	1	2	5044	108.0	2	1	2
			4F	5160	111.0	1	1	1	5075	109.0	1	1	1	4896	105.0	1	1	1
			4W	5284	114.0	1	1	2	5197	112.0	1	1	2	5014	108.0	1	1	2
			5QW	5550	119.0	3	1	1	5458	117.0	3	1	1	5266	113.0	3	1	1
	70	65.6	2	7413	113.0	2	1	2	7291	111.0	2	2	2	7034	107.0	2	1	2
			3	7415	113.0	2	1	2	7292	111.0	2	2	2	7036	107.0	2	1	2
			4F	7197	110.0	2	1	2	7078	108.0	2	2	2	6829	104.0	1	1	2
			4W	7370	112.0	2	1	2	7248	110.0	2	2	2	6993	107.0	2	1	2
			5QW	7740	118.0	3	1	2	7612	116.0	3	2	2	7345	112.0	3	1	2
90	91.8	2	9735	106.0	2	1	2	9575	104.0	2	1	2	9237	101.0	2	1	2	
		3	9737	106.0	2	1	2	9576	104.0	2	1	2	9239	101.0	2	1	2	
		4F	9451	103.0	2	1	2	9295	101.0	2	1	2	8968	98.0	2	1	2	
		4W	9678	105.0	2	1	2	9518	104.0	2	1	2	9183	100.0	2	1	2	
		5QW	10165	111.0	4	1	2	9997	109.0	4	1	2	9645	105.0	4	1	2	

VILLAGE SERIES

VILLAGE LUMINAIRE

DATE: _____ LOCATION: _____

TYPE: _____ PROJECT: _____

CATALOG #: _____

DELIVERED LUMENS

FROSTED LENS

# OF LEDS	NOMINAL WATTS	SYSTEM WATTS	DISTRIBUTION TYPE	5K (5000K nominal, 70 CRI)"					4K (4000K nominal, 70 CRI)"					3K (3000K nominal, 70 CRI)"				
				LUMENS	LPW	B	U	G	LUMENS	LPW	B	U	G	LUMENS	LPW	B	U	G
80L	25	24.4	2	2562	105.0	1	3	2	2520	103.0	1	3	2	2431	100.0	1	3	2
			3	2553	105.0	1	3	2	2511	103.0	1	3	2	2423	100.0	1	3	2
			4F	2531	104.0	1	3	2	2490	102.0	1	3	2	2402	99.0	1	3	2
			4W	2593	107.0	1	3	2	2550	105.0	1	3	2	2461	101.0	1	3	2
			5QW	2735	112.0	2	3	2	2690	110.0	2	3	2	2596	107.0	1	3	2
	39	36.4	2	3843	106.0	1	3	2	3779	104.0	1	3	2	3647	100.0	1	3	2
			3	3830	105.0	1	3	2	3767	103.0	1	3	2	3635	100.0	1	3	2
			4F	3797	104.0	1	3	2	3734	103.0	1	3	2	3604	99.0	1	3	2
			4W	3889	107.0	1	3	3	3825	105.0	1	3	3	3691	101.0	1	3	3
			5QW	4103	113.0	2	3	2	4035	111.0	2	3	2	3894	107.0	2	3	2
	50	46.5	2	4868	105.0	1	3	3	4787	103.0	1	3	3	4620	99.0	1	3	3
			3	4851	104.0	2	3	3	4771	103.0	2	3	3	4604	99.0	1	3	3
			4F	4810	103.0	1	3	3	4730	102.0	1	3	3	4565	98.0	1	3	3
			4W	4927	106.0	1	3	3	4845	104.0	1	3	3	4676	101.0	1	3	3
			5QW	5197	112.0	2	3	3	5111	110.0	2	3	3	4932	106.0	2	3	3
	70	65.6	2	6661	102.0	2	3	3	6551	100.0	2	3	3	6322	96.0	2	3	3
			3	6639	101.0	2	3	3	6529	100.0	2	3	3	6300	96.0	2	3	3
			4F	6582	100.0	2	3	3	6473	99.0	2	3	3	6246	95.0	2	3	3
			4W	6742	103.0	2	3	3	6630	101.0	2	3	3	6398	98.0	2	3	3
			5QW	7112	108.0	3	3	3	6994	107.0	3	3	3	6749	103.0	3	3	3
90	91.8	2	8967	98.0	2	3	4	8818	97.0	2	3	3	8510	93.0	2	3	3	
		3	8936	98.0	2	3	4	8789	96.0	2	3	4	8481	93.0	2	3	3	
		4F	8860	97.0	2	3	3	8714	95.0	2	3	3	8409	92.0	2	3	3	
		4W	9075	99.0	2	3	4	8925	98.0	2	3	4	8613	94.0	2	3	4	
		5QW	9573	105.0	3	4	4	9415	103.0	3	4	4	9086	100.0	3	3	3	

LUMEN MULTIPLIER

Micro Strike Lumen Multiplier			
CCT	70CRI	80CRI	90CRI
2700K	-	0.820	-
3000K	0.949	0.817	0.614
3500K	-	0.900	-
4000K	0.983	0.911	0.687
5000K	1	0.937	0.791
Monochromatic Amber Multiplier			
Amber	0.250		

ELECTRICAL DATA

Micro Strike Electrical Data					
# of LEDS	80				
NOMINAL WATTAGE	25	39	50	70	90
SYSTEM POWER (W)	24.3	36.4	46.5	65.6	91.8
INPUT VOLTAGE (V)	CURRENT (AMPS)				
120	0.21	0.31	0.39	0.55	0.77
208	0.12	0.18	0.23	0.32	0.44
240	0.10	0.15	0.20	0.27	0.38
277	0.09	0.13	0.17	0.24	0.33
347	0.07	0.11	0.14	0.19	0.27
480	0.05	0.08	0.10	0.14	0.19

VILLAGE SERIES

VILLAGE LUMINAIRE

DATE: _____ LOCATION: _____

TYPE: _____ PROJECT: _____

CATALOG #: _____

TOP/CAGE/HOUSING



T1



T2



T3



T5



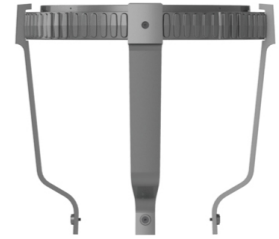
C1



C2



C3



C5



H1



H2



H3



H5



VILLAGE SERIES

VILLAGE LUMINAIRE

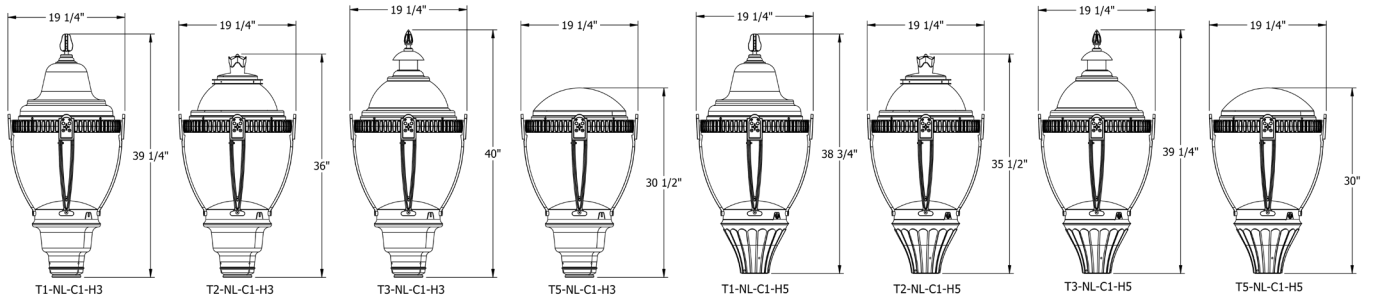
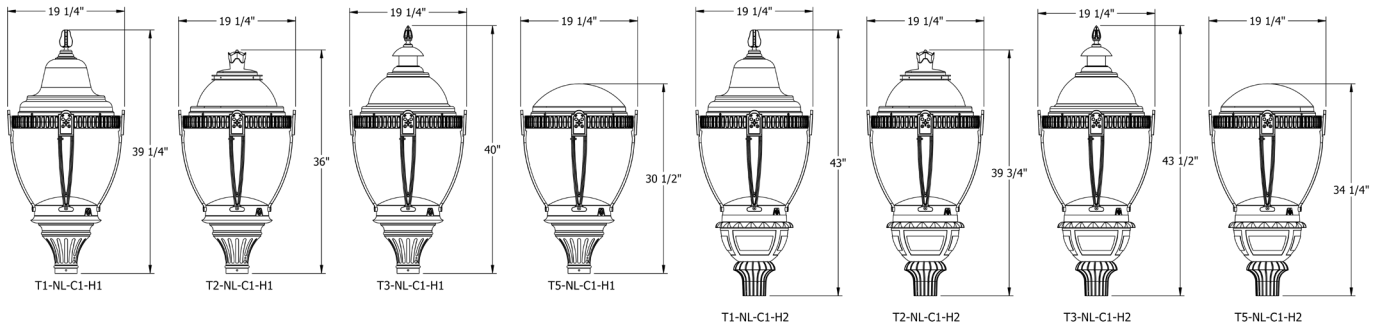
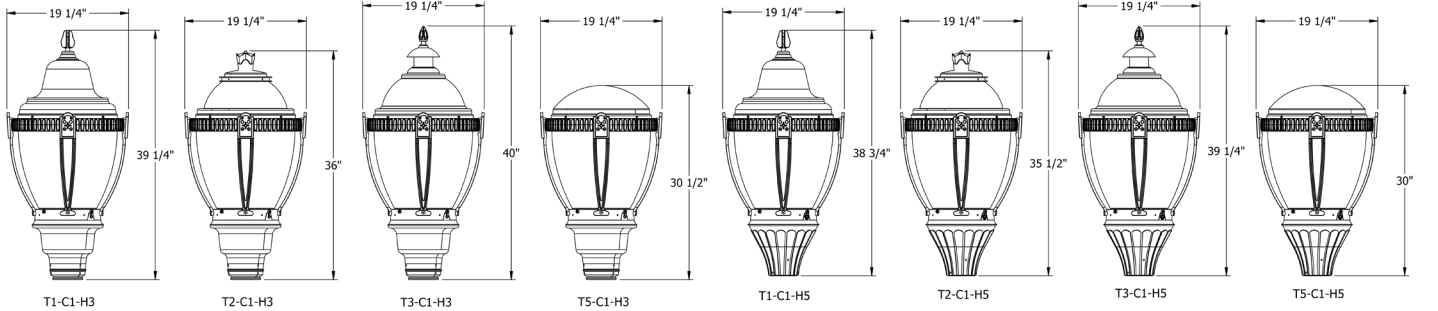
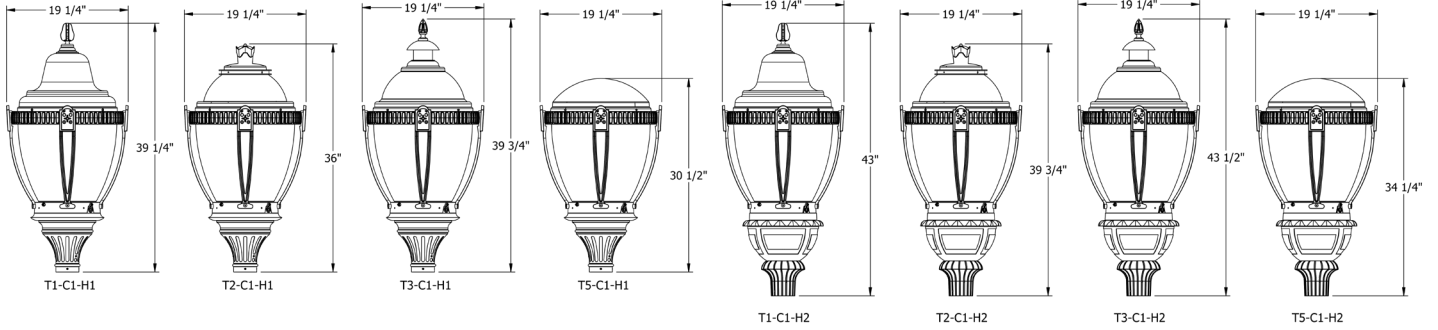
DATE: _____ LOCATION: _____

TYPE: _____ PROJECT: _____

CATALOG #: _____

DIMENSIONS

C1-VARIANTS



VILLAGE SERIES

VILLAGE LUMINAIRE

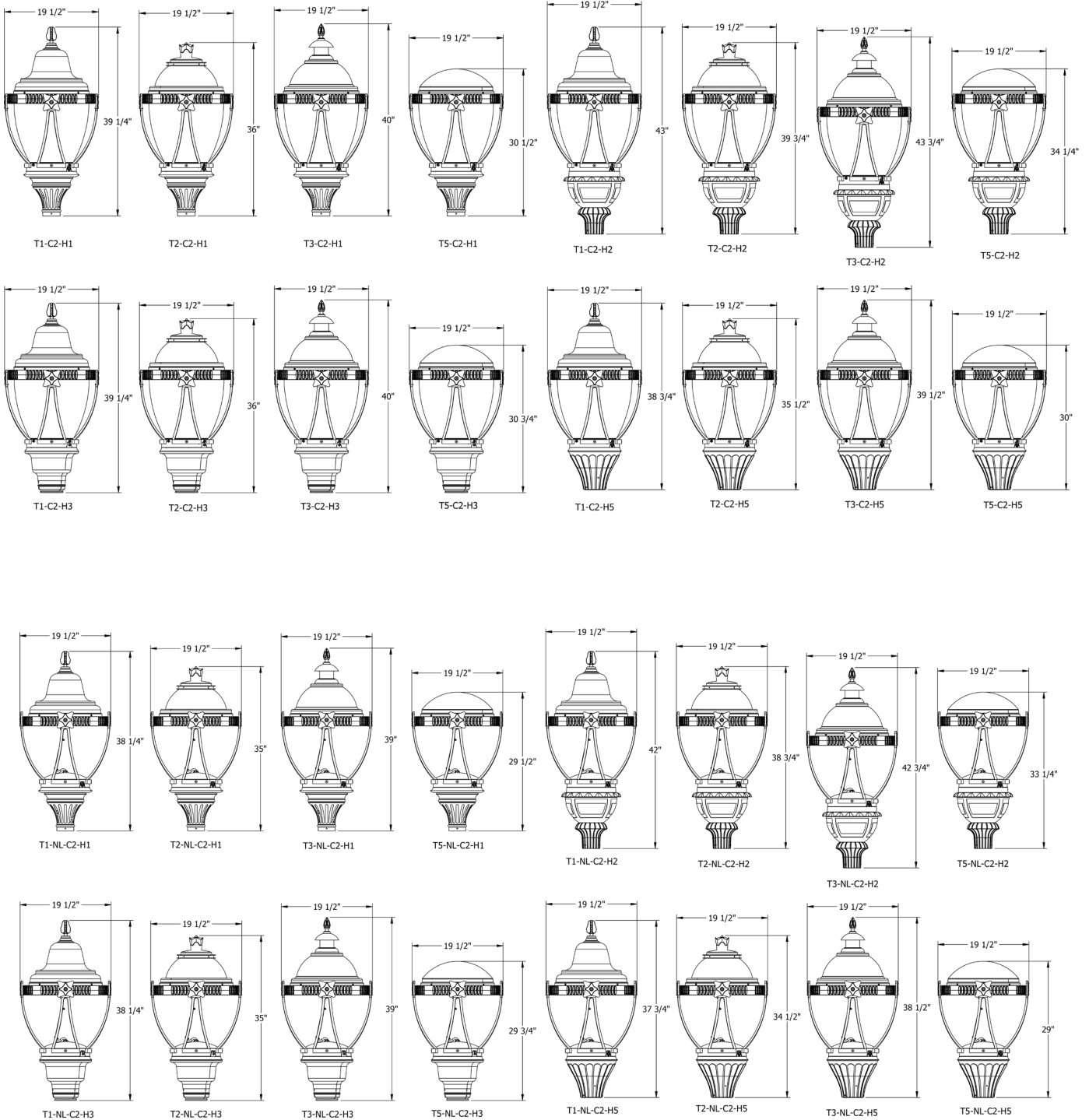
DATE: _____ LOCATION: _____

TYPE: _____ PROJECT: _____

CATALOG #: _____

DIMENSIONS

C2-VARIANTS



VILLAGE SERIES

VILLAGE LUMINAIRE

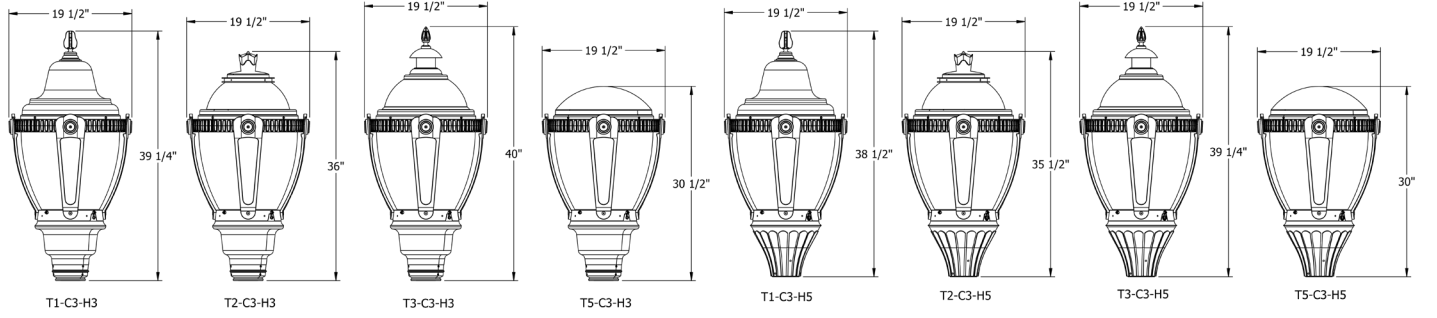
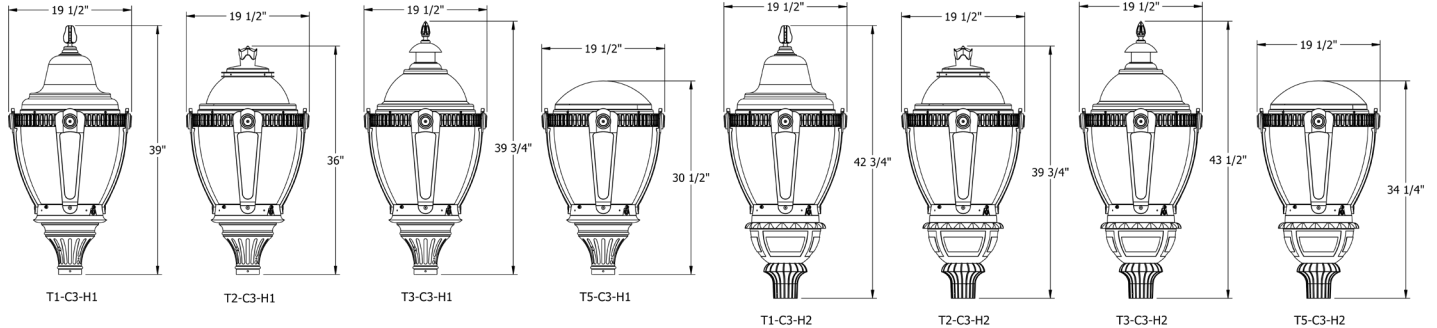
DATE: _____ LOCATION: _____

TYPE: _____ PROJECT: _____

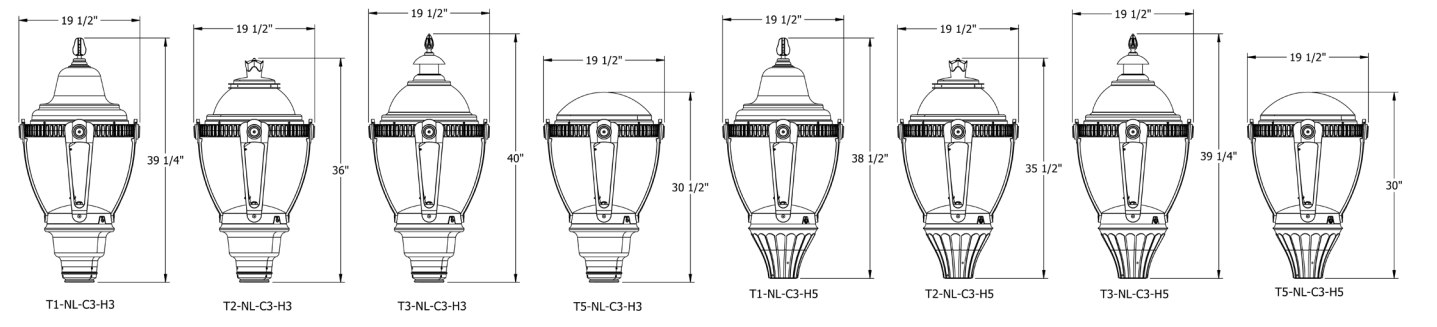
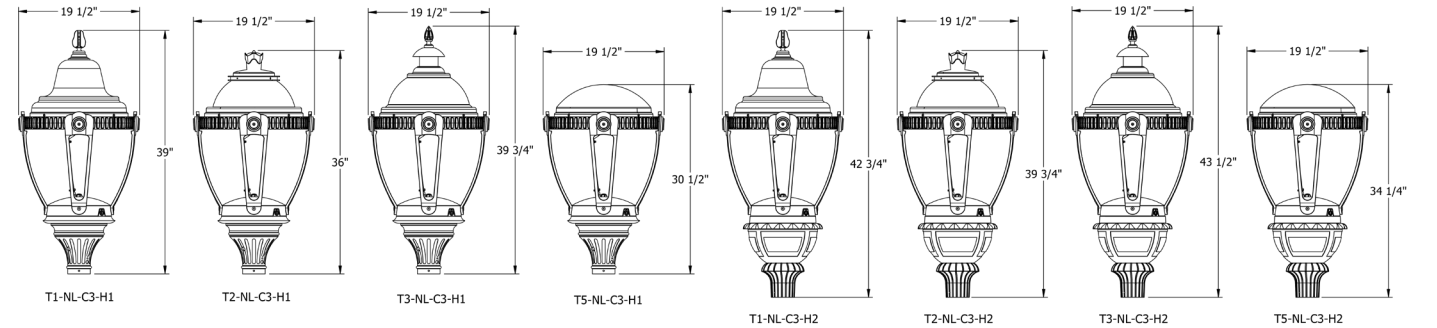
CATALOG #: _____

DIMENSIONS

C3-VARIANTS



REVISIONS			
1	ISSUED FOR	DATE	BY
2	REVISION	DATE	BY
3	REVISION	DATE	BY
4	REVISION	DATE	BY
5	REVISION	DATE	BY



VILLAGE SERIES

VILLAGE LUMINAIRE

DATE: _____ LOCATION: _____

TYPE: _____ PROJECT: _____

CATALOG #: _____

DIMENSIONS

C5-VARIANTS

