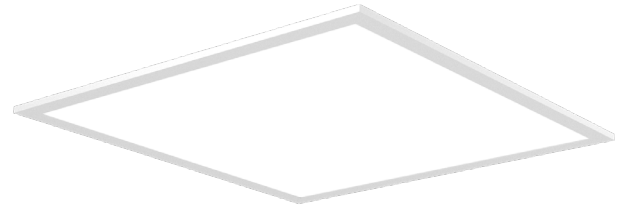


DATE: \_\_\_\_\_ LOCATION: \_\_\_\_\_  
 TYPE: \_\_\_\_\_ PROJECT: \_\_\_\_\_  
 CATALOG #: \_\_\_\_\_

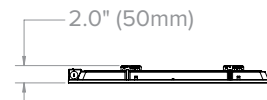
tradeSELECT®

**FEATURES**

- Switchable Lumen technology: 4400/3300/2750 lumens (1x4 and 2x2)  
5500/4400/3300 lumens (2x4)
- Switchable CCT technology: 3500/4000/5000K
- 1x4, 2x2, and 2x4 sizes
- 0-10V 1% Dim to Dark driver (standard) provides superior dimming capabilities
- IC rated
- Back-lit design and frosted lens provides smooth, even illumination across the face of the luminaire
- All CBT LSCS Generation A units are priced as single units and must be ordered as single units in even quantities, as this product is packed two fixtures per box.



**SERVICE PROGRAMS**



Typical Dimensions and Weights			
	CBT14 (1x4)	CBT22 (2x2)	CBT24 (2x4)
<b>Length</b>	11.9" / 303 mm	23.7" / 603 mm	23.7" / 603 mm
<b>Width</b>	47.8" / 1213 mm	23.7" / 603 mm	47.8" / 1213 mm
<b>Height</b>	2.0" / 50 mm	2.0" / 50 mm	2.0" / 50 mm
<b>Weight*</b>	4.99lbs / 2.26kg	4.92lbs / 2.23kg	9.37lbs / 4.25kg

\*Base configurations; options by vary weight

**SPECIFICATIONS**

**CONSTRUCTION**

- Aluminum lens frame has a matte white finish
- Luminaire housing is die formed code-gauge steel
- Low profile design is ideal for shallow plenum applications

**OPTICS**

- Acrylic micro-optics over each LED provide edge to edge illumination without pixelation or bright spots
- Frosted textured lens provides smooth surface brightness

**INSTALLATION**

- Integral T-bar clips for secure mounting to 9/16" and 15/16" grid ceiling
- For surface mount applications use surface mount kit accessories
- For plaster or sheet rock installations, use flange kit accessories

**ELECTRICAL**

- 60,000 hour LEDs at L90 for reduced maintenance
- Operates at 120–277V. 1V minimum low-end trim recommended when paired with a 0-10V dimmer
- 0–10V 1% Dim to Dark driver is standard. See additional info on page 6
- Switchable luminaire default settings at highest lumen output and 3500K

**PACKAGING**

- All CBT LSCS Generation A units are priced as single units and must be ordered as single units in even quantities, as this product is packed two fixtures per box. It should be noted in receiving documents that one box has two units and should be received as two units

**CERTIFICATIONS**

- All luminaires are built to UL 1598 standards and bear appropriate cULus labels
- Damp location label standard
- Adheres to LM79, LM80, and TM21 industry standards for photometrics and lifetime calculations
- DLC® (DesignLights Consortium Qualified.) Please refer to the DLC website for specific product qualifications at [www.designlights.org](http://www.designlights.org)

**WARRANTY**

- 5 year warranty

KEY DATA	
<b>Lumen Range</b>	2750 - 5700
<b>Wattage Range</b>	24w - 48w
<b>Efficacy Range (LPW)</b>	115 -123
<b>Reported Life (Hours)</b>	L90/60,000

DATE: \_\_\_\_\_ LOCATION: \_\_\_\_\_  
 TYPE: \_\_\_\_\_ PROJECT: \_\_\_\_\_  
 CATALOG #: \_\_\_\_\_

**ORDERING GUIDE**

Example: CBT14-A-LSCS-EDD-NXCS-2PK

CATALOG # \_\_\_\_\_

CBT		Generation	Selectable	Driver	Controls	Packaging						
Model	Size											
CBT Back-lit Troffer	<table border="1"> <tr><td>14</td><td>1x4</td></tr> <tr><td>22</td><td>2x2</td></tr> <tr><td>24</td><td>2x4</td></tr> </table>	14	1x4	22	2x2	24	2x4	A Generation A	LSCS Lumen Selectable, CCT Selectable	EDD 0-10V Dim to Dark <sup>1</sup>	Blank No Controls (Standard)	2PK 2 Pack <sup>2</sup>
14	1x4											
22	2x2											
24	2x4											

Notes:

- 1 EDD - Dim to Dark Standard. See additional detail on page 6
- 2 2PK - All CBT LSCS Generation A units are priced as single units and must be ordered as single units in even quantities, as this product is packed two fixtures per box. It should be noted in receiving documents that one box has two units and should be received as two units.

**STOCKED OPTIONS**

Catalog No.	UPC	Description	Setting	Lumens			Watts	LPW			Weight	Carton QTY
				3500K	4000K	5000K		3500K	4000K	5000K		
<input type="checkbox"/> CBT14-A-LSCS-EDD-2PK	840141412184	1x4 Back-Lit Troffer; 4400/3300/2750 Switchable Lumens; 3500/4000/5000K Switchable CCT; 80 CRI; 0-10V 1% Dim to Dark; 120-277V	LOW	2750	2850	2800	24	115	119	117	4.99lbs (2.26kg)	2
			MED	3300	3400	3350	28	118	121	120		
			HIGH	4400	4600	4500	38	116	121	118		
<input type="checkbox"/> CBT22-A-LSCS-EDD-2PK	840141412207	2x2 Back-Lit Troffer; 4400/3300/2750 Switchable Lumens; 3500/4000/5000K Switchable CCT 80 CRI; 0-10V 1% Dim to Dark; 120-277V	LOW	2750	2850	2800	24	115	119	117	4.92lbs (2.23kg)	2
			MED	3300	3400	3350	28	118	121	120		
			HIGH	4400	4600	4500	38	116	121	118		

**ORDERING GUIDE CONTINUED**

Accessories (Order Separately)	Part #	UPC	Notes & Restrictions
<b>Flange Kits</b>			
<input type="checkbox"/> FK14	FK14	078531000745	1x4 Single Flange Kit
<input type="checkbox"/> FK22	FK22	078531000752	2x2 Single Flange Kit
<input type="checkbox"/> FK24	FK24	078531038991	2x4 Single Flange Kit
<b>Surface Mount Kits</b> - Suitable for CBT standard fixture only. Not compatible with any options or other field installable kits. Height = 2.5 Inches (see dimensions section on page 5)			
<input type="checkbox"/> SRPSMK-14 1x4 Surface Mount Kit	93114114	840141420455	1x4 Flat Panel Surface Mount Kit.
<input type="checkbox"/> SRPSMK-22 2x2 Surface Mount Kit	93114122	840141420462	2x2 Flat Panel Surface Mount Kit.
<input type="checkbox"/> SRPSMK-24 2x4 Surface Mount Kit	93114124	840141420479	2x4 Flat Panel Surface Mount Kit.
<b>Emergency Battery</b>			
<input type="checkbox"/> CBP14A EMBB Kit	93308995	662055313940	1x4 CBP Gen A EMBB Field Installable Kit
<input type="checkbox"/> CBP2224A EMBB Kit	93308998	662055313988	2x4 & 2x4 CBP GenA EMBB Field Installable Kit
<b>347V</b>			
<input type="checkbox"/> CBP14A 347V Kit	93308996	662055313957	1x4 CBP Gen A 347V Field Installable Kit
<input type="checkbox"/> CBP2224A 347V Kit	93308999	662055313971	2x2 & 2x4 CBP Gen A 347V Field Installable Kit
<b>Dimming Bypass Module</b>			
<input type="checkbox"/> CBP14A DTS Kit	93308997	662055313964	1x4 CBP Gen A DTS Field Installable Kit
<input type="checkbox"/> CBP2224A DTS Kit	93309000	662055313995	2x2 & 2x4 CBP Gen A DTS Field Installable Kit
<b>Switch Cover</b>			
<input type="checkbox"/> PSC Switch Cover 50PK	93167456	840141413426	CBP Gen A Selectable Driver Switch Cover

**DLC LISTINGS**

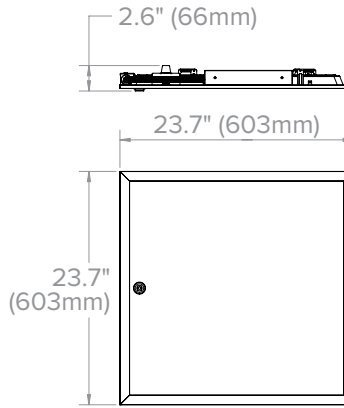
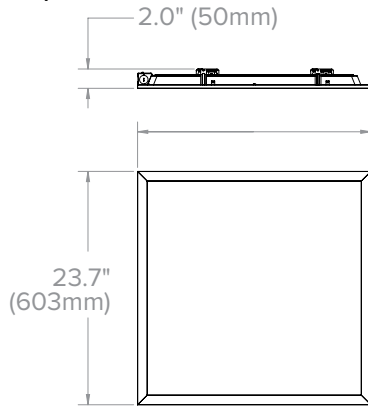
Size	CCT	Setting	DLC Model #	DLC Product ID #
1x4	3500K	LOW	CBT14-A-LSCS-EDD-2PK-LOW-3500K	S-H27U4G
	3500K	MED	CBT14-A-LSCS-EDD-2PK-MED-3500K	S-2ZTPXS
	3500K	HIGH	CBT14-A-LSCS-EDD-2PK-HIGH-3500K	S-V0XH25
	4000K	LOW	CBT14-A-LSCS-EDD-2PK-LOW-4000K	S-TUNA2H
	4000K	MED	CBT14-A-LSCS-EDD-2PK-MED-4000K	S-GA476K
	4000K	HIGH	CBT14-A-LSCS-EDD-2PK-HIGH-4000K	S-160G73
	5000K	LOW	CBT14-A-LSCS-EDD-2PK-LOW-5000K	S-ORLSWB
	5000K	MED	CBT14-A-LSCS-EDD-2PK-MED-5000K	S-VZMAFK
	5000K	HIGH	CBT14-A-LSCS-EDD-2PK-HIGH-5000K	S-4XZSLT
2x2	3500K	LOW	CBT22-A-LSCS-EDD-2PK-LOW-3500K	S-5AHXQ2
	3500K	MED	CBT22-A-LSCS-EDD-2PK-MED-3500K	S-FP1S0V
	3500K	HIGH	CBT22-A-LSCS-EDD-2PK-HIGH-3500K	S-TGP9ED
	4000K	LOW	CBT22-A-LSCS-EDD-2PK-LOW-4000K	S-S9UPC7
	4000K	MED	CBT22-A-LSCS-EDD-2PK-MED-4000K	S-WRBOV1
	4000K	HIGH	CBT22-A-LSCS-EDD-2PK-HIGH-4000K	S-R3J2EK
	5000K	LOW	CBT22-A-LSCS-EDD-2PK-LOW-5000K	S-8J9OT6
	5000K	MED	CBT22-A-LSCS-EDD-2PK-MED-5000K	S-MOVDUI
	5000K	HIGH	CBT22-A-LSCS-EDD-2PK-HIGH-5000K	S-U72ERV

**DIMENSIONS**

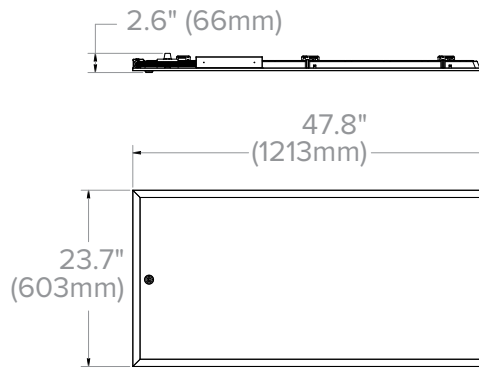
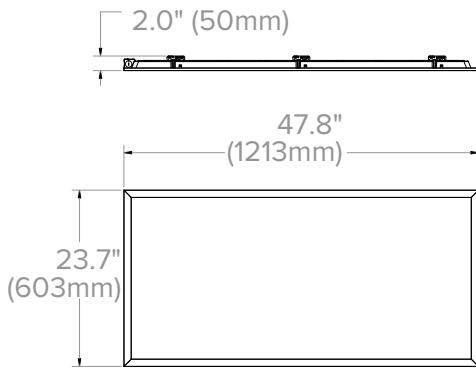
**Basic Version**

**Sensor Version**

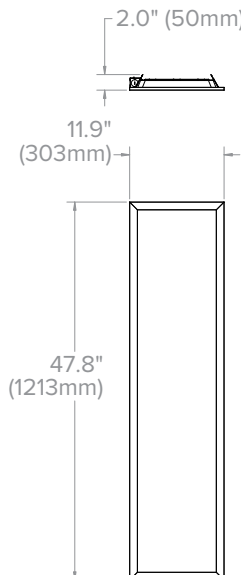
2x2 example



2x4 example

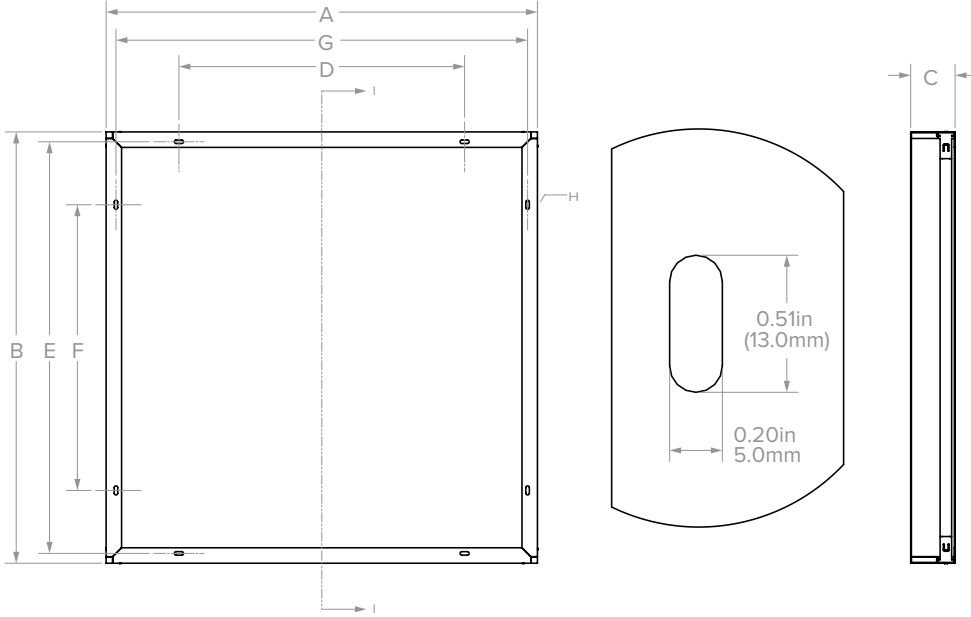


1x4 example



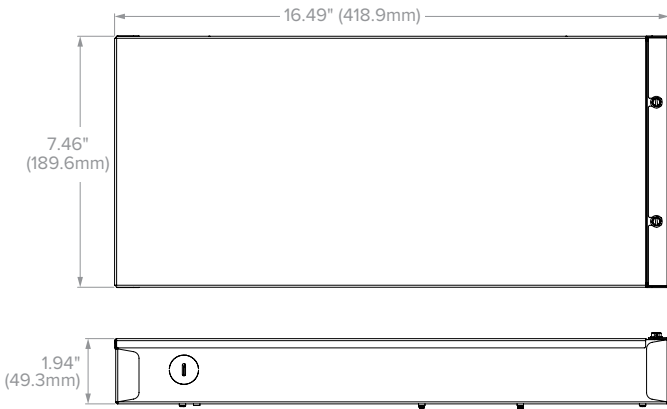
**ACCESSORY DIMENSIONS**

Surface Mount PSMK Dimensions - 2x2 example see below chart for all size dimensions

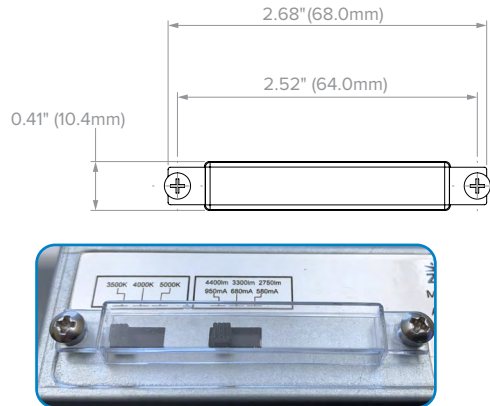


Product Code	Description	A (in)	B (in)	C (in)	D (in)	E (in)	F (in) Between Holes	G (in)
93302543	PSMK-14	12.05	48.0	2.5	1 hole	46.88	16.0 (3 holes)	10.92
93302544	PSMK-22	24.16	24.16	2.5	16.0	23.06	16.0	23.06
93302545	PSMK-24	24.16	48.0	2.5	16.0	46.88	16.0 (3 holes)	23.06

**Control Box**



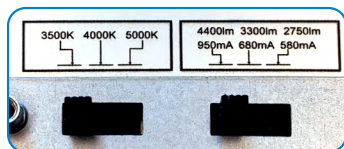
**PSC Switch Cover**



**ADDITIONAL INFO**

**LSCS Switches Default Settings**

Maximum Lumen Output and 3500K CCT



**0-10V DIMMER COMPATIBILITY**

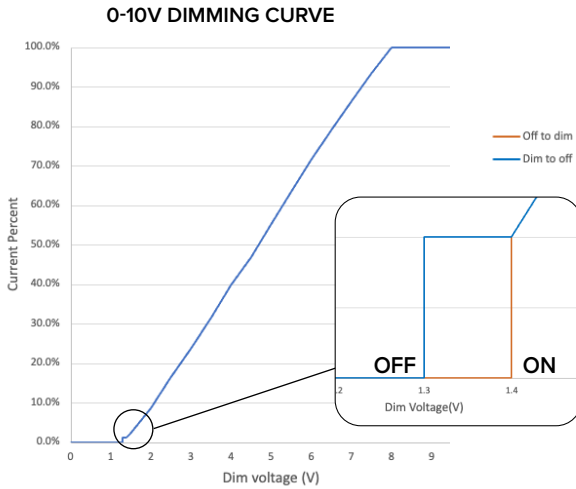
Fixture operates at 120-277V. 0-10V dimmable driver, down to 1%.

1V minimum low-end trim recommended when paired with a 0-10V dimmer.

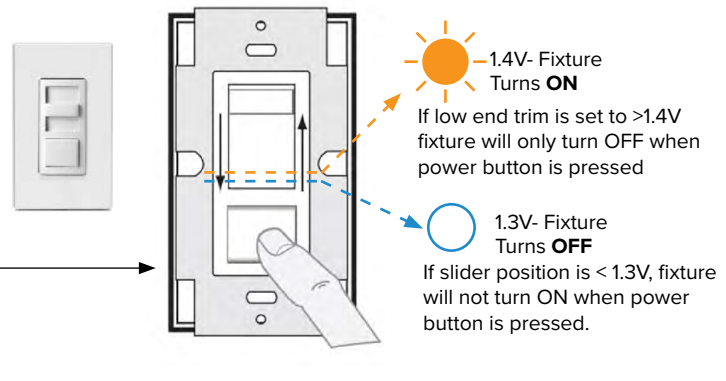
List of suitable dimmers based on laboratory testing. Compatibility must be verified by customer before install. Columbia cannot guarantee dimmer compatibility

- NX Lighting Controls RSD710
- LUTRON DVTV
- Synergy® ISD BC120/277
- NX Lighting Controls PSD710
- LUTRON NTSTV-DV
- Enerlites® 51300L
- Lutron® Diva DVST
- Eaton® DF10P-C1

**ADDITIONAL DIMMING INFORMATION: DIMMING CURVE**



**WALLBOX DIMMER EXAMPLE**



**DIM TO DARK FUNCTION**

Dimmer Low End Trim Settings	ON/OFF Operation		Dimmer Control Range
> 1.4V	<b>ON/OFF</b> Toggle power control only		Full output to Low End Trim Setting
1.3V to 1.4V	<b>ON</b> Adjust dimmer control above 1.4V + Set power control to ON	<b>OFF</b> Set power control to OFF	Full output to Low End Trim Setting
< 1.3V	<b>ON</b> Adjust dimmer control above 1.4V + Set power control to ON	<b>OFF</b> Set power control to OFF	Full output to OFF