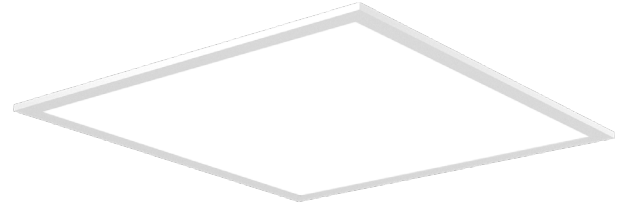


DATE:	LOCATION:
TYPE:	PROJECT:
CATALOG #:	

tradeSELECT®

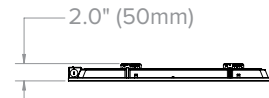
FEATURES

- Switchable Lumen technology: 4400/3300/2750 lumens (2x2)
5500/4400/3300 lumens (2x4)
- Switchable CCT technology: 3500/4000/5000K
- 2x2 and 2x4 sizes
- 0-10V 1% Dim to Off driver (standard) provides superior dimming capabilities
- IC rated
- Back-lit design and frosted lens provides smooth, even illumination across the face of the luminaire
- All CBT LSCS Generation B fixtures are priced as single fixtures and must be ordered as single fixtures. Standard packaging is a master carton containing four individually boxed fixtures



SERVICE PROGRAMS

STOCK



Typical Dimensions and Weights		
	CBT22 (2x2)	CBT24 (2x4)
Length	23.7" / 603 mm	23.7" / 603 mm
Width	23.7" / 603 mm	47.8" / 1213 mm
Height	2.0" / 50 mm	2.0" / 50 mm
Weight*	4.92lbs / 2.23kg	9.37lbs / 4.25kg

SPECIFICATIONS

CONSTRUCTION

- Aluminum lens frame has a matte white finish
- Luminaire housing is die formed code-gauge steel
- Low profile design is ideal for shallow plenum applications

OPTICS

- Acrylic micro-optics over each LED provide edge to edge illumination without pixelation or bright spots
- Frosted acrylic textured lens provides smooth surface brightness

INSTALLATION

- Integral T-bar clips for secure mounting to 9/16" and 15/16" grid ceiling
- For surface mount applications use surface mount kit accessories
- For plaster or sheet rock installations, use flange kit accessories

ELECTRICAL

- 60,000 hour LEDs at L90 for reduced maintenance
- Operates at 120–347V. 1V minimum low-end trim recommended when paired with a 0-10V dimmer
- 0–10V 1% Dim to Off driver is standard. See additional info on page 6
- Switchable luminaire default settings at highest lumen output and 3500K

PACKAGING

- All CBT LSCS Generation B fixtures are priced as single fixtures and must be ordered as single fixtures. Standard packaging is a master carton containing four individually boxed fixtures. It should be noted in receiving documents that one master carton includes four individually boxed fixtures and should be received as four fixtures
- Ordering example; If a customer orders 21 fixtures they will receive (5) master cartons containing four fixtures and (1) individually boxed fixture.

CERTIFICATIONS

- All luminaires are built to UL 1598 standards and bear appropriate cULus labels
- Damp location label standard
- Adheres to LM79, LM80, and TM21 industry standards for photometrics and lifetime calculations
- DLC® (DesignLights Consortium Qualified.) Please refer to the DLC website for specific product qualifications at www.designlights.org
- UL Sanitation Certified to NSF 2 Food Equipment standard for non-food zones
- Tested in accordance with ISO 14644-1; suitable for ISO Class 4 positive and negative pressure clean rooms

WARRANTY

- 5 year warranty

KEY DATA	
Lumen Range	2750 - 5700
Wattage Range	24w - 48w
Efficacy Range (LPW)	115 -123
Reported Life (Hours)	L90/60,000

DATE:	LOCATION:
TYPE:	PROJECT:
CATALOG #:	

ORDERING GUIDE

Example: CBT24-B-LSCS-EDD34

CATALOG #

CBT					
Model	Size	Generation	Selectable	Driver	Voltage
CBT Back-lit Troffer	22 2x2 24 2x4	B Generation B	LSCS Lumen Selectable, CCT Selectable	EDD 0-10V Dim to Off ¹	34 120-347V

Notes:
1 EDD - Dim to Off Standard. See additional detail on page 6

STOCKED OPTIONS

Catalog No.	SKU UPC	Master Carton UPC	Description	Setting	Lumens			Watts	LPW			Weight	Carton QTY	DLC	
					3500K	4000K	5000K		3500K	4000K	5000K				
<input type="checkbox"/>	CBT22-B-LSCS-EDD34	840141430324	10840141430321	2x2 Back-Lit Troffer; 4400 /3300/2750 Switchable Lumens; 3500 /4000/5000K Switchable CCT 80 CRI; 0-10V 1% Dim to Off; 120-347V	LOW	2750	2850	2800	24	115	119	117	4.92lbs (2.23kg)	4	S-DMXVQI
					MED	3300	3400	3350	28	118	121	120			
					HIGH	4400	4600	4500	38	116	121	118			
<input type="checkbox"/>	CBT24-B-LSCS-EDD34	840141430331	10840141430338	2x4 Back-Lit Troffer; 5500 /4400/3300 Switchable Lumens; 3500 /4000/5000K Switchable CCT 80 CRI; 0-10V 1% Dim to Off; 120-277V	LOW	3300	3450	3400	28	118	123	121	9.37 lb (4.25 kg)	4	S-EJ095G
					MED	4400	4600	4500	38	116	121	118			
					HIGH	5500	5800	5700	48	115	121	119			

Bold indicates default settings

Accessories (Order Separately)	Part #	UPC	Notes & Restrictions
Flange Kits			
<input type="checkbox"/> FK14	FK14	078531000745	1x4 Single Flange Kit
<input type="checkbox"/> FK22	FK22	078531000752	2x2 Single Flange Kit
<input type="checkbox"/> FK24	FK24	078531038991	2x4 Single Flange Kit
Surface Mount Kits - Suitable for CBT standard fixture only. Not compatible with any options or other field installable kits. Height = 2.5 Inches (see dimensions section on page 5)			
<input type="checkbox"/> PSMK14 1x4 Surface Mount Kit	93302543	662055127905	1x4 Flat Panel Surface Mount Kit.
<input type="checkbox"/> PSMK22 2x2 Surface Mount Kit	93302544	662055127912	2x2 Flat Panel Surface Mount Kit.
<input type="checkbox"/> PSMK24 2x4 Surface Mount Kit	93302545	662055127929	2x4 Flat Panel Surface Mount Kit.
Switch Cover			
<input type="checkbox"/> PSC Switch Cover 50PK	93167456	840141413426	CBP Gen A Selectable Driver Switch Cover

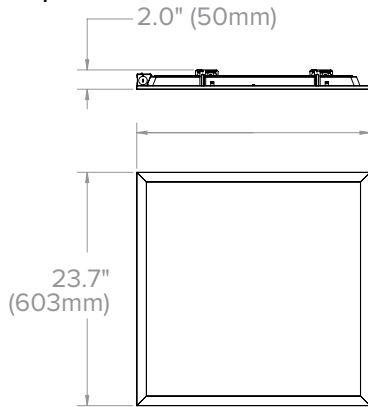
CBT LSCS 120-347V

BACK-LIT TROFFER

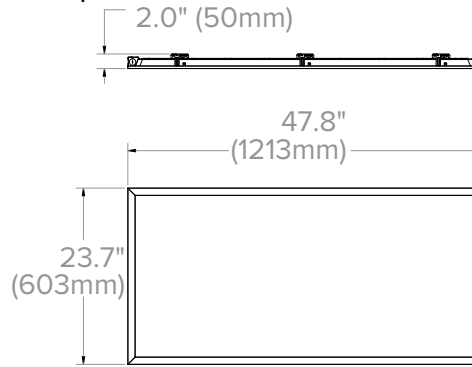
DATE:	LOCATION:
TYPE:	PROJECT:
CATALOG #:	

DIMENSIONS

2x2 example

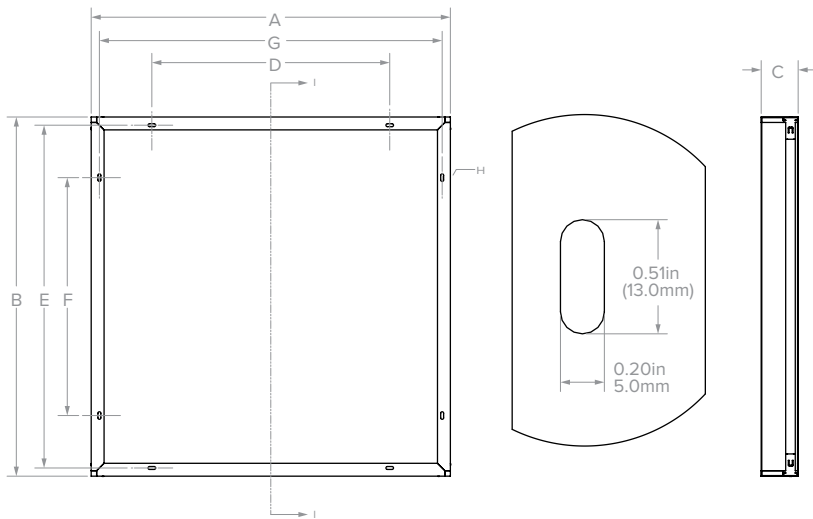


2x4 example

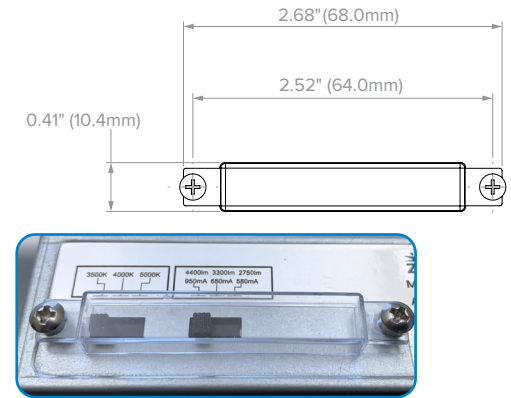


ACCESSORY DIMENSIONS

Surface Mount PSMK Dimensions - 2x2 example see below chart for all size dimensions



PSC Switch Cover

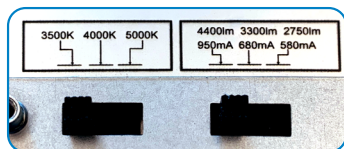


Product Code	Description	A (in)	B (in)	C (in)	D (in)	E (in)	F (in) Between Holes	G (in)
93302543	PSMK-14	12.05	48.0	2.5	1 hole	46.88	16.0 (3 holes)	10.92
93302544	PSMK-22	24.16	24.16	2.5	16.0	23.06	16.0	23.06
93302545	PSMK-24	24.16	48.0	2.5	16.0	46.88	16.0 (3 holes)	23.06

ADDITIONAL INFO

LSCS Switches Default Settings

Maximum Lumen Output and 3500K CCT



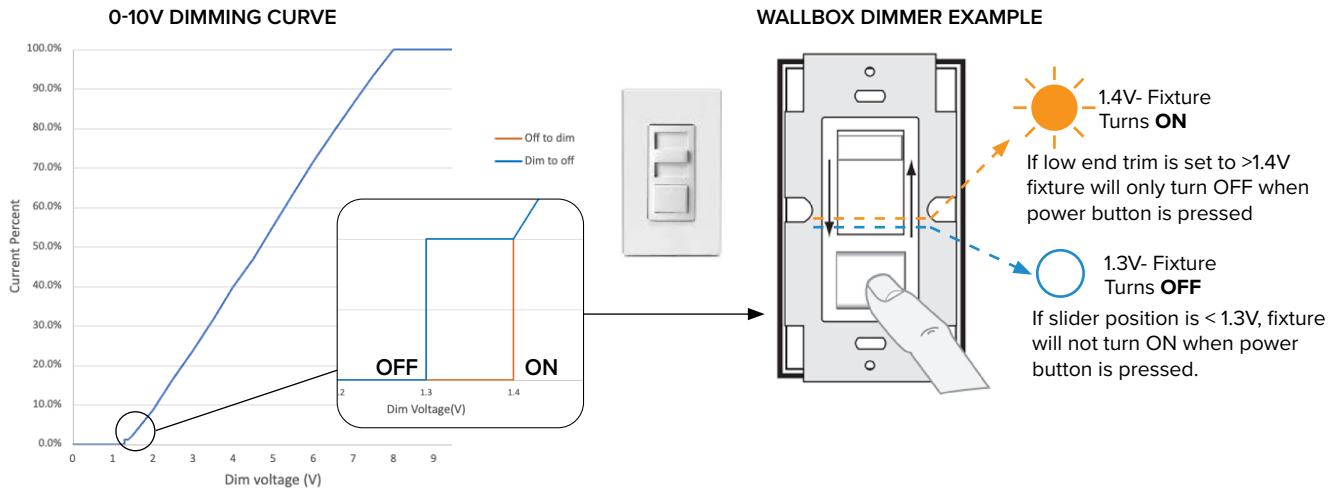
0-10V DIMMER COMPATIBILITY

Fixture operates at 120-277V. 0-10V dimmable driver, down to 1%.
1V minimum low-end trim recommended when paired with a 0-10V dimmer.

List of suitable dimmers based on laboratory testing. Compatibility must be verified by customer before install. Columbia cannot guarantee dimmer compatibility

- NX Lighting Controls RSD710
- LUTRON DDTV
- Synergy® ISD BC120/277
- NX Lighting Controls PSD710
- LUTRON NTSTV-DV
- Enerlites® 51300L
- Lutron® Diva DVST
- Eaton® DF10P-C1

ADDITIONAL DIMMING INFORMATION: DIMMING CURVE



DIM TO DARK FUNCTION

Dimmer Low End Trim Settings	ON/OFF Operation		Dimmer Control Range
> 1.4V	ON/OFF Toggle power control only		Full output to Low End Trim Setting
1.3V to 1.4V	ON Adjust dimmer control above 1.4V + Set power control to ON	OFF Set power control to OFF	Full output to Low End Trim Setting
< 1.3V	ON Adjust dimmer control above 1.4V + Set power control to ON	OFF Set power control to OFF or Adjust dimmer below 1.3V level	Full output to OFF