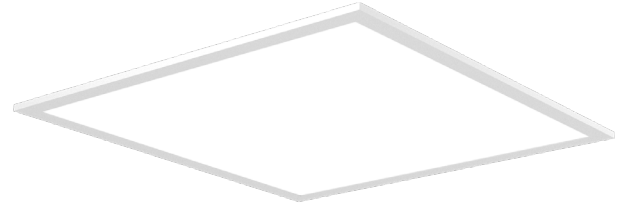


DATE:	LOCATION:
TYPE:	PROJECT:
CATALOG #:	

tradeSELECT®



FEATURES

- Switchable Lumen technology:
4400/3300/2750 lumens (1x4 and 2x2)
5500/4400/3300 lumens (2x4)
- Switchable CCT technology: 3500/4000/5000K
- 1x4, 2x2, and 2x4 sizes
- 80 CRI
- 0–10V dimming to 10%
- Universal voltage (120–277V)
- IC rated
- Smooth even illumination across the face of the luminaire



SPECIFICATIONS

CONSTRUCTION

- Aluminum lens frame has a matte white finish
- Luminaire housing is die formed code-gauge steel

OPTICS

- Acrylic micro-optics over each LED provide edge to edge illumination without pixelation or bright spots
- Frosted/textured lens provides smooth surface brightness

INSTALLATION

- Integral T-bar clips for secure mounting to grid ceiling
- For surface mount applications use surface mount kit accessories

INSTALLATION (CONTINUED)

- For plaster or sheet rock installations, use flange kit accessories

ELECTRICAL

- 60,000 hour LEDs at L70 for reduced maintenance
- Operates at 120–277V. Dimming capability at 120V only
- 0–10V dimmable driver, down to 10%
- Switchable Lumen and Switchable CCT technology allows for easy field-adjustable lighting output with switch located on back of panel
- Switchable Lumen fixtures ship at the highest lumen output

CERTIFICATIONS

- All luminaires are built to UL 1598 standards and bear appropriate cULus labels
- Damp location label standard
- Adheres to LM79, LM80, and TM21 industry standards for photometrics and lifetime calculations
- DLC® (DesignLights Consortium) Qualified. Please refer to the DLC website for specific product qualifications at www.designlights.org

WARRANTY

- 5 year warranty

KEY DATA	
Lumen Range	3044–8018
Wattage Range	24–65
Efficacy Range (LPW)	117–136
Reported Life (Hours)	L70/60,000

ORDERING GUIDE

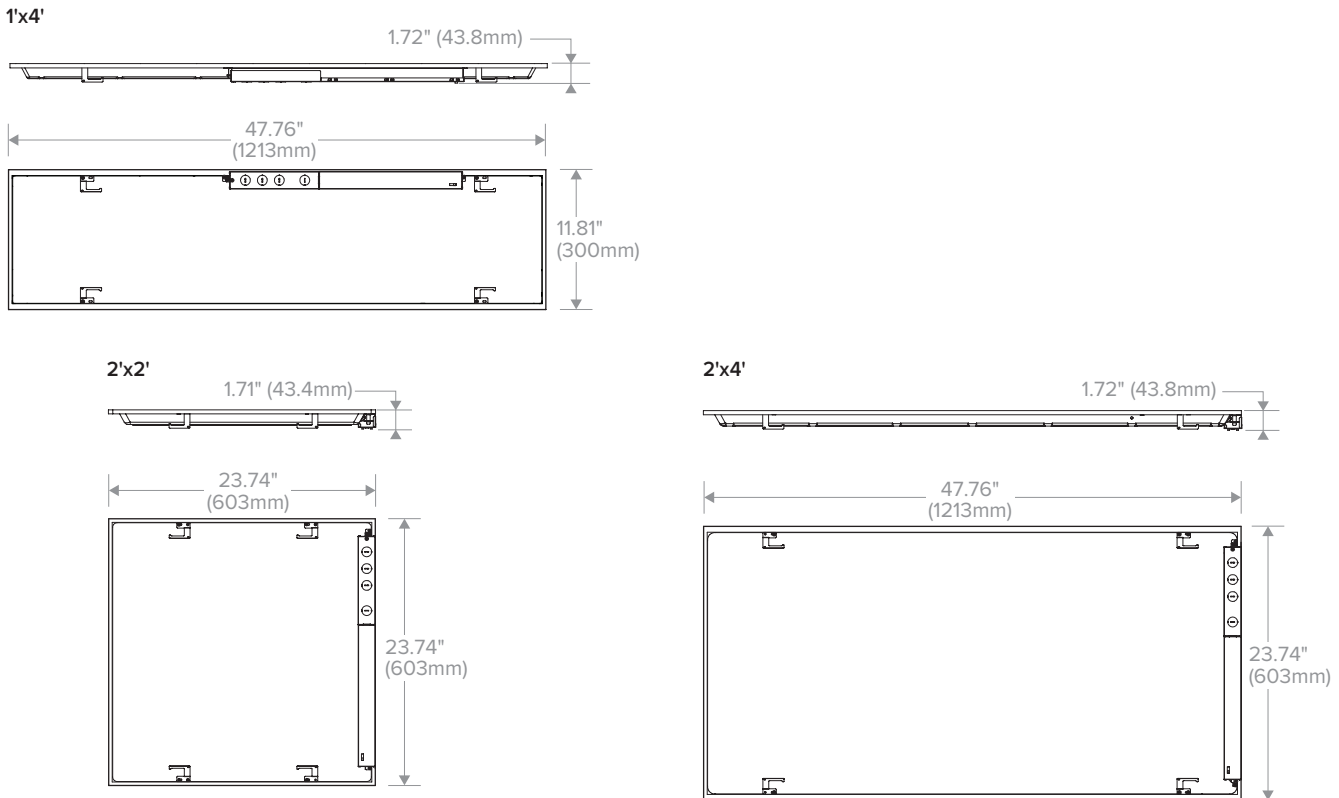
Catalog No.	UPC	Description	Setting	Lumens			Watts	LPW		
				3500K	4000K	5000K		3500K	4000K	5000K
<input type="checkbox"/> CBT14-LSCS	840141401867	1x4 Back-Lit Troffer, 4400/3300/2750 Switchable Lumens, 3500/4000/5000K Switchable CCT	LOW	3068	3175	3120	24	128	132	130
			MED	3473	3611	3563	28	124	129	127
			HIGH	4500	4731	4587	38	118	124	120
<input type="checkbox"/> CBT22-LSCS	840141401874	2x2 Back-Lit Troffer, 4400/3300/2750 Switchable Lumens, 3500/4000/5000K Switchable CCT	LOW	3044	3154	3097	24	127	131	129
			MED	3445	3583	3497	28	124	128	125
			HIGH	4490	4702	4545	38	118	124	120
<input type="checkbox"/> CBT24-LSCS	840141401881	2x4 Back-Lit Troffer, 5500/4400/3300 Switchable Lumens, 3500/4000/5000K Switchable CCT	LOW	3595	3733	3702	28	130	135	134
			MED	4951	5185	5090	38	130	136	134
			HIGH	5937	6211	6053	48	123	129	125
<input type="checkbox"/> CBT24-75CS	840141403083	2x4 Back-Lit Troffer, 7500 Lumens, 3500/4000/5000K Switchable CCT	-	7611	8018	7823	65	117	123	120
<input type="checkbox"/> CBT14-LSCS-ELL10	840141403984	1x4 Back-Lit Troffer, 4400/3300/2750 Switchable Lumens, 3500/4000/5000K Switchable CCT, 1000 Lumen Emergency Battery Pack	LOW	3068	3175	3120	24	128	132	130
			MED	3473	3611	3563	28	124	129	127
			HIGH	4500	4731	4587	38	118	124	120
<input type="checkbox"/> CBT22-LSCS-ELL10	840141403991	2x2 Back-Lit Troffer, 4400/3300/2750 Switchable Lumens, 3500/4000/5000K Switchable CCT, 1000 Lumen Emergency Battery Pack	LOW	3044	3154	3097	24	127	131	129
			MED	3445	3583	3497	28	124	128	125
			HIGH	4490	4702	4545	38	118	124	120
<input type="checkbox"/> CBT24-LSCS-ELL10	840141404004	2x4 Back-Lit Troffer, 5500/4400/3300 Switchable Lumens, 3500/4000/5000K Switchable CCT, 1000 Lumen Emergency Battery Pack	LOW	3595	3733	3702	28	130	135	134
			MED	4951	5185	5090	38	130	136	134
			HIGH	5937	6211	6053	48	123	129	125
<input type="checkbox"/> CBT24-75CS-ELL10	840141404257	2x4 Back-Lit Troffer, 7500 Lumens, 3500/4000/5000K Switchable CCT, 1000 Lumen Emergency Battery Pack	-	7611	8018	7823	65	117	123	120

Accessories (Order Separately)

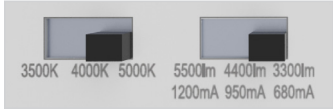
- FK14** 1x4 Single Flange Kit
- FK22** 2x2 Single Flange Kit
- FK24** 2x4 Single Flange Kit
- SRPSMK14** 1x4 Surface Mount Kit¹
- SRPSMK22** 2x2 Surface Mount Kit¹
- SRPSMK24** 2x4 Surface Mount Kit¹

Notes:
1 Surface Mount kits not compatible with ELL10.

DIMENSIONS



ADDITIONAL INFORMATION



Switchable Lumen / Switchable CCT technology

PHOTOMETRY

CBT24-LSCS

LUMINAIRE DATA

Test No.	CBT24-LSCS_4000K_28W
Description	CBT Back-lit Troffer 2'x4' 4000K 28W
Delivered Lumens	3777
Watts	26.91
Efficacy	140
Mounting	Recessed
Spacing Criterion	0° = 1.30 90° = 1.29

ZONAL LUMEN SUMMARY

Zone	Lumens	% Luminaire
0-30	971	25.7
0-40	1608	42.6
0-60	2913	77.1
0-90	3774	100.0
0-180	3777	100.0

POLAR GRAPH

