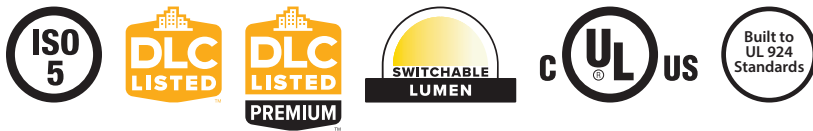


DATE:	LOCATION:
TYPE:	PROJECT:
CATALOG #:	

tradeSELECT®

FEATURES

- Switchable Lumen technology:
5500/4100/3400 lumens (1x4, 2x4)
4000/3300/2800 lumens (2x2)
- 1x4, 2x2, and 2x4 sizes
- 80 CRI
- 0–10V dimming to 10%
- Recessed, surface, or cable mount
- Universal voltage (120–277V)
- IC rated
- Suitable for ISO Class 5–9 positive pressure and negative cleanrooms



SPECIFICATIONS

CONSTRUCTION

- Extruded aluminum frame has a matte white finish and smooth frame-to-lens transition

OPTICS

- Acrylic blend light guide with frosted/ textured outer lens provides edge to edge illumination without pixelation or bright spots

INSTALLATION

- Integral T-bar clips for secure mounting to grid ceiling
- For surface/cable mount applications use surface/cable mount kit accessories
- For plaster or sheet rock installations, use flange kit

ELECTRICAL

- 54,000 hour LEDs at L70 for reduced maintenance
- Switchable Lumen technology allows for easy field-adjustable lighting output with three level switch located on back of panel
- Switchable Lumen fixtures ship at the highest lumen output setting
- Operates at 120-277V input
- 0–10V dimmable driver, down to 10%

CERTIFICATIONS

- All luminaires are built to UL 1598 standards and bear appropriate cULus labels
- CSA certified to UL 924 standards with battery pack

CERTIFICATIONS (CONTINUED)

- Damp location label standard
- Tested in accordance with ISO 14644-1; suitable for ISO Class 5–9 positive and negative pressure clean rooms
- Adheres to LM79, LM80, and TM21 industry standards for photometrics and lifetime calculations
- DLC® (DesignLights Consortium Qualified, with some Premium Qualified configurations. Please refer to the DLC website for specific product qualifications at www.designlights.org)

WARRANTY

- 5 year warranty

KEY DATA	
Lumen Range	2876–7534
Wattage Range	25–56
Efficacy Range (LPW)	102–137
Reported Life (Hours)	L70/54,000

ORDERING GUIDE

Catalog No.	UPC	Description	Delivered Lumens	Watts	LPW
CFP14-55/41/3435	078531140953	1x4 Edge-Lit Flat Panel, 5500/4100/3400 Switchable Lumens, 3500K	5880	50	117
			4837	40	121
			3847	31	125
CFP14-55/41/3440	078531140960	1x4 Edge-Lit Flat Panel, 5500/4100/3400 Switchable Lumens, 4000K	6084	50	122
			5035	40	126
			3980	31	130
CFP22-40/33/2835	078531140977	2x2 Edge-Lit Flat Panel, 4000/3300/2800 Switchable Lumens, 3500K	4281	40	108
			3338	30	113
			2876	25	115
CFP22-3335-HE	078531140571	2x2 Edge-Lit Flat Panel, 3300 Lumens, 3500K	3469	26	131
CFP22-40/33/2840	078531140984	2x2 Edge-Lit Flat Panel, 4000/3300/2800 Switchable Lumens, 4000K	5001	40	125
			3905	30	131
			3382	26	133
CFP22-3340-HE	078531140595	2x2 Edge-Lit Flat Panel, 3300 Lumens, 4000K	3502	26	134
CFP24-55/41/3435	078531140991	2x4 Edge-Lit Flat Panel, 5500/4100/3400 Switchable Lumens, 3500K	5024	49	102
			4069	39	104
			3197	30	107
CFP24-4135-HE	078531140632	2x4 Edge-Lit Flat Panel, 4100 Lumens, 3500K	4103	32	129
CFP24-55/41/3440	078531141004	2x4 Edge-Lit Flat Panel, 5500/4100/3400 Switchable Lumens, 4000K	6143	50	122
			5030	40	125
			3945	31	128
CFP24-4140-HE	078531140656	2x4 Edge-Lit Flat Panel, 4100 Lumens, 4000K	4350	32	137
CFP24-7535	078531140687	2x4 Edge-Lit Flat Panel, 7500 Lumens, 3500K	7364	56	132
CFP24-7540	078531140694	2x4 Edge-Lit Flat Panel, 7500 Lumens, 4000K	7534	56	135

QS7 **10-Day Quick-Ship options:**
 Add **ELL14**¹ (Emergency Battery Pack Installed, 1400 Lumens) or **C588** (5-wire Flex) to any stocked option.
 Examples: **CFP14-55/41/3435-ELL14**; **CFP14-55/41/3435-C588**

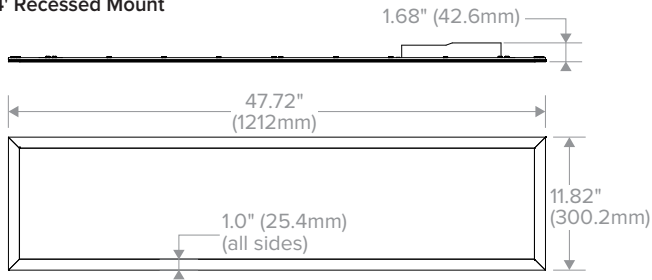
Accessories (Order Separately)	
PLD10M	Dual-Lite® Emergency LED Battery Pack, field installed ¹
PLRTS	Remote Test Switch/Charge Indicator Module (fits single-gang box)
FK14	1x4 Single Flange Kit
FK22	2x2 Single Flange Kit
FK24	2x4 Single Flange Kit
SRPSMK-14	1x4 CFP Surface Mount Kit
SRPSMK-22	2x2 CFP Surface Mount Kit
SRPSMK-24	2x4 CFP Surface Mount Kit
CFPCM36Y SC5F-KIT	36" Cable Mount Kit for 1' or 2' wide Cable Mount fixtures, 5-wire

Notes:

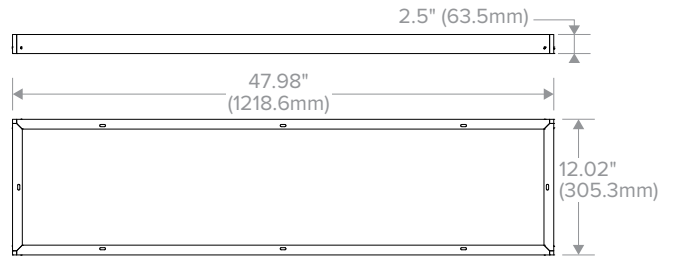
¹ Fixtures with Emergency Battery Pack require a remote-mounted test switch, we suggest the Dual-Lite PLRTS.

DIMENSIONS

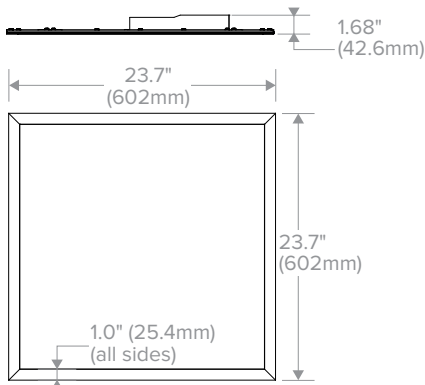
1'x4' Recessed Mount



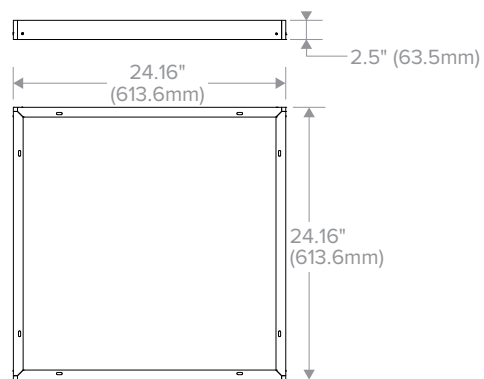
1'x4' Surface Mount



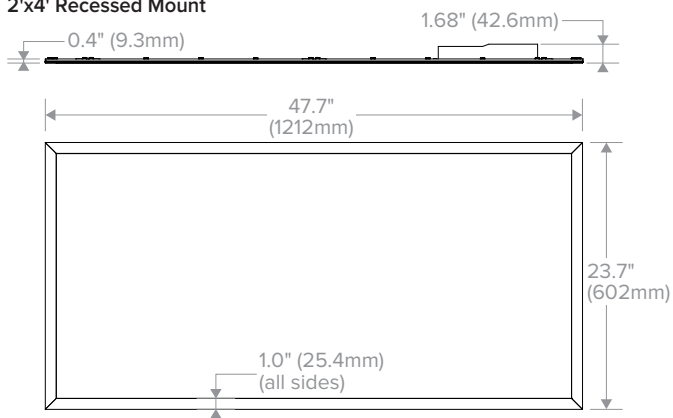
2'x2' Recessed Mount



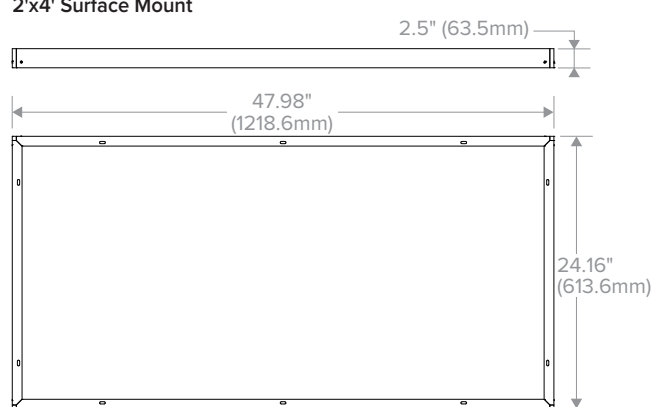
2'x2' Surface Mount



2'x4' Recessed Mount



2'x4' Surface Mount



PHOTOMETRY

CFP22-40/33/2835 set for 3300lm

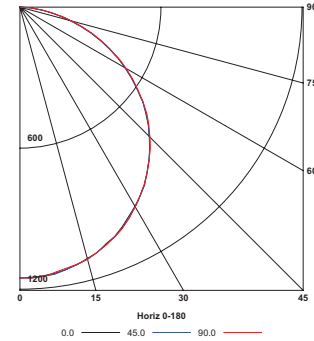
LUMINAIRE DATA

Test No.	19.02140
Description	CFP LED Edge-Lit, Recessed 2' x 2' Switchable Lumen Flat Panel Set For 3300lm
Delivered Lumens	3339
Watts	29.54
Efficacy	113
Mounting	Recessed
Spacing Criterion	0° = 1.26 90° = 1.26

ZONAL LUMEN SUMMARY

Zone	Lumens	% Luminaire
0-30	898	26.9
0-40	1474	44.1
0-60	2620	78.5
0-90	3339	100.0
0-180	3339	100.0

POLAR GRAPH



CFP24-55/41/3435 set for 4100lm

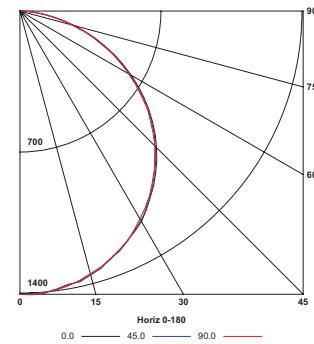
LUMINAIRE DATA

Test No.	19.02146
Description	CFP LED Edge-Lit, Recessed 2' x 4' Switchable Lumen Flat Panel Set For 4100lm
Delivered Lumens	4072
Watts	39.13
Efficacy	104
Mounting	Recessed
Spacing Criterion	0° = 1.27 90° = 1.26

ZONAL LUMEN SUMMARY

Zone	Lumens	% Luminaire
0-30	1097	26.9
0-40	1800	44.2
0-60	3197	78.5
0-90	4072	100.0
0-180	4072	100.0

POLAR GRAPH



CFP24-7535

LUMINAIRE DATA

Test No.	19.01600
Description	CFP LED Edge-Lit, Recessed 2x4 tradeSELECT Flat Panel
Delivered Lumens	7364
Watts	55.91
Efficacy	132
Mounting	Recessed
Spacing Criterion	0° = 1.26 90° = 1.26

ZONAL LUMEN SUMMARY

Zone	Lumens	% Luminaire
0-30	1978	26.9
0-40	3248	44.1
0-60	5776	78.4
0-90	7364	100.0
0-180	7964	100.0

POLAR GRAPH

