

DATE:	LOCATION:
TYPE:	PROJECT:
CATALOG #:	

tradeSELECT®



FEATURES

- Lumen packages ranging from 10,000 to 57,000 lumens
- Wide and narrow lens distribution options
- -40°C to 50°C ambient operating temperatures
- 4000/5000K options with 80 CRI
- IP4X Rated



SPECIFICATIONS

CONSTRUCTION

- Durable extruded aluminum housing for shipment and job site handling

OPTICS

- Wide distribution standard, narrow distribution option
- Polycarbonate lens with diffusion for distribution and glare reduction

INSTALLATION

- Cable mount option
- Pendant mount available through ¾" KO on back of housing
- Surface mount brackets available

ELECTRICAL

- Efficient LED light engine (up to 158 LPW)
- Long life LEDs >54,000 at L70
- 0–10V dimming standard with dimming range of 100% to 10%
- Available in 120–277V and 347–480V
- 6kV standard surge protection

CERTIFICATIONS

- All luminaires are built to UL 1598 standards, and bear appropriate cULus labels for damp location

CERTIFICATIONS (CONTINUED)

- DLC® (DesignLights Consortium) Qualified, with some Premium Qualified configurations. Please refer to the DLC website for specific product qualifications at www.designlights.org
- IP4X rated
- IK10 impact rated

WARRANTY

- 5 year warranty

KEY DATA	
Lumen Range	10,000–57,000
Wattage Range	75–388
Efficacy Range (LPW)	137–158
Reported Life (Hours)	L70/54,000

ORDERING GUIDE

Example: CLB4-40MH-N-EDU

CATALOG #

CLB		Color Temp		Lumen Output		Distribution		ED		
Model	Size							Driver	Voltage	
CLB Linear High Bay	2 2'	40	4000K	LX	2' (10,000)	N	Narrow	ED	0-10V Dimming	U Universal (120-277V) HV High Voltage (347-480V)
	4 4'	50	5000K	MM	2' (14,000)					
				MH	2' (24,000)					
				MV	2' (30,000)					
				MX	4' (36,000)					
				HM	4' (42,000)					
				HH	4' (57,000)					

Options	Control Options
C6TL20_ 6' Cord and Twist-Lock™ Plug 20A (Add Voltage 1=120, 2=277, 4=480)	Current Controls Standalone
C6TL15_ 6' Cord and Twist-Lock™ Plug 15A (Add Voltage 1=120, 2=277)	WSP360 Integral WSPMUNV PIR Occupancy Sensor with photocell and 360° Lens ³
F3C5 5' Cord, 3-Wire	WSPA Integral WSPMUNV PIR Occupancy Sensor with photocell and Aisle Lens ³
F4C5 5' Cord, 4-Wire	WSPD360 Integral WSPDEMUNV PIR Occupancy Sensor with Automatic Dimming photocell and 360° Lens ⁴
F5C5 5' Cord, 5-Wire	WSPDA Integral WSPDEMUNV PIR Occupancy Sensor with Automatic Dimming photocell and Aisle Lens ⁴
F6C5 5' Cord, 6-Wire	WSPDBT360 Bluetooth Programmable, WSPDBEMUNV PIR Occupancy Sensor with Automatic Dimming Photocell and 360° Lens ⁵
C388 3-Wire Flex	WSPDBTA Bluetooth Programmable, WSPDBEMUNV PIR Occupancy Sensor with Automatic Dimming Photocell and Aisle Lens ⁵
C488 4-Wire Flex	Third-Party Control Options
C588 5-Wire Flex	FSP221B-FSPL7 Dimming Occupancy/Daylight Sensor, 1-relay, 360 lens, 120-480V ⁷
C688 6-Wire Flex	OSFHU-360 On/ Off Occupancy Sensor, 360 Lens, 120-347V Only ⁸
ELL15 15W Emergency Battery Pack ^{12,6}	OSFHU-A On/ Off Occupancy Sensor, Aisle Lens, 120-347V Only ⁸
	HB011-360 Dimming Occupancy Sensor, 360 Lens, 120-277V Only ⁹
	HB011-A Dimming Occupancy Sensor, Aisle Lens, 120-277V Only ⁹

Accessories (Order Separately)	
LHVQM5	Aircraft Cable, 5' Pair
LHVQM10	Aircraft Cable, 10' Pair
CLB-SMB	Surface Mount Bracket Kit

Notes:

- Battery only available in 120-277V
- Ambient temperature operating range of 0°C to 40°C with ELL15 option
- WSP360/A sensor option will use WASP End Mount Sensor
- WSPD360/A sensor option will use Dimming WASP End Mount Sensor
- WSPDBT360/A sensor option will use Bluetooth WASP End Mount Sensor
- ELL15 emergency output is approximately 2,100 Lumens
- FSP221B-FSPL7 sensor option will use the Wattstopper FSP-221B end mount sensor
- OSFHU-360/A sensor options will use the Leviton OSFHU-ITW end mount sensor
- HB011-360/A sensor options will use the Leviton HB011-PDX end mount sensor

STOCK GUIDE

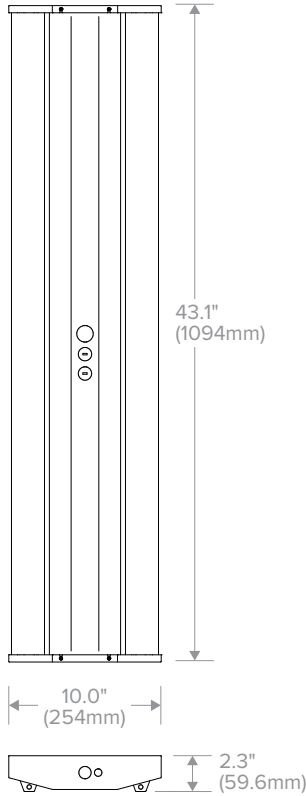
Catalog Number	Nominal Lumens	Color	Delivered Lumens	Wattage	LPW	Pallet QTY
CLB2-40LX-W-EDU	2' LX (10,000)	4000K	10,527	75.9	139	78
CLB2-50LX-W-EDU		5000K	10,477	73.7	142	78
CLB2-40MM-W-EDU	2' MM (14,000)	4000K	15,091	100.2	151	78
CLB2-50MM-W-EDU		5000K	13,717	98.9	139	78
CLB2-40MH-W-EDU	2' MH (24,000)	4000K	20,831	153.9	135	78
CLB2-50MH-W-EDU		5000K	22,297	148.7	150	78
CLB2-40MV-W-EDU	2' MV (30,000)	4000K	26,364	191.2	138	52
CLB2-50MV-W-EDU		5000K	29,674	201.0	148	52
CLB4-40MX-W-EDU	4' MX (36,000)	4000K	35,051	240.9	145	39
CLB4-50MX-W-EDU		5000K	37,145	242.0	154	39
CLB4-40HM-W-EDU	4' HM (42,000)	4000K	42,810	299.0	143	39
CLB4-50HM-W-EDU		5000K	44,006	301.6	146	39
CLB4-40HH-W-EDU	4' HH (57,000)	4000K	57,047	388.2	147	52
CLB4-50HH-W-EDU		5000K	55,637	393.7	141	52

DELIVERED LUMENS

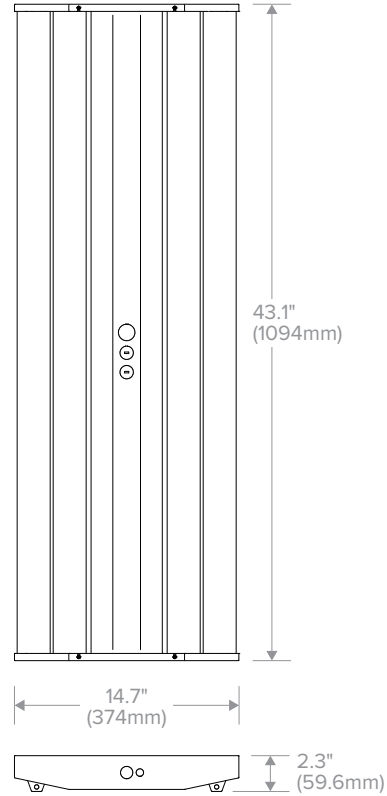
Catalog Number	Nominal Lumens	Color	Delivered Lumens	Wattage	LPW
CLB2-40LX-N-EDU	2' LX (10,000)	4000K	10,791	75.9	142
CLB2-40LX-W-EDU			10,527	75.9	139
CLB2-50LX-N-EDU		5000K	10,578	73.9	143
CLB2-50LX-W-EDU			10,477	73.7	142
CLB2-40MM-N-EDU	2' MM (14,000)	4000K	14,911	100.0	149
CLB2-40MM-W-EDU			15,091	100.2	151
CLB2-50MM-W-EDU		5000K	13,717	98.9	139
CLB2-50MM-N-EDU			13,573	98.9	137
CLB2-40MH-N-EDU	2' MH (24,000)	4000K	20,235	147.9	137
CLB2-40MH-W-EDU			20,831	153.9	135
CLB2-50MH-N-EDU		5000K	23,970	152.1	158
CLB2-50MH-W-EDU			22,297	148.7	150
CLB2-40MV-N-EDU	2' MV (30,000)	4000K	27,181	191.0	142
CLB2-40MV-W-EDU			26,364	191.2	138
CLB2-50MV-N-EDU		5000K	30,160	200.8	150
CLB2-50MV-W-EDU			29,674	201.0	148
CLB4-40MX-N-EDU	4' MX (36,000)	4000K	34,922	240.7	145
CLB4-40MX-W-EDU			35,051	240.9	145
CLB4-50MX-N-EDU		5000K	36,769	241.6	152
CLB4-50MX-W-EDU			37,145	242.0	154
CLB4-40HM-N-EDU	4' HM (42,000)	4000K	42,170	298.3	141
CLB4-40HM-W-EDU			42,810	299.0	143
CLB4-50HM-N-EDU		5000K	45,507	300.3	152
CLB4-50HM-W-EDU			44,006	301.6	146
CLB4-40HH-N-EDU	4' HH (57,000)	4000K	57,642	388.1	149
CLB4-40HH-W-EDU			57,047	388.2	147
CLB4-50HH-N-EDU		5000K	55,280	397.0	139
CLB4-50HH-W-EDU			55,637	393.7	141

DIMENSIONS

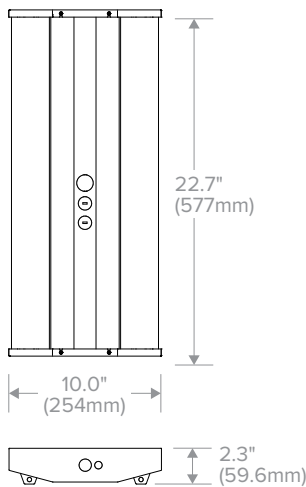
MX & HM MODELS



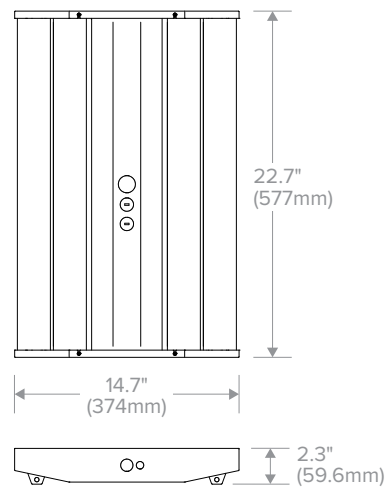
HH MODEL



LX, MM & MH MODELS

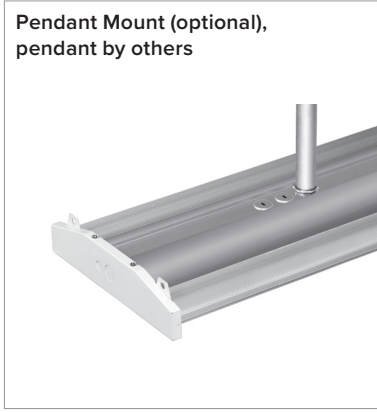


MV MODEL



ADDITIONAL INFORMATION

MOUNTING OPTIONS



PHOTOMETRY

CLB2-40MH-W-EDU

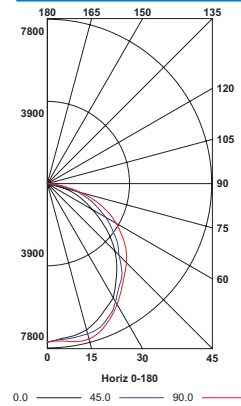
LUMINAIRE DATA

Test No.	CLB2-40MH-W-EDU
Description	Columbia Linear Highbay
Delivered Lumens	20844
Watts	153.875
Efficacy	135
Spacing Criterion	0° = 1.23 90° = 1.29

ZONAL LUMEN SUMMARY

Zone	Lumens	% Luminaire
0-30	5950	28.5
0-40	9666	46.4
0-60	16795	80.6
0-90	20841	100.0
0-180	20844	100.0

INDOOR CANDELA PLOT



CLB4-40MX-N-EDU

LUMINAIRE DATA

Test No.	CLB4-40MX-N-EDU
Description	Columbia Linear Highbay
Delivered Lumens	34953
Watts	240.732
Efficacy	145
Spacing Criterion	0° = 1.25 90° = 1.06

ZONAL LUMEN SUMMARY

Zone	Lumens	% Luminaire
0-30	11717	33.5
0-40	18417	52.7
0-60	29401	84.1
0-90	34944	100.0
0-180	34953	100.0

INDOOR CANDELA PLOT

