

DATE:	LOCATION:
TYPE:	PROJECT:
CATALOG #:	

tradeSELECT®

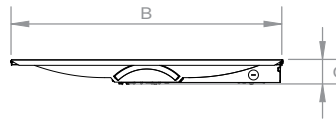


FEATURES

- Switchable Lumen technology:
3250/3750/5000 lumens (2x2 size)
3750/5000/6000 lumens (2x4 size)
- Switchable CCT technology: 3500/4000/5000K
- 80+ CRI
- 0-10V 1% Dim to Off driver (standard) provides superior dimming capabilities
- 120-347V, standard
- 5-Wire flex and EM battery pack options available
- Up to 157 lumens per watt



SERVICE PROGRAM



Typical Dimensions and Weights				
Sizes	(A) Length Inches (mm)	(B) Width Inches (mm)	(C) Height Inches (mm)	Weight lbs (kg)
2x2'	23.74 (603)	23.74 (603)	2.15 (54.6)	6.4 (2.9)
2x4'	47.76 (1213)			11.7 (5.3)

SPECIFICATIONS

CONSTRUCTION

- Low profile design is ideal for shallow plenum applications
- Luminaire housing is die formed code-gauge steel
- Matte, white paint for soft, uniform illumination

OPTICS

- Frosted lens has a textured finish that provides a smooth, even illumination

INSTALLATION

- Fully assembled for quick installation
- Integral T-bar clips for secure mounting to 9/16" and 15/16" grid ceiling
- For surface mount applications, use surface mount kit accessories
- For plaster or sheet rock installations, use flange kit accessories

ELECTRICAL

- Operates at 120–347V. 1.3V minimum low-end trim recommended when paired with a 0-10V dimmer
- 0–10V 1% Dim to Off driver is standard
- Switchable luminaire default settings at highest lumen output and 3500K

CERTIFICATIONS

- All luminaires are built to UL 1598 standards and bear appropriate CSA labels
- Damp location label standard
- DLC® (DesignLights Consortium Qualified.) Please refer to the DLC website for specific product qualifications at www.designlights.org

CERTIFICATIONS (CONTINUED)

- IC label is standard for recessed products. Note that IC label is void if product is installed on site with a combination of both battery pack and through wiring
- Adheres to LM79, LM80, and TM21 industry standards for photometrics and lifetime calculations
- Emergency battery pack options are California Energy Commission (CEC) Title 20 compliant

WARRANTY

- 5 year warranty

STOCK GUIDE



Catalog No.	UPC	Description	Setting	Lumens			Watts			LPW		
				3500K	4000K	5000K	3500K	4000K	5000K	3500K	4000K	5000K
<input type="checkbox"/> CLT22-LSCS-EDD	840141417356	2x2 Center Lens Troffer, 3250/3750/5000 Switchable Lumens, 3500/4000/5000K Switchable CCT; 0-10V Dim-to-Off Driver; 120-347V	LOW	3279	3423	3339	23	143	149	145	145	
			MED	3786	3980	3863	27	140	147	143	143	
			HIGH	5009	5338	5083	38	132	140	134	134	
<input type="checkbox"/> CLT24-LSCS-EDD	840141417363	2x4 Center Lens Troffer, 3750/5000/6000 Switchable Lumens, 3500/4000/5000K Switchable CCT; 0-10V Dim-to-Off Driver; 120-347V	LOW	3820	3923	3864	25	153	157	155	155	
			MED	5053	5228	5097	35	144	149	146	146	
			HIGH	6244	6497	6276	45	139	144	139	139	

Default setting for CCT is 3500K and High lumen level

DATE: _____ LOCATION: _____
 TYPE: _____ PROJECT: _____
 CATALOG #: _____

ORDERING GUIDE

Example: CLT22-LSCS-EDD-ELL14

CLT		LSCS	EDD	Options
Model	Size	Lumen Output	Driver	
CLT	22 2'x2'	LSCS Lumen & CCT Switchable ¹	EDD 0-10V Dim to Off	ELL14 10W Emergency Battery Pack (CEC Title 20 Compliant) Installed ²
Center Lens Troffer	24 2'x4'			C588 5-wire Flex

- Notes:
- 1 Default settings for CLT is 3500K and the HIGH lumen setting
 - 2 To determine the lumen output in emergency mode, multiply the battery wattage by the fixture lumens per watt (LPW)

ACCESSORY ORDERING GUIDE

Accessories (Order Separately)				
Catalog #	Part #	UPC	Description	
FK22	FK22	078531000752	2' x 2' Single Flange Kit (Shipped separately)	
FK24	FK24	078531038991	2' x 4' Single Flange Kit (Shipped separately)	
PSMK-22	93302544	662055127912	2x2 Shallow Surface Mount Kit, 63mm	
PSMK-24	93302545	662055127929	2x4 Shallow Surface Mount Kit, 63mm	
DSMK-22	93313898	840141433219	2x2 Deep Surface Mount Kit, 110mm, for use with ELL14 option	
DSMK-24	93313899	840141433226	2x4 Deep Surface Mount Kit, 110mm, for use with ELL14 option	

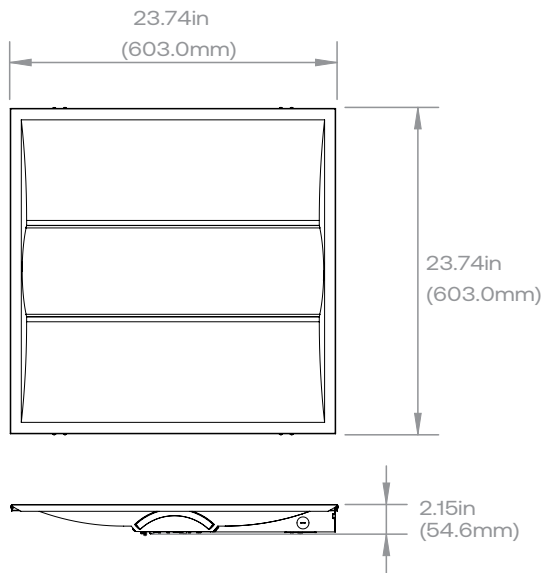
PROJECTED LUMEN MAINTENANCE

Calculation Method	Ambient Temp	25,000 hrs	50,000 hrs	60,000 hrs *
TM-21-11	40°C/104°F	0.95	0.89	0.87
TM-21-22	40°C/104°F	0.95	0.89	0.87

* Lumen maintenance values calculated per TM-21 using six times the LM-80 test time for the LED and in-situ thermal testing of the luminaire.

DIMENSIONS

2X4 GRID CEILING



2X4 GRID CEILING

