

DATE: _____ LOCATION: _____
 TYPE: _____ PROJECT: _____
 CATALOG #: _____

tradeSELECT®

FEATURES

- 4000K CCT or Switchable CCT (3500/4000/5000K) available
- Switchable Lumen Technology available
- Up to 123 lumens per watt
- 0–10V dimming to 10%
- For use in a wide range of surface mount ceiling and wall applications
- Universal Voltage (120–277V)
- 80+ CRI
- Acrylic lens for superior efficiency and resistance to UV aging



SPECIFICATIONS

CONSTRUCTION

- Steel housing and polycarbonate end caps

OPTICS

- Frosted acrylic lens

INSTALLATION

- Fully assembled for quick installation
- Electrical access from middle exterior of fixture
- Refer to installation instructions for more detail

ELECTRICAL

- 54,000 hour LEDs at L70 for reduced maintenance
- Operates at 120–277V input
- 0–10V dimmable driver, down to 10%

CERTIFICATIONS

- All luminaires are built to UL 1598 standards and bear appropriate ETL labels

CERTIFICATIONS (CONTINUED)

- Damp location label standard
- Adheres to LM79, LM80, and TM21 industry standards for photometrics and lifetime calculations
- DLC® (DesignLights Consortium) Qualified. Please refer to the DLC website for specific product qualifications at www.designlights.org

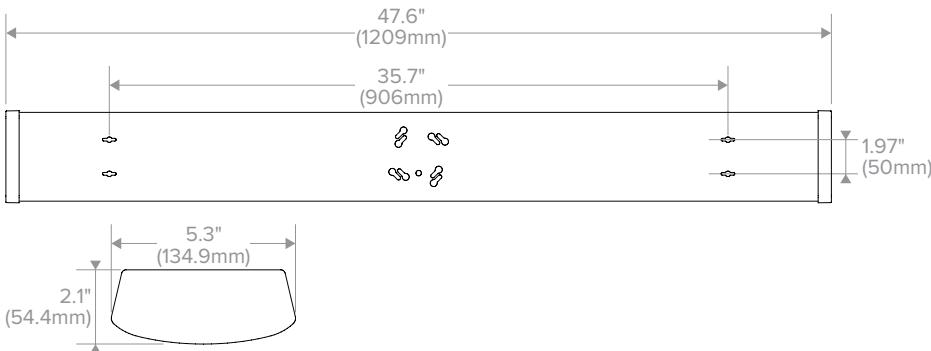
WARRANTY

- 5 year warranty

ORDERING GUIDE

Catalog No.	UPC	Description	Setting	Lumens			Watts	LPW		
				3500K	4000K	5000K		3500K	4000K	5000K
<input type="checkbox"/> CNW4-LSCS	840141402864	4' LED Narrow Wrap, 3000/3500/4000 Switchable Lumens, 3500/4000/5000K Switchable CCT, 0-10V dimming	LOW	3025	3050	3075	25	121	122	123
			MED	3540	3570	3600	30	118	119	120
			HIGH	4025	4060	4095	35	115	116	117
<input type="checkbox"/> CNW4-3540	840141400235	4ft LED Narrow Wrap, 4000K, 0–10V Dimming	–	3507			30	116		

DIMENSIONS



KEY DATA	
Lumens	3000–4000
Wattage	25–35
Efficacy (LPW)	115–123
Reported Life (Hours)	L70/54,000

PHOTOMETRY

CNW4-3540

LUMINAIRE DATA

Test No.	23865
Description	CNW 4ft Narrow Wrap 4000K 3500lm
Delivered Lumens	3507
Watts	30
Efficacy	116.7
Mounting	Surface
Spacing Criterion	0° = N/A 90° = N/A

ZONAL LUMEN SUMMARY

Zone	Lumens	% Luminaire
0-30	1022	29.1
0-40	1637	46.7
0-60	2779	79.2
0-90	3483	99.3
0-180	3507	100.0

POLAR GRAPH

