

DATE:	LOCATION:
TYPE:	PROJECT:
CATALOG #:	

tradeSELECT®



**FEATURES**

- Efficient wet location high bay
- Suitable for a variety of areas including warehouses, gyms, covered outdoor areas, garden centers and mezzanines
- Polycarbonate lens with reflector options provide glare reduction and aesthetic customization
- Efficacy up to 144 LPW assures energy savings over traditional high bay luminaires
- Offers lumen packages from 14,000 to 38,000 lms for proper illumination on a variety of high bay applications



**SPECIFICATIONS**

**CONSTRUCTION**

- Die cast aluminum housing
- Frosted polycarbonate lens standard
- Thermally separated electronic and LED heat sink design
- 6' wet location power and dimming cords standard

**INSTALLATION**

- Pendant mount from fixture eye bolt or 3/4" threaded conduit with snap hook accessory
- Symmetric for easy one-for-one replacement of existing high bays
- Weight: 15 lbs.

**ELECTRICAL**

- Long-life +54,000hr LEDs at L70
- Total input wattage of 100W / 150W / 200W / 240W / 270W
- Universal voltage standard (120–277V); 347V, 480V optional
- 6kV surge protection

**CONTROLS**

- Microwave occupancy sensor option available. Provides fixture dimming and daylighting functionality.

**CERTIFICATIONS**

- All luminaires are built to UL 1598 standards, and bear appropriate cULus labels for wet locations
- IP66 rated
- IK10 impact rated
- DLC® (DesignLights Consortium) Qualified, with some Premium Qualified configurations. Please refer to the DLC website for specific product qualifications at [www.designlights.org](http://www.designlights.org)

**WARRANTY**

- 5 year warranty

KEY DATA	
Lumen Range	14,000–38,000
Wattage Range	100–270
Efficacy Range (LPW)	124–144
Reported Life (Hours)	L70/>54,000

DATE:	LOCATION:
TYPE:	PROJECT:
CATALOG #:	

**ORDERING GUIDE**

Example: CRN2-40LX-EDU-FP

CATALOG #

CRN2	50		ED		FP	
Model	Color Temp	Nominal Lumens	Driver	Voltage	Lens	Options
CRN2 Wet Location High Bay	50 5000K <sup>1</sup>	LX 14,000 MM 21,000 MV 28,000 MX 34,000 HM 38,000	ED 0-10V Dimming	U 120-277V HV 347-480V <sup>2</sup>	FP Frosted Polycarbonate	OCS Microwave Occupancy Sensor, Dimming, with photocell 1:1, Mounting Height to Coverage Ratio <sup>3,4,5</sup>  TL15__ 6' Cord and Twist-Lock plug 15A (Add Voltage 1-120, 2-277) <sup>4</sup>  TL20__ 6' Cord and Twist-Lock plug 20A (Add Voltage 1-120, 2-277) <sup>4,6</sup>

Notes:

- For 40K, please see CRN Product family specification sheet
- Please check with Current customer service for 'HV' fixture availability
- Requires use of one commissioning remote per project
- Only available with 'U' Universal Voltage, 120-277V
- Not compatible with ELL25 25W emergency battery pack accessory
- Not compatible with OCS microwave occupancy sensor option
- Pendant mount slot on yoke is 1/2". Use CRN2-YOKE-ADPT to convert to 3/4"

Accessories (Order Separately)

- CRN2AL18 Aluminum Reflector
- CRN2WA18 Clear PC Reflector
- CRNWW18 Diffuse PC Reflector
- CRN2-YM Yoke Mount<sup>7</sup>
- CRN2-YOKE-ADPT Yoke 3/4" Conduit Adaptor
- CRN2-SNAPHOOK Snap Hook for 3/4" Conduit
- CRN2-TLR Top Luminaire Retainer
- CRN2-ELL25 25W battery pack<sup>4</sup>
- CRN2-HBMS-REMOTE Commissioning Remote

Note: CRN accessories are compatible with CRN2.

**STOCK GUIDE**

CRN Catalog Number	CRN2 Cat. # Cross	Description	Lumens (CRN2)	Watts	Lm/w	Qty on Pallet	HID Replacement
CRN-40LX-EDU	-	4000K, 120-277V, 0-10V dimming	14444	100.6	144	20	250W
CRN-50LX-EDU-FP	CRN2-50LX-EDU-FP	5000K, 120-277V, 0-10V dimming	14444	100.6	144	20	250W
CRN-40MM-EDU	-	4000K, 120-277V, 0-10V dimming	21702	150.6	144	20	400W
CRN-50MM-EDU-FP	CRN2-50MM-EDU-FP	5000K, 120-277V, 0-10V dimming	21702	150.6	144	20	400W
CRN-40MV-EDU	-	4000K, 120-277V, 0-10V dimming	27856	200.0	139	20	750W
-	CRN2-50MV-EDU-FP	5000K, 120-277V, 0-10V dimming	27856	200.0	139	20	750W
CRN-40MX-EDU	-	4000K, 120-277V, 0-10V dimming	34202	245.2	139	20	750W
CRN-50MX-EDU-FP	CRN2-50MX-EDU-FP	5000K, 120-277V, 0-10V dimming	34202	245.2	139	20	750W
-	CRN2-40HM-EDU-FP	4000K, 120-277V, 0-10V dimming	37927	271.4	140	20	1000W
-	CRN2-50HM-EDU-FP	4000K, 120-277V, 0-10V dimming	37927	271.4	140	20	1000W

SKU update in progress. If CRN (glass lens option) is no longer available, ordered items will be replaced with CRN2 (frosted polycarbonate lens option). Contact your Lighting representative for more information.

**ELECTRICAL DATA**

Output Version	Ambient Temp Range	Dimming Range	L70 Lumen Maintenance	Warranty
14,000 (LX)	-40° to 55°C	100% to 10%	54+ khrs	5 years
21,000 (MM)				
28,000 (MV)	-40° to 50°C			
34,000 (MX)				
38,000 (HM)	-40° to 45°C			

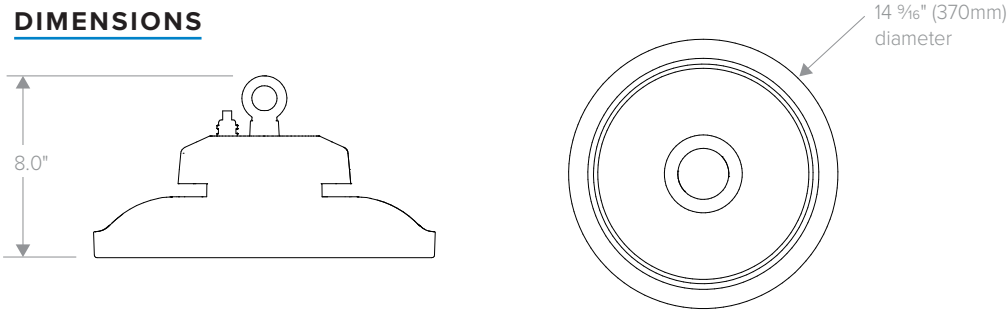
**DELIVERED LUMENS**

Fixture	Color	Nominal Lumens	Reflector	Lens	Lumens	Watts	LPW	Replaces legacy source	
CRN2-40LX-EDU-FP	4000K	LX 14,000	None	Frosted Polycarbonate	14444	100.6	144	250W HID	
CRN2-40LX-EDU-FP-WW18			Diffuse		13137	100.6	131		
CRN2-40LX-EDU-FP-WA18			Clear		13700	100.6	136		
CRN2-40LX-EDU-FP-AL18			Aluminum		12776	100.6	127		
CRN2-50LX-EDU-FP	5000K		LX 14,000	None	Frosted Polycarbonate	14444	100.6		144
CRN2-50LX-EDU-FP-WW18				Diffuse		13137	100.6		131
CRN2-50LX-EDU-FP-WA18				Clear		13700	100.6		136
CRN2-50LX-EDU-FP-AL18				Aluminum		12776	100.6		127
CRN2-40MM-EDU-FP	4000K	MM 21,000		None	Frosted Polycarbonate	21702	150.6	144	400W HID
CRN2-40MM-EDU-FP-WW18				Diffuse		19860	150.6	132	
CRN2-40MM-EDU-FP-WA18				Clear		20711	150.6	138	
CRN2-40MM-EDU-FP-AL18				Aluminum		19314	150.6	128	
CRN2-50MM-EDU-FP	5000K		MM 21,000	None	Frosted Polycarbonate	21702	150.6	144	
CRN2-50MM-EDU-FP-WW18				Diffuse		19860	150.6	132	
CRN2-50MM-EDU-FP-WA18				Clear		20711	150.6	138	
CRN2-50MM-EDU-FP-AL18				Aluminum		19314	150.6	128	
CRN2-40MV-EDU-FP	4000K	MV 28,000		None	Frosted Polycarbonate	27856	200.0	139	750W HID
CRN2-40MV-EDU-FP-WW18				Diffuse		25550	200.0	128	
CRN2-40MV-EDU-FP-WA18				Clear		26645	200.0	133	
CRN2-40MV-EDU-FP-AL18				Aluminum		24848	200.0	124	
CRN2-50MV-EDU-FP	5000K		MV 28,000	None	Frosted Polycarbonate	27856	200.0	139	
CRN2-50MV-EDU-FP-WW18				Diffuse		25550	200.0	128	
CRN2-50MV-EDU-FP-WA18				Clear		26645	200.0	133	
CRN2-50MV-EDU-FP-AL18				Aluminum		24848	200.0	124	
CRN2-40MX-EDU-FP	4000K	MX 34,000		None	Frosted Polycarbonate	34202	245.2	139	750W HID
CRN2-40MX-EDU-FP-WW18				Diffuse		31368	245.2	128	
CRN2-40MX-EDU-FP-WA18				Clear		32712	245.2	133	
CRN2-40MX-EDU-FP-AL18				Aluminum		30506	245.2	124	
CRN2-50MX-EDU-FP	5000K		MX 34,000	None	Frosted Polycarbonate	34202	245.2	139	
CRN2-50MX-EDU-FP-WW18				Diffuse		31368	245.2	128	
CRN2-50MX-EDU-FP-WA18				Clear		32712	245.2	133	
CRN2-50MX-EDU-FP-AL18				Aluminum		30506	245.2	124	
CRN2-40HM-EDU-FP	4000K	HM 38,000		None	Frosted Polycarbonate	37927	271.4	140	1000W HID
CRN2-40HM-EDU-FP-WW18				Diffuse		34848	271.4	128	
CRN2-40HM-EDU-FP-WA18				Clear		36342	271.4	134	
CRN2-40HM-EDU-FP-AL18				Aluminum		33891	271.4	125	
CRN2-50HM-EDU-FP	5000K		HM 38,000	None	Frosted Polycarbonate	37927	271.4	140	
CRN2-50HM-EDU-FP-WW18				Diffuse		34848	271.4	128	
CRN2-50HM-EDU-FP-WA18				Clear		36342	271.4	134	
CRN2-50HM-EDU-FP-AL18				Aluminum		33891	271.4	125	

# CRN2

WET LOCATION HIGH BAY

## DIMENSIONS



## PHOTOMETRY

### CRN2-50MV-EDU-FP

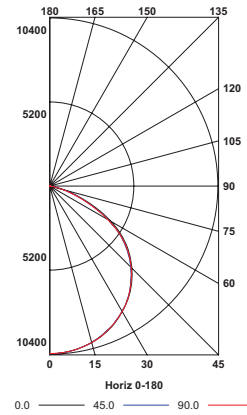
#### LUMINAIRE DATA

Test No.	CRN2-50MV-EDU-FP
Description	CRN2 Wet Location High Bay
Delivered Lumens	<b>27,874</b>
Watts	<b>200.02</b>
Efficacy	<b>139</b>
Mounting	Pendant
Spacing Criterion	0° = 1.28 90° = 1.28

#### ZONAL LUMEN SUMMARY

Zone	Lumens	% Luminaire
0-30	8136	29.2
0-40	13410	48.1
0-60	23670	84.9
0-90	27729	99.5
0-180	27874	100.0

#### POLAR GRAPH



### CRN2-50MV-EDU-FP-WA18

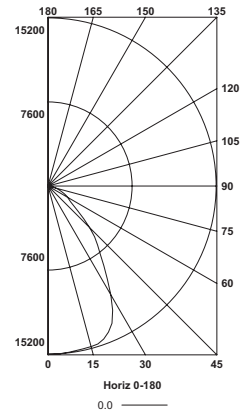
#### LUMINAIRE DATA

Test No.	CRN2-50MV-EDU-FP-WA18
Description	CRN2 Wet Location High Bay
Delivered Lumens	<b>26,678</b>
Watts	<b>200.02</b>
Efficacy	<b>133</b>
Mounting	Pendant
Spacing Criterion	0° = 1.09 90° = 1.09

#### ZONAL LUMEN SUMMARY

Zone	Lumens	% Luminaire
0-30	11862	44.5
0-40	17423	65.3
0-60	23821	89.3
0-90	26453	99.2
0-180	26678	100.0

#### POLAR GRAPH



# CRN2

WET LOCATION HIGH BAY

## PHOTOMETRY CONT'D

### CRN2-50MV-EDU-FP-WW18

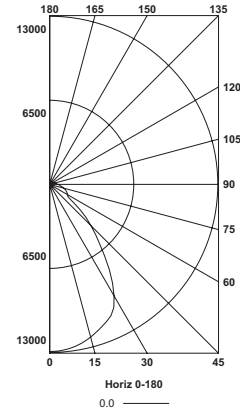
#### LUMINAIRE DATA

Test No.	CRN2-50MV-EDU-FP-WW18
Description	CRN2 Wet Location High Bay
Delivered Lumens	<b>25,577</b>
Watts	<b>200.02</b>
Efficacy	<b>128</b>
Mounting	Pendant
Spacing Criterion	0° = 1.11 90° = 1.11

#### ZONAL LUMEN SUMMARY

Zone	Lumens	% Luminaire
0-30	9770	38.2
0-40	14761	57.7
0-60	20067	78.5
0-90	23553	92.1
0-180	25577	100.0

#### POLAR GRAPH



### CRN2-50MV-EDU-FP-AL18

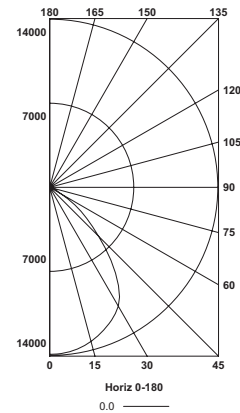
#### LUMINAIRE DATA

Test No.	CRN2-50MV-EDU-FP-AL18
Description	CRN2 Wet Location High Bay
Delivered Lumens	<b>24,878</b>
Watts	<b>200.2</b>
Efficacy	<b>124</b>
Mounting	Pendant
Spacing Criterion	0° = 1.20 90° = 1.20

#### ZONAL LUMEN SUMMARY

Zone	Lumens	% Luminaire
0-30	10675	42.9
0-40	16842	67.7
0-60	23606	94.9
0-90	24815	99.7
0-180	24878	100.0

#### POLAR GRAPH



## ADDITIONAL INFORMATION

CLEAR POLYCARBONATE REFLECTOR



DIFFUSE POLYCARBONATE REFLECTOR



SPUN ALUMINUM REFLECTOR



FROSTED POLYCARBONATE LENS

