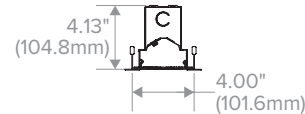


DATE:	LOCATION:
TYPE:	PROJECT:
CATALOG #:	

FEATURES

- Narrow 3" aperture creates clean finished appearance
- Proprietary optical design provides excellent vertical uniformity while maintaining visual comfort
- Multiple optical distributions for varying wall wash applications
- 60,000 hour LEDs at L80 for reduced maintenance
- Optional 90 CRI for color sensitive applications
- Best in class efficacy with up to 116 LPW
- LED modules and electrical accessible from below
- Integral battery pack optional on most models



Grid Ceiling Type Cross Section
See additional dimensions on page 5



SPECIFICATIONS

CONSTRUCTION

- Luminaire housing, reflectors and end caps are die formed code gauge cold rolled steel

OPTICS

- High transmission extruded acrylic enclosed lens features linear prisms with custom frost for high efficacy without pixelation

INSTALLATION

- An access plate is furnished with each luminaire for fast wiring access without the necessity to open the fixture or wireway
- Luminaire fits recessed exposed Grid ceilings (G); two NEC compliant T bar clips are provided standard

INSTALLATION (CONTINUED)

- Can be placed in Slot Grid (SG) style ceiling with regress 3/8" above ceiling plane
- A Drywall Flange Kit (F) is available for recessed hard ceiling applications

CERTIFICATIONS

- Built to UL 1598 and 2108 standards and bear appropriate cCSAus labels
- Damp Location labeling is standard
- Emergency-equipped fixtures are Dry Location unless specified

CERTIFICATIONS (CONTINUED)

- CSA certified to UL 924 standards with battery pack option
- Adheres to LM79, LM80 and TM21 industry standards
- IC label is standard for recessed products. Note that IC label is void if product is installed on site with through wiring for 4' ML package

WARRANTY

- 5 year warranty

KEY DATA	
Lumen Range	1109–5458
Wattage Range	13–52
Efficacy Range (LPW)	81–116
Reported Life (Hours)	L80/60,000

ORDERING GUIDE

Example: CWW4-40MLG-2WW-EDU

CATALOG #

CWW							
Model	Size	CRI	Color Temp	Delivered Lumens	Ceiling Type	Distribution	
CWW Contemporary LED Wall Wash	2' 2'	Blank >80	30 3000K	XW 4' (1835-2880)	G Grid	1WW Asymmetric Wallwash	
	4' 4'	9 >90 ¹	35 3500K	VW 2' (1109-1542), 4' (2515-3523)	SG Slot Grid	1WR Asymmetric Wallwash with Roomside	
			40 4000K	MW 2' (1492-2067), 4' (2653-3906)	F Drywall Flange	2WW Double Wallwash	
			50 5000K	LW 2' (2419-2806), 4' (4022-4645) ²			
				ML 4' (4591-5458) ³			

Driver		Voltage	Options
E	Fixed Output	U 120-277V	ELL14 Emergency Battery Pack, 1400 Lumens ^{4,6,7}
ED	0-10V Dimming	347 347V	C388 3-Wire Flex
ED1	0-10V 1% Dimming		C488 4-Wire Flex
ESD	Step Dimming ^{4,5}		C588 5-Wire Flex
LUTH	Hi-Lume 1% EcoSystem LED driver with Soft-on, Fade-to-Black dimming technology ^{4,5,6}		GLR Fast Blow Fuse
			CP Chicago Plenum

Notes:

- 1 Not available with 2' 347V & LUT drivers
- 2 Lumen package not available with ELL14 Emergency backup in 2' configuration
- 3 Not compatible with thru wiring configuration
- 4 Not available in 347V
- 5 ESD and LUTH not compatible with 2' Drywall Flange (F) option
- 6 For compatibility with Dual-Lite inverters, contact lighting representative
- 7 Not available with 2' drywall flange (F) option

PRODUCT EXCEPTIONS & DETAILS

Driver options listed below are available for the outputs as shown.

	VW	MW	LW
E	X	X	X
ED	X	X	X
ED1	X	X	X
ESD			X
LUTH	X	X	X

	XW	VW	MW	LW	ML
E	X	X	X	X	X
ED	X	X	X	X	X
ED1	X	X	X	X	X
ESD				X	X
LUTH		X	X		

ESD and LUTH not available in 347

DELIVERED LUMENS

Product Availability 80 CRI				
Lumen Package	Distribution	Lumens	Input Watts	LPW
CWW2-30VW	1WW	1421	15	93.5
CWW2-35VW	1WW	1445	15	95.1
CWW2-40VW	1WW	1498	15	98.5
CWW2-50VW	1WW	1542	15	101.4
CWW2-30VW	1WR	1370	15	90.1
CWW2-35VW	1WR	1393	15	91.7
CWW2-40VW	1WR	1444	15	95
CWW2-50VW	1WR	1486	15	97.8
CWW2-30VW	2WW	1464	15	98.3
CWW2-35VW	2WW	1489	15	99.9
CWW2-40VW	2WW	1539	15	103.3
CWW2-50VW	2WW	1542	15	105.9
CWW2-30MW	1WW	1863	20	91.3
CWW2-35MW	1WW	1895	20	92.9
CWW2-40MW	1WW	1964	20	96.3
CWW2-50MW	1WW	2021	20	99.1
CWW2-30MW	1WR	1788	20	87.6
CWW2-35MW	1WR	1818	20	89.1
CWW2-40MW	1WR	1885	20	92.4
CWW2-50MW	1WR	1940	20	95.1
CWW2-30MW	2WW	1905	20	97.6
CWW2-35MW	2WW	1937	20	95.4
CWW2-40MW	2WW	2002	20	98.6
CWW2-50MW	2WW	2067	20	101.8
CWW2-30LW	1WW	2555	27	95
CWW2-35LW	1WW	2598	27	96.6
CWW2-40LW	1WW	2693	27	100.1
CWW2-50LW	1WW	2806	27	103.5
CWW2-30LW	1WR	2456	27	91.3
CWW2-35LW	1WR	2498	27	92.9
CWW2-40LW	1WR	2589	27	96.2
CWW2-50LW	1WR	2665	27	99.1
CWW2-30LW	2WW	2625	27	97.6
CWW2-35LW	2WW	2670	27	99.2
CWW2-40LW	2WW	2759	27	102.6
CWW2-50LW	2WW	2806	27	103.5
CWW4-30XW	1WW	2637	25	106.8
CWW4-35XW	1WW	2682	25	108.6
CWW4-40XW	1WW	2779	25	112.5
CWW4-50XW	1WW	2861	25	115.8
CWW4-30XW	1WR	2554	25	103.4
CWW4-35XW	1WR	2597	25	105.2
CWW4-40XW	1WR	2692	25	109
CWW4-50XW	1WR	2771	25	112.2
CWW4-30XW	2WW	2654	25	107
CWW4-35XW	2WW	2699	25	108.8
CWW4-40XW	2WW	2789	25	112.5
CWW4-50XW	2WW	2880	25	116.1

Product Availability 90 CRI				
Lumen Package	Distribution	Lumens	Input Watts	LPW
CWW2-30VW	1WW	1109	13	86.6
CWW2-35VW	1WW	1132	13	88.5
CWW2-40VW	1WW	1151	13	89.9
CWW2-30VW	1WR	1078	13	84.2
CWW2-35VW	1WR	1101	13	86
CWW2-40VW	1WR	1119	13	87.4
CWW2-30VW	2WW	1149	13	87.7
CWW2-35VW	2WW	1173	13	89.6
CWW2-40VW	2WW	1193	13	91
CWW2-30MW	1WW	1492	17	88.8
CWW2-35MW	1WW	1523	17	90.7
CWW2-40MW	1WW	1549	17	92.2
CWW2-30MW	1WR	1443	17	85.9
CWW2-35MW	1WR	1473	17	87.7
CWW2-40MW	1WR	1498	17	89.2
CWW2-30MW	2WW	1562	17	90.3
CWW2-35MW	2WW	1595	17	92.2
CWW2-40MW	2WW	1621	17	93.7
CWW2-30LW	1WW	2419	29	84.3
CWW2-35LW	1WW	2470	29	86.1
CWW2-40LW	1WW	2511	29	87.5
CWW2-30LW	1WR	2326	29	81
CWW2-35LW	1WR	2375	29	82.7
CWW2-40LW	1WR	2414	29	84.1
CWW2-30LW	2WW	2528	29	86
CWW2-35LW	2WW	2581	29	87.8
CWW2-40LW	2WW	2624	29	89.3
CWW4-30XW	1WW	1835	19	97.1
CWW4-35XW	1WW	1874	19	99.1
CWW4-40XW	1WW	1905	19	100.8
CWW4-30XW	1WR	1762	19	93.2
CWW4-35XW	1WR	1799	19	95.2
CWW4-40XW	1WR	1829	19	96.8
CWW4-30XW	2WW	1932	19	101.7
CWW4-35XW	2WW	1973	19	103.8
CWW4-40XW	2WW	2005	19	105.5

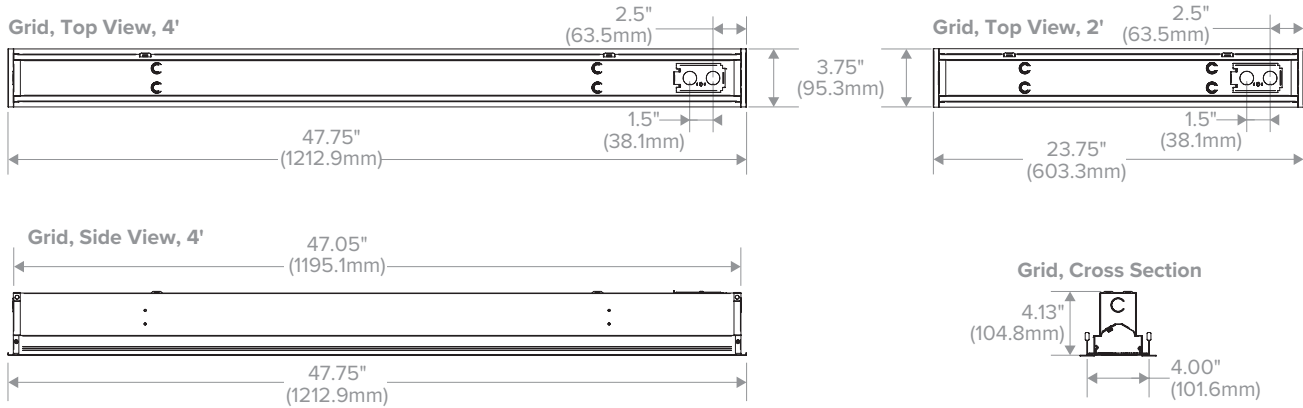
DELIVERED LUMENS (CONTINUED)

Product Availability 80 CRI				
Lumen Package	Distribution	Lumens	Input Watts	LPW
CWW4-30VW	1WW	3215	31	103.4
CWW4-35VW	1WW	3270	31	105.1
CWW4-40VW	1WW	3389	31	109
CWW4-50VW	1WW	3488	31	112.2
CWW4-30VW	1WR	3119	31	100.3
CWW4-35VW	1WR	3172	31	102
CWW4-40VW	1WR	3287	31	105.7
CWW4-50VW	1WR	3384	31	108.8
CWW4-30VW	2WW	3247	31	105.1
CWW4-35VW	2WW	3302	31	106.9
CWW4-40VW	2WW	3413	31	110.4
CWW4-50VW	2WW	3523	31	114
CWW4-30MW	1WW	3535	35	101.3
CWW4-35MW	1WW	3595	35	103
CWW4-40MW	1WW	3726	35	106.8
CWW4-50MW	1WW	3835	35	109.9
CWW4-30MW	1WR	3430	35	98.3
CWW4-35MW	1WR	3488	35	100
CWW4-40MW	1WR	3615	35	103.6
CWW4-50MW	1WR	3722	35	106.6
CWW4-30MW	2WW	3600	35	102.9
CWW4-35MW	2WW	3661	35	104.6
CWW4-40MW	2WW	3784	35	108.1
CWW4-50MW	2WW	3906	35	111.6
CWW4-30LW	1WW	4022	40	101.8
CWW4-35LW	1WW	4090	40	103.6
CWW4-40LW	1WW	4239	40	107.3
CWW4-50LW	1WW	4413	40	110.6
CWW4-30LW	1WR	3901	40	98.8
CWW4-35LW	1WR	3967	40	100.4
CWW4-40LW	1WR	4112	40	104.4
CWW4-50LW	1WR	4233	40	107.2
CWW4-30LW	2WW	4281	40	107
CWW4-35LW	2WW	4354	40	108.8
CWW4-40LW	2WW	4499	40	112.5
CWW4-50LW	2WW	4645	40	116.1
CWW4-30ML	1WW	4864	50	98.3
CWW4-35ML	1WW	4947	50	99.9
CWW4-40ML	1WW	5127	50	103.6
CWW4-50ML	1WW	5277	50	103.6
CWW4-30ML	1WR	4712	50	95.2
CWW4-35ML	1WR	4792	50	96.8
CWW4-40ML	1WR	4966	50	100.3
CWW4-50ML	1WR	5113	50	103.6
CWW4-30ML	2WW	5030	50	101.4
CWW4-35ML	2WW	5116	50	103.1
CWW4-40ML	2WW	5287	50	106.6
CWW4-50ML	2WW	5458	50	103.6

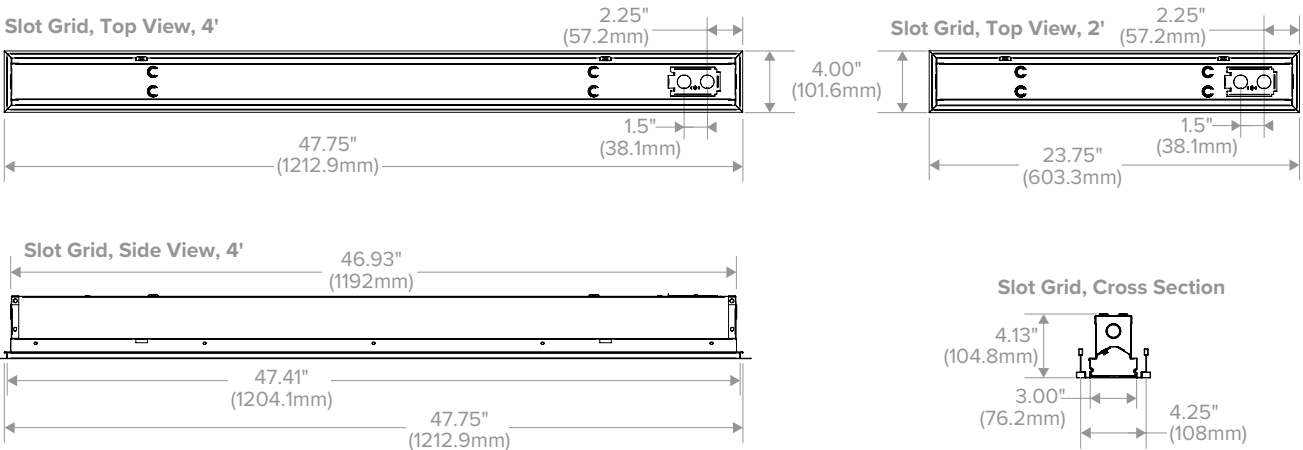
Product Availability 90 CRI				
Lumen Package	Distribution	Lumens	Input Watts	LPW
CWW4-30VW	1WW	2515	26	96.4
CWW4-35VW	1WW	2568	26	98.4
CWW4-40VW	1WW	2611	26	100
CWW4-30VW	1WR	2420	26	92.7
CWW4-35VW	1WR	2471	26	94.7
CWW4-40VW	1WR	2512	26	96.2
CWW4-30VW	2WW	2654	26	100.9
CWW4-35VW	2WW	2710	26	103
CWW4-40VW	2WW	2755	26	104.7
CWW4-30MW	1WW	2653	28	95.8
CWW4-35MW	1WW	2709	28	97.8
CWW4-40MW	1WW	2754	28	99.4
CWW4-30MW	1WR	2548	28	92
CWW4-35MW	1WR	2602	28	93.9
CWW4-40MW	1WR	2645	28	95.5
CWW4-30MW	2WW	2848	29	99.6
CWW4-35MW	2WW	2908	29	101.7
CWW4-40MW	2WW	2956	29	103.4
CWW4-30LW	1WW	4277	48.3	88.6
CWW4-35LW	1WW	4367	48.3	90.4
CWW4-40LW	1WW	4440	48.3	91.9
CWW4-30LW	1WR	4092	48.3	84.7
CWW4-35LW	1WR	4178	48.3	86.5
CWW4-40LW	1WR	4247	48.3	87.9
CWW4-30LW	2WW	4385	48.5	90.4
CWW4-35LW	2WW	4477	48.5	92.3
CWW4-40LW	2WW	4552	48.5	93.8
CWW4-30ML	1WW	4591	52.9	86.8
CWW4-35ML	1WW	4687	52.9	88.6
CWW4-40ML	1WW	4765	52.9	90.1
CWW4-30ML	1WR	4408	52.9	83.3
CWW4-35ML	1WR	4501	52.9	85.1
CWW4-40ML	1WR	4576	52.9	86.5
CWW4-30ML	2WW	4709	53.1	88.7
CWW4-35ML	2WW	4808	53.1	90.5
CWW4-40ML	2WW	4888	53.1	92.1

DIMENSIONS

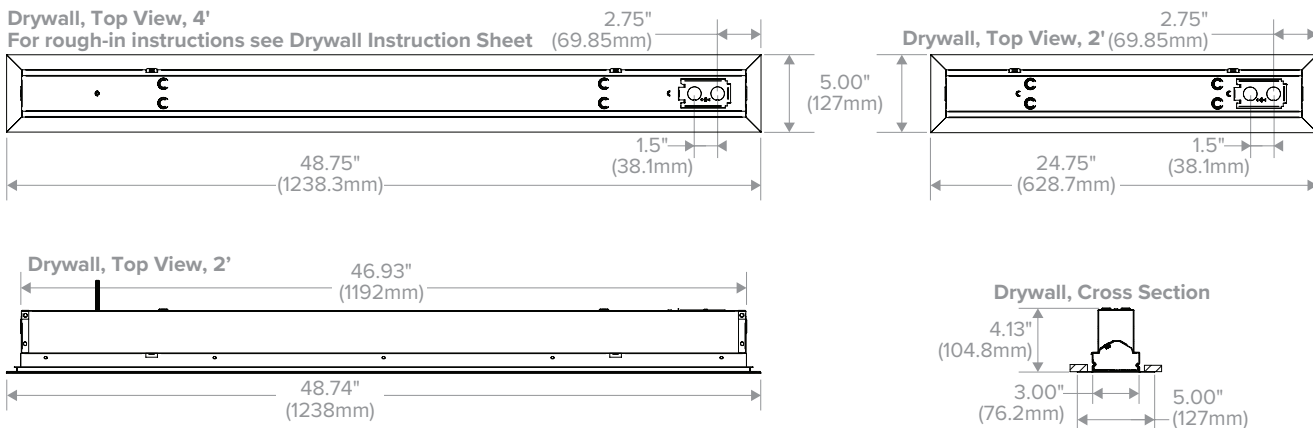
GRID



SLOT GRID



DRYWALL ASSEMBLY



PHOTOMETRY

CWW2-35LWG-1WW-EDU

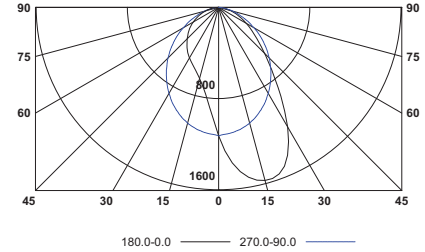
LUMINAIRE DATA

Test No.	16217
Description	Contemporary Wall Wash, Recessed Architectural, 3" x 24" led with frosted acrylic prisms lens
Delivered Lumens	2607
Watts	26.90
Efficacy	97
Mounting	Recessed
Spacing Criterion	0° = N/A 90° = N/A

ZONAL LUMEN SUMMARY

Zone	Lumens	% Luminaire
0-30	879	33.7
0-40	1392	53.4
0-60	2207	84.7
0-90	2607	100
0-180	2607	100

POLAR GRAPH



CWW2-35LWG-1WR-EDU

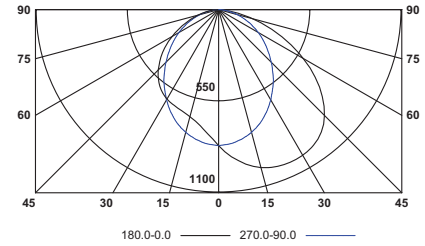
LUMINAIRE DATA

Test No.	16239
Description	Contemporary Wall Wash, Recessed Architectural, 3" x 24" led with frosted acrylic prisms lens
Delivered Lumens	2500
Watts	26.90
Efficacy	93
Mounting	Recessed
Spacing Criterion	0° = N/A 90° = N/A

ZONAL LUMEN SUMMARY

Zone	Lumens	% Luminaire
0-30	654	26.2
0-40	1092	43.7
0-60	1978	79.1
0-90	2500	100
0-180	2500	100

POLAR GRAPH



CWW2-35LWG-2WW-EDU

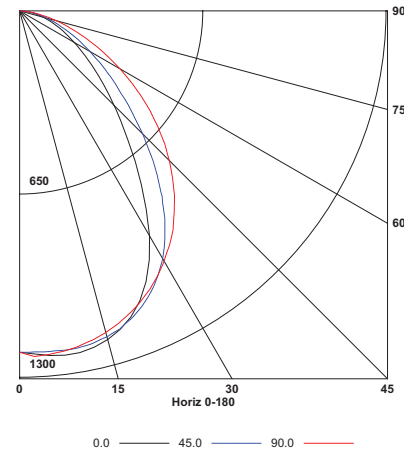
LUMINAIRE DATA

Test No.	16264
Description	Contemporary Wall Wash, Recessed Architectural, 3" x 24" led with frosted acrylic prisms lens
Delivered Lumens	2674
Watts	26.90
Efficacy	99
Mounting	Recessed
Spacing Criterion	0° = N/A 90° = N/A

ZONAL LUMEN SUMMARY

Zone	Lumens	% Luminaire
0-30	945	35.4
0-40	1485	55.6
0-60	2311	86.4
0-90	2674	100
0-180	2674	100

POLAR GRAPH



PHOTOMETRY (CONTINUED)

CWW4-35LWG-1WW-EDU

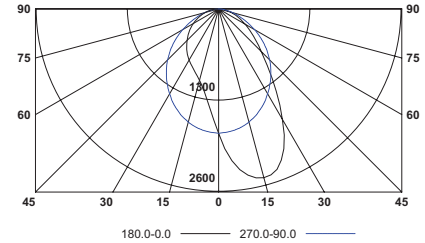
LUMINAIRE DATA

Test No.	16228
Description	Contemporary Wall Wash, Recessed Architectural, 3" x 48" LED with frosted acrylic prisms lens
Delivered Lumens	4094
Watts	39.50
Efficacy	104
Mounting	Recessed
Spacing Criterion	0° = N/A 90° = N/A

ZONAL LUMEN SUMMARY

Zone	Lumens	% Luminaire
0-30	1387	33.9
0-40	2184	53.3
0-60	3454	84.4
0-90	4094	100
0-180	4094	100

POLAR GRAPH



CWW4-35LWG-1WR-EDU

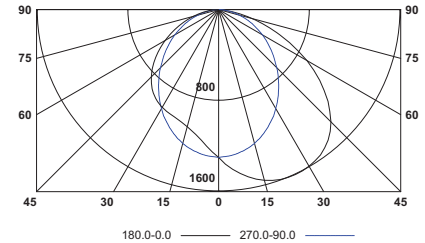
LUMINAIRE DATA

Test No.	16251
Description	Contemporary Wall Wash, Recessed Architectural, 3" x 48" LED with frosted acrylic prisms lens
Delivered Lumens	3970
Watts	39.50
Efficacy	100
Mounting	Recessed
Spacing Criterion	0° = N/A 90° = N/A

ZONAL LUMEN SUMMARY

Zone	Lumens	% Luminaire
0-30	1037	26.1
0-40	1730	43.6
0-60	3136	79
0-90	3970	100
0-180	3970	100

POLAR GRAPH



CWW4-35LWG-2WW-EDU

LUMINAIRE DATA

Test No.	16277
Description	Contemporary Wall Wash, Recessed Architectural, 3" x 48" LED with frosted acrylic prisms lens
Delivered Lumens	4358
Watts	40.00
Efficacy	109
Mounting	Recessed
Spacing Criterion	0° = N/A 90° = N/A

ZONAL LUMEN SUMMARY

Zone	Lumens	% Luminaire
0-30	1513	34.7
0-40	2381	54.6
0-60	3738	85.8
0-90	4358	100
0-180	4358	100

POLAR GRAPH

