

DATE:	LOCATION:
TYPE:	PROJECT:
CATALOG #:	

FEATURES

- Superior color consistency within a 3-step MacAdam ellipse and greater than 80 CRI
- Available in 2', 4' or 8' lengths
- Optional integral emergency battery pack
- Heavy die-formed steel channel with 100% acrylic formed diffuser
- Surface mount, wall mount
- Occupancy controlled dimming of the LEDs increases energy savings while maintaining base light levels in stairwells at all times (see Occupancy Sensor section below)



CONTROLS TECHNOLOGY



SPECIFICATIONS

CONSTRUCTION

- Housing, wireway, and ends are formed from code-gauge steel. Housing components act as heat sink for LED heat dissipation. Knockouts are provided for electrical access and mounting
- White painted parts are treated with a five-stage phosphate bonding process and finished with high reflectance baked enamel
- Shielded with 100% frosted prismatic acrylic lens

ELECTRICAL

- Long-life LEDs are rated for 60,000 hours at L80 lumen maintenance.
- Standard 0–10V dimming with High/Low integrated control outputs
- Superior drivers and long-life LEDs provide quality illumination for prolonged service life. Drivers < 10% THD at 120V, power factor >0.95

CONTROLS

- NX Lighting Controls provides options for standalone and networked integrated sensor with wired or wireless connectivity for NX system deployments
- NX is available in U.S., Canada and Mexico. For other locations consult factory

CONTROLS (CONTINUED)

- Internally mounted NX OMNI Passive Infrared Occupancy sensor is standard. Default settings: 15 min. unoccupied sensor dims luminaire to 50% output, once occupied luminaire returns to 100% output; never turning entirely off. LED indicator for easy verification of coverage. Coverage is 1:2.75 (mounting height: coverage ratio) up to 12', minimum 8' mounting height. Enables Intelliscope™ feature when paired with NX Bluetooth® mobile App, providing real time visibility of motion for improved accuracy of sensor sensitivity and time delay adjustments. Additional settings available within the NX Bluetooth mobile app

CERTIFICATIONS

- All luminaires are built to UL 1598 and 2108 standards, and bear appropriate CSA c/US labels. Damp location labeling is standard
- CSA certified to UL 924 standards with battery pack or DTS (Dimming Bypass Module) options
- Adheres to LM79, LM80, and TM21 industry standards. The DTS, Dimming Bypass Module, is for emergency circuit control loads including sensors and wireless systems CSA certified to UL 924. See page 5 for wiring diagram.

CERTIFICATIONS (CONTINUED)

- DLC® (DesignLights Consortium) Qualified, with some Premium Qualified configurations. Please refer to the DLC website for specific product qualifications at www.designlights.org
- This product qualifies as a “designated country construction material” per FAR 52.225-11 Buy American-Construction Materials under Trade Agreements effective 06/01/2020.

WARRANTY

- 5 year warranty

KEY DATA	
Lumen Range	1630–9502
Wattage Range	13.8–67.6
Efficacy Range (LPW)	112–142
Reported Life (Hours)	L80/60,000

ORDERING GUIDE

Example: ESL4-40ML-FAW-EDU-NXOS

CATALOG #

ESL						W	ED
Model	Size	Color Temp	Lumen Output ¹	Lens	Distribution	Driver	
ESL Escalate Stairwell Luminaire	2 2'	30 3000K	VW 2' (1700), 4' (3300), 8' (6600)	FA Frosted Acrylic FP Frosted Polycarbonate	W Wide Distribution	ED 0-10V Dimming ²	
	4 4'	35 3500K	MW 2' (1750), 4' (3500), 8' (6500)				
	8 8'	40 4000K	LW 2' (2000), 4' (4000), 8' (8000)				
		50 5000K	ML 2' (2200), 4' (4500), 8' (8900)				
			HL 4' (5800), 8' (11,600)				
See Lumen Tables below.							

Voltage	Options	Control Options ⁷
U 120V-277V	ELL14 Emergency Battery Pack, 10W ^{3,4}	NXWSM NX Networked Wireless Enabled Integral NX SMP2-SMI PIR Occupancy Sensor with Automatic Dimming Photocell and Bluetooth Programming
347 347V	ELL14H2 Emergency Battery Pack, 2-Hour Run Time ^{3,4,5}	NXWRM NX Networked Wireless Enabled Integral NX SMP2-LMI PIR Occupancy Sensor with Automatic Dimming Photocell and Bluetooth Programming
	DTS Dimming Bypass Module ^{4,6,7}	NXWOM NX Networked Wireless Enabled Integral NX SMP2-OMNI PIR Occupancy Sensor with Automatic Dimming Photocell and Bluetooth Programming
	GLR Fast Blow Fuse	HFU High Frequency Ultra-sonic Occupancy Sensor ⁸
	SAF SpectraSAFE™ Integrated Surveillance Lighting System ⁷	BTSO12F Bluetooth® Programmable, BTSMP-OMNI PIR Occupancy Sensor with Automatic Dimming Photocell and 360° Lens

Notes:

- Nominal lumen output, refer to Performance Tables for exact values and available lumen outputs for fixture size. High efficacy versions designated with "HE"
- External dimming leads not available
- For compatibility with Dual-Lite LiteGear® inverters in lieu of installed battery pack, contact your Lighting representative
- Not available with 2 ft size
- Not available for use in Canada
- For emergency circuit control loads including sensors and wireless systems CSA certified to UL 924. Universal voltage only See page 5 for wiring diagram
- Universal voltage only
- Not available with battery backup or DTS options. On/off functionality only

CONTROLS

NX Lighting Controls:

Supports both indoor and outdoor applications in a variety of deployment options- wired, wireless, hybrid.
Integrates with and enables a wide array of luminaires including those with SpectraSync Color Tuning Technology.



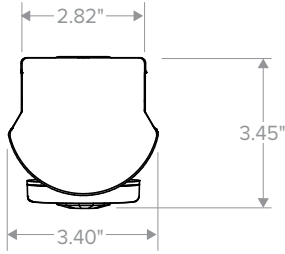
NX INTEGRATED CONTROLS REFERENCE								
NX Option	Sensor	Networkable	Scheduling	Occupancy	Daylight Harvesting	0-10V Dimming	On/off Control	Bluetooth® App Programming
NX Networked – Wireless								
NXWOM	NXSMP2-OMNI-XX	Yes	Yes	Yes	Yes	Yes	No	Yes
NXWSM	NXSMP2- SMI-XX	Yes	Yes	Yes	Yes	Yes	No	Yes

DELIVERED LUMENS

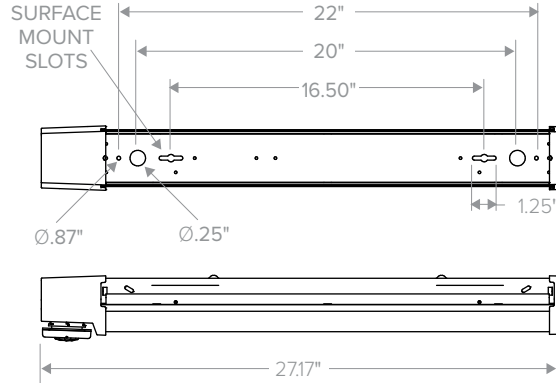
Fixture	3000K			3500K			4000K			5000K		
	LUMENS	WATTS	LPW	LUMENS	WATTS	LPW	LUMENS	WATTS	LPW	LUMENS	WATTS	LPW
ESL2-VW	1630	13.8	118	1659	13.8	120	1681	13.8	122	1736	13.8	126
ESL2-MW	2162	18.2	119	2201	18.2	121	2229	18.2	122	2303	18.20	127
ESL2-LW	2401	20.4	118	2444	20.4	120	2475	20.4	121	2557	20.4	125
ESL2-ML	3391	29.0	117	3452	29.0	119	3496	29.0	121	3611	29.0	125
ESL4-VW	3221	26.7	121	3279	26.7	123	3321	26.7	124	3430	26.7	128
ESL4-MW	3591	30.4	118	3656	30.4	120	3702	30.4	122	3824	30.4	126
ESL4-LW	3972	34.4	116	4043	34.4	118	4095	34.4	119	4230	34.4	123
ESL4-ML	4475	40.1	112	4556	40.1	114	4614	40.1	115	4766	40.1	119
ESL4-HL	5658	49.5	114	5760	49.5	116	5833	49.5	118	6026	49.5	122
ESL8-VW	6442	53.4	121	6558	53.4	123	6642	53.4	124	6861	53.4	128
ESL8-MW	7182	60.8	118	7311	60.8	120	7405	60.8	122	7649	60.8	126
ESL8-LW	7944	68.8	116	8087	68.8	118	8190	68.8	119	8460	68.8	123
ESL8-ML	8950	80.2	112	9111	80.2	114	9227	80.2	115	9532	80.2	119
ESL8-HL	11316	99	114	11520	99	116	11667	99	118	12052	99	122

DIMENSIONS

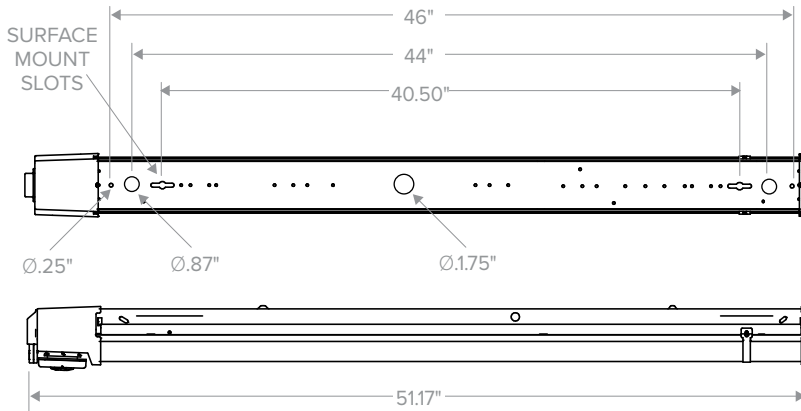
ESL END VIEW



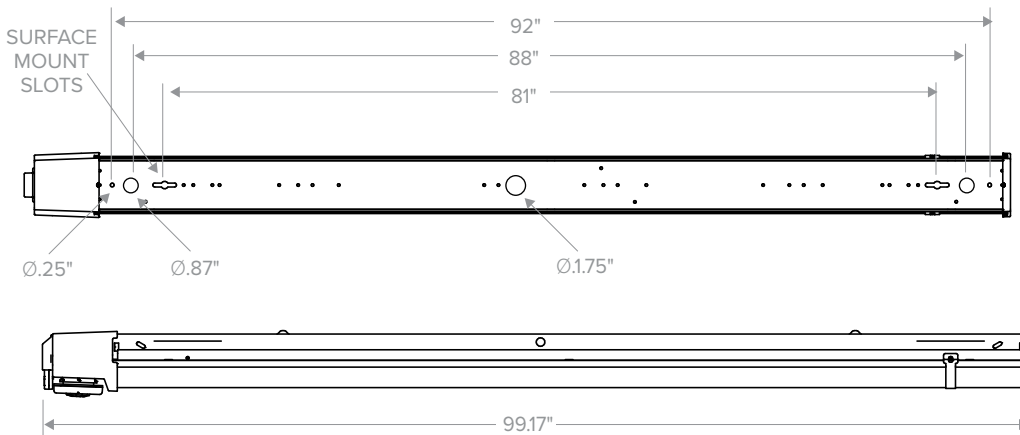
ESL 2' DIMENSIONS



ESL 4' DIMENSIONS

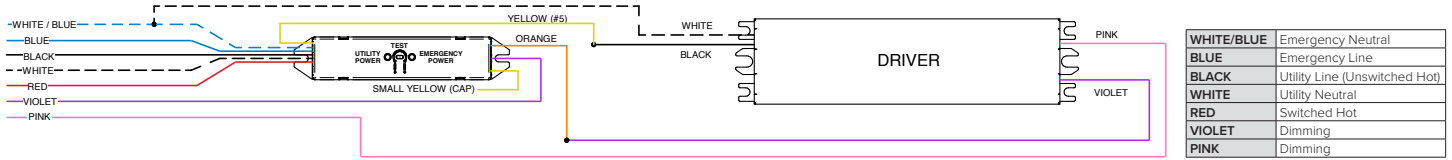


ESL 8' DIMENSIONS

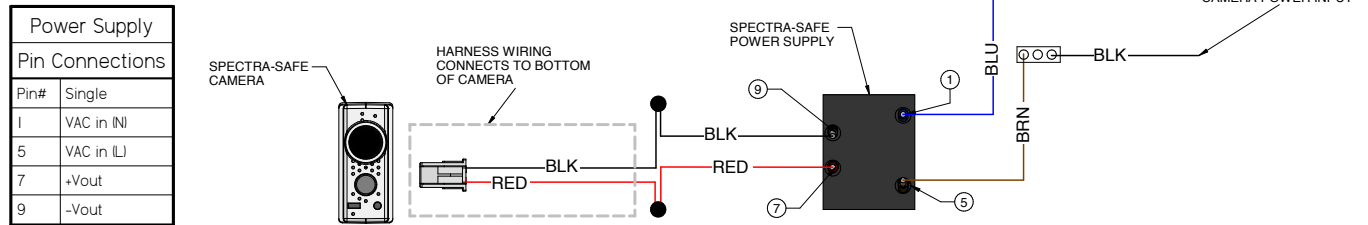


ADDITIONAL INFORMATION

DTS WIRING DIAGRAM (0-10V DIMMING DRIVER SHOWN)



SPECTRASAFE WIRING DIAGRAM



MAX AMBIENT OPERATING TEMPERATURE

Ambient Temp. for Driver Availability		
Voltage	Lumen Package	Ceiling/Surface/Mount
2'	VW	35
	MW	35
	LW	35
	ML	35
4'	VW	30
	MW	30
	LW	30
	ML	30
	HL	25
8'	VW	30
	MW	30
	LW	30
	ML	30
	HL	25

PHOTOMETRY

ESL4-40ML-FAW-EDU

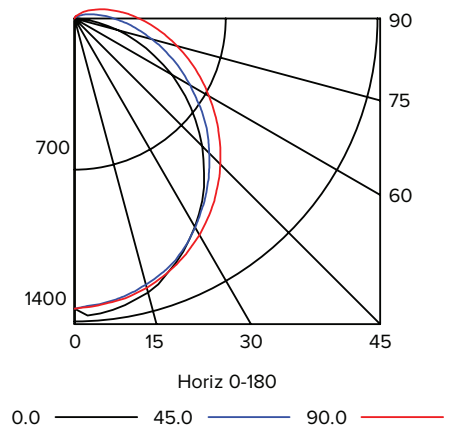
LUMINAIRE DATA

Test No.	21.00759
Description	4' Escalate Stairwell Luminaire, Frosted Acrylic Lens
Delivered Lumens	4469
Watts	31.6
Efficacy	141
Mounting	Surface
Spacing Criterion	0° = 1.23 90° = 1.28

ZONAL LUMEN SUMMARY

Zone	Lumens	% Luminaire
0-30	1036	23.2
0-40	1693	37.9
0-60	3010	67.4
0-90	4158	93.0
0-180	4469	100.0

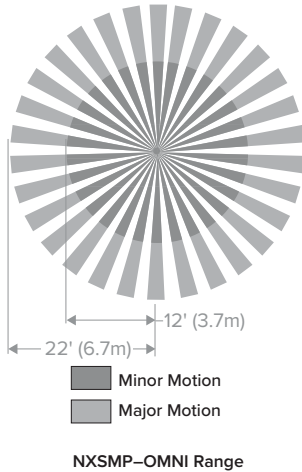
INDOOR CANDELA PLOT



NX SENSOR DATA

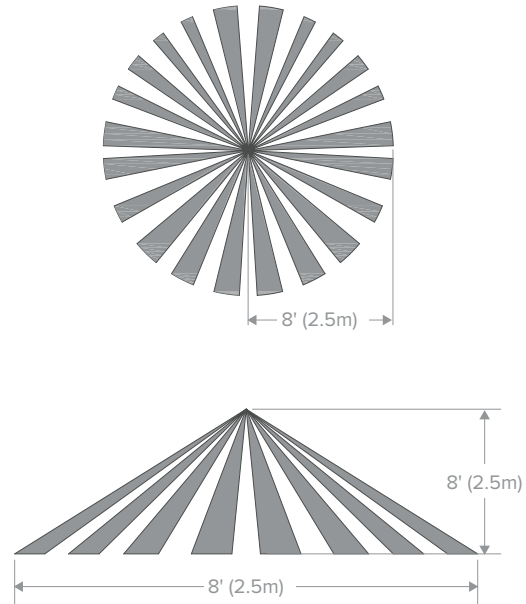
OMNI® (NXOS) PIR OCCUPANCY SENSOR, DIMMING DAYLIGHT HARVESTING

The NX OMNI Indoor Sensor Module houses a PIR motion sensor, a daylight sensor, and a Bluetooth® radio allowing wireless configuration and programming using the free Device Setup App



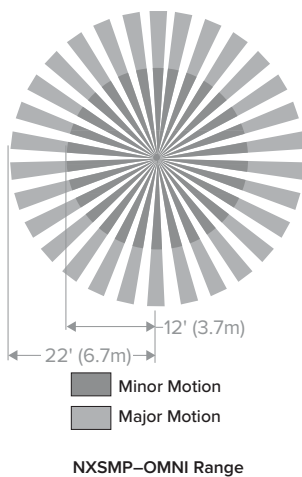
LMI (NXS) PIR OCCUPANCY SENSOR, DIMMING DAYLIGHT HARVESTING

The NX Low Mount Indoor Sensor Module has the same features as the OMNI version and is the ideal solution for integrated fixture control in applications where aesthetics demand that an exposed sensor has a limited visual impact



OMNI (NXOSW) WIRELESS, PIR OCCUPANCY SENSOR, DIMMING DAYLIGHT HARVESTING

The NX wireless option allows the fixture to communicate with other wireless equipped fixtures and with a building wide NX networked system. NXOSW allows for multiple stairwell fixtures to be linked together to accommodate different points of floor entry



LMI (NXSW) WIRELESS, PIR OCCUPANCY SENSOR, DIMMING DAYLIGHT HARVESTING

The NX Low Mount Indoor Sensor Module wireless option allows the fixture to communicate with other wireless equipped fixtures and with a building wide NX networked system. NXSW allows for multiple stairwell fixtures to be linked together to accommodate different points of floor entry

