



FEATURES

- Architecturally enhanced triple lens design
- Up to 121 lumens per watt
- Long-life, 60,000 hour LEDs at L80 (80% lumen maintenance) reduce life cycle maintenance costs
- Four LED Color Choices
- Seven Lumen Packages
- Superior color consistency within a 3-step MacAdam ellipse and greater than 80 CRI
- Rigorous testing and QR code record
- Lens design and materials provide uniform appearance without pixelation
- Hinged optical system allows easy access to lamps and electrical from below the ceiling
- Lenses interlock for structural integrity
- Two optional lens aesthetics
- Most configurations produce low W/ft² to meet the most restrictive lighting power density codes
- 2' x 4' and 2' x 2' companion fixtures available
- Five year warranty (Terms and Conditions apply)

PROJECT INFORMATION

Project Name _____

Type _____

Catalog No. _____

Date _____

CONSTRUCTION

Housing is constructed of heavy gauge steel, die formed for extra rigidity. Four T-bar clips integral to housing. Optical system hinges and latches from either side for easy access to LED module and electrical components. Mechanical light trap prevents light leaks. Latches are spring loaded.

FINISH

All visible parts are custom formulated soft, non-glare high reflectance white powder coat finish, painted after fabrication.

SHIELDING

Lenses are high transmission extruded acrylic with an interlocking design for structural integrity and ease of maintenance.

INSTALLATION

An access plate or mounting collar is furnished with luminaire for fast wiring connections without the necessity to open the fixture or wireway.

CEILING COMPATIBILITY

Designed for recessed installation in standard inverted tee grid ceilings (G), recessed installation in hard ceilings (G with FK accessory), Surface mount at ceiling plane (SM) or cable mount suspension below ceiling plane (CM). For compatibility with specific ceilings contact your representative.

CERTIFICATION



All luminaires are built to UL 1598 and 2108 standards, and bear appropriate CSA labels. UL Sanitation Certified per NSF Standards. Damp location labeling is standard. CSA certified to UL 924 standards with battery pack or DTS (Dimming Bypass Module) options. Adheres to LM79, LM80 and TM21 standards. IC rating is standard on all models (does not apply to thru-wiring). The DTS, Dimming Bypass Module, is for emergency circuit control loads including sensors and wireless systems CSA certified to UL 924. See page 4 for wiring diagram.

WARRANTY

Five year warranty (Terms and Conditions apply).

ORDERING INFORMATION

EXAMPLE LSER14-35LWG-C-EDU

MODEL		COLOR TEMP	LUMEN OUTPUT	CEILING TYPE	SHIELDING	DRIVER	VOLTAGE	OPTIONS							
LSER	Serrano® LED Recessed Architectural Luminaire	30	3000K	XW	Extra Low Watt	G	Grid ¹	C	Contour 	E	Fixed Output	U	120V-277V	ELL14	Emergency Battery Pack Installed, 1400 Lumens ⁶
		35	3500K	VW	Very Low Watt	SM	Surface Mount	R	Rail 	ED	0-10V Dimming	347	347V	C388	3-Wire Flex
		40	4000K	MW	Medium Low Watt	CM	Cable Mount ²			ED1	0-10V Dimming to 1%			C488	4-Wire Flex
		50	5000K	LW	Low Watt					EDD	0-10V Dimming, Dim to Dark ^{3,4}			C588	5-Wire Flex
				ML	Medium Lumen				ESD	Step Dimming ³			GLR	Fast Blow Fuse	
				HL	High Lumen				LUTH	Hi-lume 1% EcoSystem LED driver with Soft-on, Fade-to-Black dimming technology ^{3,5}			GTD	Generator Transfer Device ⁷	
				VL	Very High Lumen									DTS	Dimming Bypass Module ⁸
														EOR	End of Row (SM and CM only) ⁹
														INT	Intermediate (SM and CM only) ⁹
														CP	Chicago Plenum

SIZE
14 1' x 4'

¹ For drywall, order G with Flange Kit Accessory
² Order hanger accessories separately
³ Not available in 347V
⁴ Not available with HL and VL
⁵ Not available on VL or XL
⁶ For compatibility with Dual-Lite LiteGear® inverters in lieu of installed Battery Pack, contact your representative
⁷ For GTD available for E (fixed output) driver option only
⁸ For emergency circuit control loads including sensors and wireless systems CSA certified to UL 924. Only available with 0-10V drivers. Universal voltage only. See page 4 for wiring diagram
⁹ Provides ends with wiring access for continuous row mounting

Damp Label - standard

ACCESSORIES (ORDER SEPARATELY)

FK14	1' x 4' Flange Kit, Single Mounting (for rows add FKCR)
FKCR	Flange Kit Row Adaptor
CM 48Y15C3F-KIT	48" Cable Mount Kit for 1' wide Cable Mount Fixtures, 3-Wire

Product Availability			
Lumen Package	Lumens	Watts	Efficacy
LSER14-30XWG-C-EU	2080	19.6	106
LSER14-35XWG-C-EU	2143	19.6	109
LSER14-40XWG-C-EU	2176	19.6	111
LSER14-50XWG-C-EU	2370	19.6	121
LSER14-30VWG-C-EU	2803	26.8	105
LSER14-35VWG-C-EU	2888	26.8	108
LSER14-40VWG-C-EU	2932	26.8	109
LSER14-50VWG-C-EU	3193	26.8	119
LSER14-30MWG-C-EU	3167	30.6	104
LSER14-35MWG-C-EU	3262	30.6	107
LSER14-40MWG-C-EU	3313	30.6	108
LSER14-50MWG-C-EU	3607	30.6	118
LSER14-30LWG-C-EU	3436	34	101
LSER14-35LWG-C-EU	3539	34	104
LSER14-40LWG-C-EU	3594	34	106
LSER14-50LWG-C-EU	3913	34	115
LSER14-30MLG-C-EU	4132	42.8	97
LSER14-35MLG-C-EU	4256	42.8	99
LSER14-40MLG-C-EU	4322	42.8	101
LSER14-50MLG-C-EU	4707	42.8	110
LSER14-30HLG-C-EU	4829	50.3	96
LSER14-35HLG-C-EU	4974	50.3	99
LSER14-40HLG-C-EU	5051	50.3	100
LSER14-50HLG-C-EU	5501	50.3	109
LSER14-30VLG-C-EU	6001	58.8	102
LSER14-35VLG-C-EU	6181	58.8	105
LSER14-40VLG-C-EU	6277	58.8	107
LSER14-50VLG-C-EU	6835	58.8	116

PHOTOMETRIC DATA

Test 16685 Test Date 9/14/16

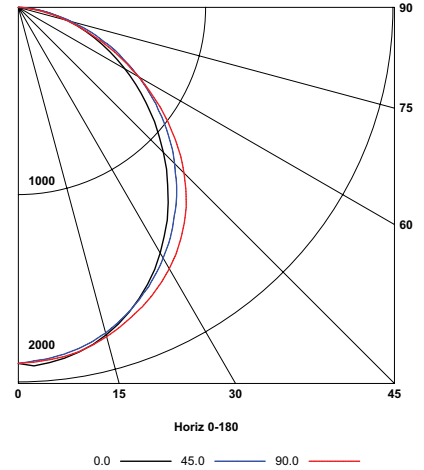
LUMINAIRE DATA

Luminaire	LSER14-35HLG-C-EU LSER Serrano LED, Recessed Architectural 1 x 4 LED with Contour center lens and frosted linear prisms side lenses
Ballast	XI054C150V054BST1
Ballast Factor	1.00
Lamp	LED
Fixture Lumens	4974
Watts	50.30
Mounting	Recessed
Shielding Angle	0° = 90 90° = 90
Spacing Criterion	0° = 1.19 90° = 1.26
Luminous Opening in Feet	Length: 3.83 Width: 0.83 Height: 0.00

ZONAL LUMEN SUMMARY

Zone	Lumens	% Lamp	% Fixt.
0-30	1452	29.2	29.2
0-40	2353	47.3	47.3
0-60	4043	81.3	81.3
0-90	4974	100.0	100.0
0-180	4974	100.0	100.0

INDOOR CANDELA PLOT



AVG. LUMINANCE (Candela/Sq. M.)

	0.0	22.5	45.0	67.5	90.0
0	6437	6437	6437	6437	6437
30	5920	5912	6041	6244	6299
40	5481	5521	5813	6078	6162
45	5244	5306	5651	5947	5991
50	4999	5078	5478	5752	5752
55	4711	4835	5289	5472	5443
60	4449	4585	5025	5140	5045
65	4150	4327	4767	4743	4575
70	3861	4019	4396	4198	4000
75	3532	3663	3833	3650	3480
80	3217	3334	3237	2866	2691
85	2720	2448	2098	1904	1787

LUMINAIRE DATA

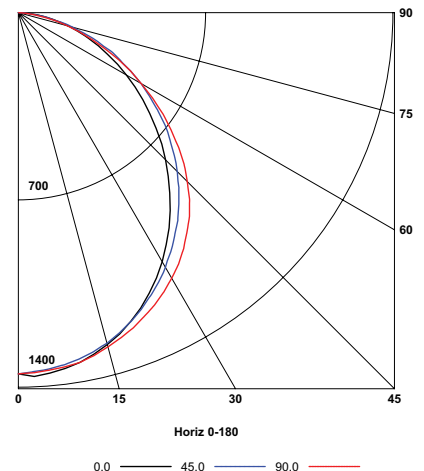
Test 16678 Test Date 8/30/16

Luminaire	LSER14-35LWG-C-EU LSER Serrano LED, Recessed Architectural 1 x 4 LED with Contour center lens and frosted linear prisms side lenses
Ballast	XI040C110V054BPT1
Ballast Factor	1.00
Lamp	LED
Fixture Lumens	3539
Watts	34.00
Mounting	Recessed
Shielding Angle	0° = 90 90° = 90
Spacing Criterion	0° = 1.19 90° = 1.26
Luminous Opening in Feet	Length: 3.83 Width: 0.81 Height: 0.00

ZONAL LUMEN SUMMARY

Zone	Lumens	% Lamp	% Fixt.
0-30	1031	29.1	29.1
0-40	1672	47.3	47.3
0-60	2876	81.3	81.3
0-90	3539	100.0	100.0
0-180	3539	100.0	100.0

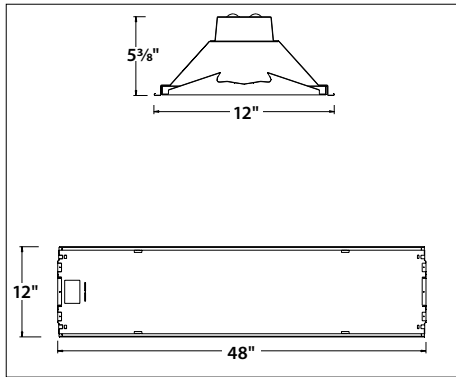
INDOOR CANDELA PLOT



AVG. LUMINANCE (Candela/Sq. M.)

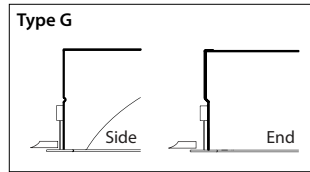
	0.0	22.5	45.0	67.5	90.0
0	4684	4684	4684	4684	4684
30	4307	4307	4403	4543	4591
40	3986	4022	4226	4448	4507
45	3818	3871	4122	4338	4382
50	3627	3703	3994	4205	4216
55	3436	3521	3847	4011	3992
60	3234	3345	3671	3747	3678
65	3013	3144	3448	3456	3366
70	2820	2912	3206	3084	2972
75	2601	2695	2829	2654	2547
80	2338	2418	2318	2078	1958
85	1951	1752	1513	1354	1354

DIMENSIONAL DATA

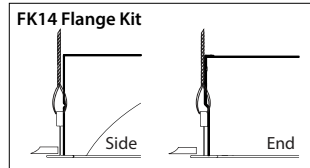


NOTE: All dimensions are in inches; dimensions and specifications are subject to change without notice. Please consult factory or check sample for verification.

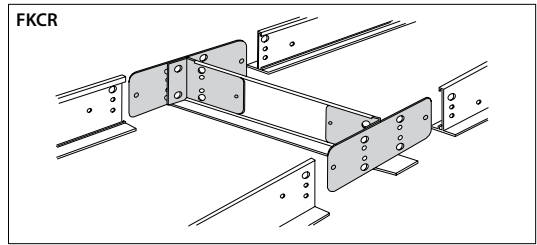
CEILING COMPATIBILITY



For lay-in installation in exposed grid ceilings. Maximum tee widths of 1" and maximum tee heights of 2" allowed.



For hard ceiling applications, order FK14 flange kit. Flange kit wires directly into concealed ceiling opening for a clean, finished appearance.

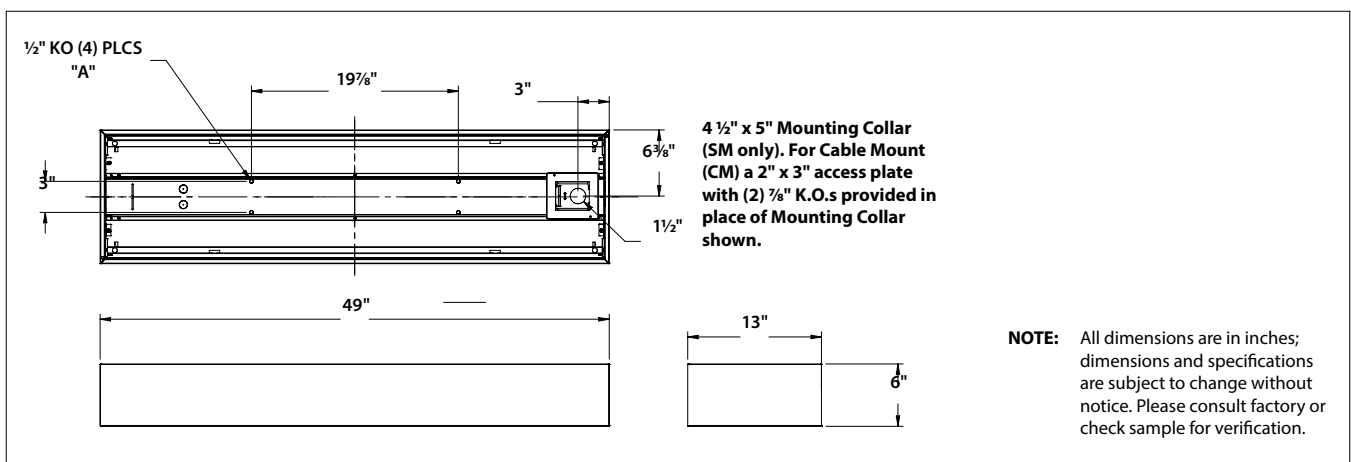


For flanged fixtures in row configurations, the FKCR adapter bracket kit is required in addition to the FK14 kit. Order one less FKCR than the total number of fixtures in row. (Example: Row of two, order (2) FK14 & (1) FKCR)

Row cut out dimensions using FK14s & FKCR adapters:
Width 12 3/8", Length [48" x (# in row)] + 3/8".
Example: (48" x 2) + 3/8" = 96 3/8"

Flange kit cut out dimension for single unit only: 12 3/8" x 48 3/8"

DIMENSIONAL DATA - SURFACE MOUNT



NOTE: All dimensions are in inches; dimensions and specifications are subject to change without notice. Please consult factory or check sample for verification.

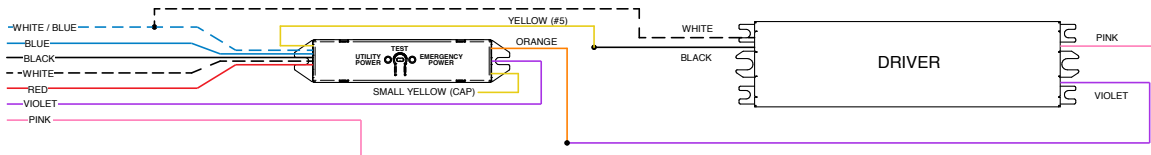
SURFACE MOUNT

Order SM ceiling type. Mounting collar required for surface mounting. (4) Mounting knock outs, 1/4" to 1/2" provided as shown, marked "A".

CABLE MOUNT

Order CM ceiling type. Access plate supplied for cable mounting or suspension. Use CM48Y1C3F-KIT 48" cable mount kit. Includes 3-wire feed cord. For other wiring needs, contact your representative. Mounting knock-outs, 1/4" to 1/2", provided as shown, marked "A".

DTS WIRING DIAGRAM (0-10V DIMMING DRIVER SHOWN)



WHITE/BLUE	Emergency Neutral
BLUE	Emergency Line
BLACK	Utility Line (Unswitched Hot)
WHITE	Utility Neutral
RED	Switched Hot
VIOLET	Dimming
PINK	Dimming