

# LSTE22

2'X2' STRAUS® LED ARCHITECTURAL RECESSED

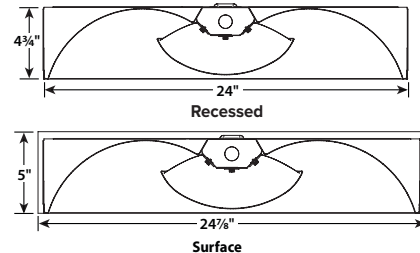
DATE: \_\_\_\_\_ LOCATION: \_\_\_\_\_

TYPE: \_\_\_\_\_ PROJECT: \_\_\_\_\_

CATALOG #: \_\_\_\_\_

## FEATURES

- Direct/indirect luminaire with popular metal perforated basket shielding
- LED modules and electrical accessible from below
- Precision optical design produces high efficiency in a high visual comfort architecturally styled direct/indirect distribution
- Optimized coating process and unique paint formulation provide exceptional reflectivity in a matte finish for a soft visual image and balanced basket and reflector illumination
- Completely recessed, provides a clean ceiling with uniform illumination at mounting heights as low as 8 feet
- QR code traceability
- Compatible with Dual-Lite inverters



## SPECIFICATIONS

### CONSTRUCTION

- Luminaire housing and end caps are die formed code gauge cold rolled steel
- The sturdy reflector is stiffened with linear forms, profiled to a precision curve
- Basket and all reflective surfaces are finished after fabrication with unique formula high reflectivity matte white paint for soft, uniform indirect illumination
- Basket hinges down for easy access to center wireway

### OPTICS

- Perforated basket with high transmission overlay for improved optical efficiency plus lamp obscuration
- Thermoplastic light traps snap into the housing at both ends of the basket to prevent light leaks

### INSTALLATION

- An access plate is furnished with each luminaire for fast wiring access without the necessity to open the fixture or wireway
- Luminaire fits recessed exposed Grid ceilings (G); four integral NEC compliant T-bar clips are standard
- Can be placed in Slot Grid (SG) style ceiling with regress 3/8" above ceiling plane

### INSTALLATION (CONTINUED)

- A Flange Kit (FK) accessory is available for recessed hard ceiling applications
- Surface Mount (SM) option allows placement below ceiling plane
- Cable Mount (CM) option allows suspension below ceiling plane

### ELECTRICAL

- 60,000 hour LEDs at L80 for reduced maintenance

### CERTIFICATIONS

- IC label is standard for recessed products. IC label is void on VL if product is installed on site with through wiring
- All luminaires are built to UL 1598 and 2108 standards, and bear appropriate cCSAus labels
- CSA certified to UL 924 standards with battery pack or DTS (Dimming Bypass Module) options
- Damp Location label standard
- Emergency-equipped fixtures are Dry Location unless specified

### CERTIFICATIONS (CONTINUED)

- Adheres to LM79, LM80, and TM21 industry standards
- The DTS, Dimming Bypass Module, is for emergency circuit control loads including sensors and wireless systems CSA certified to UL 924. See page 4 for wiring diagram.
- This product qualifies as both (i) a "domestic construction material" per FAR §52.225-9 Buy American-Construction Materials and a "(COTS) item" per FAR §2.101 and (ii) a "designated country construction material" per FAR 52.225-11 Buy American-Construction Materials under Trade Agreements effective 06/01/2020.

### WARRANTY

- 5 year warranty

KEY DATA	
Lumen Range	1575–4700
Wattage Range	18–52
Efficacy Range (LPW)	81–96
Reported Life (Hours)	L80/60,000

# LSTE22

2'X2' STRAUS® LED ARCHITECTURAL RECESSED

DATE: \_\_\_\_\_ LOCATION: \_\_\_\_\_

TYPE: \_\_\_\_\_ PROJECT: \_\_\_\_\_

CATALOG #: \_\_\_\_\_

## ORDERING GUIDE

Example: LSTE22-35HLG-MPO-ESDU

CATALOG #

LSTE22				MPO			
Model	Color Temp	Delivered Lumens	Ceiling Type	Shielding	Driver	Voltage	
LSTE22 Stratus® LED Recessed Architectural	30 3000K	VW 1575-1700	G Grid Lay-in <sup>1</sup>	MPO Metal Perf w/Overlay	E Fixed Output	U 120-277V	
	35 3500K	MW 1925-2075	SM Surface Mount		ED 0-10V Dimming	347 347V	
	40 4000K	LW 2475-2700	CM Cable Mount		ED1 0-10V 1% Dimming		
	50 5000K	ML 3325-3625	CM Cable Mount <sup>2</sup>		ESD Step Dimming <sup>3</sup>		
		HL 3500-3800			LUTH Hi-lume 1% EcoSystem LED driver with Soft-on, Fade-to-Black dimming technology <sup>3,4</sup>		
	VL 4175-4700						
	See Product Availability Table on next page.						

Options	
ELL14	Emergency Battery Pack Installed, 1400 Lumens <sup>3,4</sup>
DTS	Dimming Bypass Module <sup>5</sup>
C388	3-Wire Flex
C488	4-Wire Flex
C588	5-Wire Flex
GLR	Fast Blow Fuse
CP	Chicago Plenum
EOR	End of Row (SM and CM only. Provides end wiring access for continuous row mounting.)
INT	Intermediate (SM and CM only. Provides ends with wiring access for continuous row mounting.)
AM	Antimicrobial® Paint

Accessories	
<input type="checkbox"/> FK22	2' x 2' Single Flange Kit (Shipped separately)
<input type="checkbox"/> CM48Y2SC3F-KIT	48" Cable Mount Kit for 2' wide Cable Mount fixtures, 3 Wire

Notes:

- 1 For drywall, order G with Flange Kit Accessory.
  - 2 Order hanger accessories separately
  - 3 Not available in 347V
  - 4 For compatibility with Dual-Lite LiteGear® inverters, contact lighting representative
  - 5 For emergency circuit control loads including sensors and wireless systems CSA certified to UL 924. Only available with 0-10V drivers. Universal voltage only. See page 4 for wiring diagram
- For questions about configuration options, contact lighting representative

## PRODUCT EXCEPTIONS & DETAILS

Options listed below are available for the outputs as shown.

	VW	MW	LW	ML	HL	VL
E	X	X	X	X	X	X
ED	X	X	X	X	X	X
ED1	X	X	X	X	X	X
ESD			X	X	X	
LUTH	X	X	X	X		

LUTH not available in 347V

Output	Lumens	Watts	LPW
VW	1575-1700	18	88-96
MW	1925-2075	22	88-95
LW	2475-2700	29	86-93
ML	3325-3625	40	83-91
HL	3500-3800	42	84-91
VL	4175-4700	52	81-90

Nominal lumen range represents 3000K through 5000K. Lumens vary according to color temperatures and other factors. See specific photometric test(s).

# LSTE22

2'X2' STRAUS® LED ARCHITECTURAL RECESSED

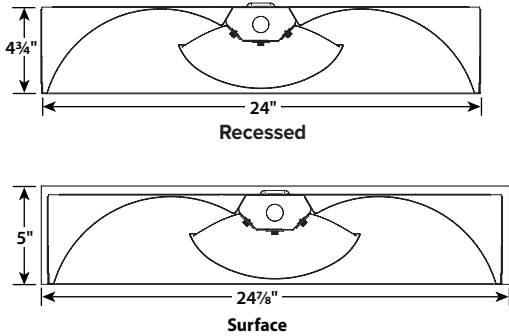
DATE: \_\_\_\_\_ LOCATION: \_\_\_\_\_

TYPE: \_\_\_\_\_ PROJECT: \_\_\_\_\_

CATALOG #: \_\_\_\_\_

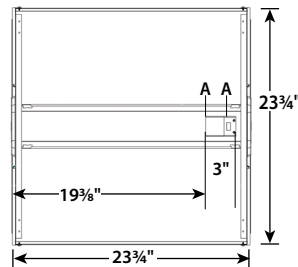
## DIMENSIONS

### GRID

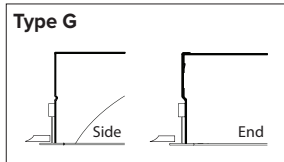


### Top View

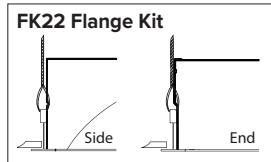
Surface K.O. Dimensions  
A: 2" x 3" Access with (2) 7/8" Mount Supply Knockouts



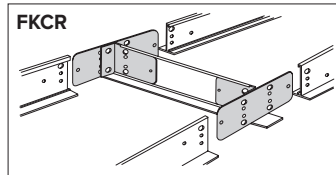
## CEILING COMPATIBILITY



For lay-in installation in exposed grid ceilings. Maximum tee widths of 1" and maximum tee heights of 1 1/2" allowed.



For hard ceiling applications, order FK22 flange kit. Flange kit wires directly into concealed ceiling opening for a clean, finished appearance.

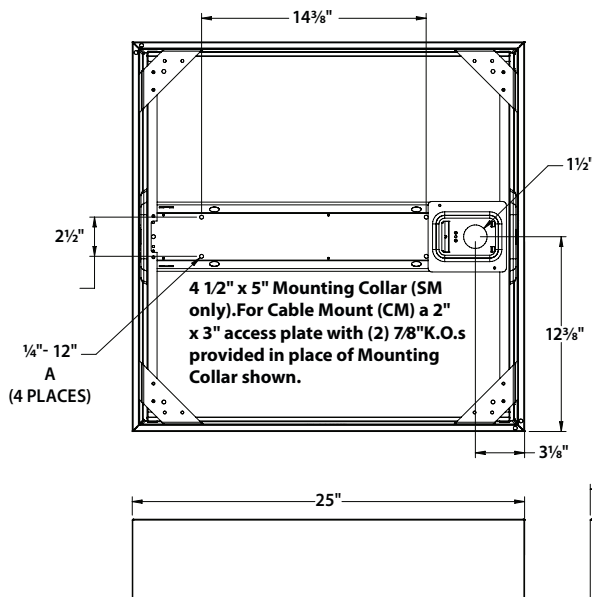


For flanged fixtures in row configurations, the FKCR adapter bracket kit is required in addition to the FK22 kit. Order one less FKCR than the total number of fixtures in row. (Example: Row of two, order (2) FK22 & (1) FKCR)

Row cut out dimensions using FK22s & FKCR adapters:  
Width 24 3/8", Length [24" x (# in row)] + 3/8".  
Example: (24" x 2) + 3/8" = 48 3/8"

**Flange kit cut out dimension for single unit only: 24 3/8" x 24 3/8"**

## SURFACE OR CABLE MOUNT



(4) 1/4" x 1/2" K.O. Mounting Locations, "A"

### Surface Mount note:

Order SM ceiling type. Mounting collar required for surface mounting. (4) Mounting knock outs, 1/4" to 1/2" provided as shown, marked "A".

### Cable Mount note:

Order CM ceiling type. Access plate supplied for cable mounting or suspension. Use CM48Y2C3F-KIT 48" cable mount kit. Includes 3 wire feed cord. For other wiring needs, contact lighting representative.

NOTE: All dimensions are in inches; dimensions and specifications are subject to change without notice. Please consult factory or check sample for verification.

# LSTE22

2'X2' STRAUS® LED ARCHITECTURAL RECESSED

DATE: \_\_\_\_\_ LOCATION: \_\_\_\_\_

TYPE: \_\_\_\_\_ PROJECT: \_\_\_\_\_

CATALOG #: \_\_\_\_\_

## PHOTOMETRY

### LSTE22-35LWG-MPO-EDU

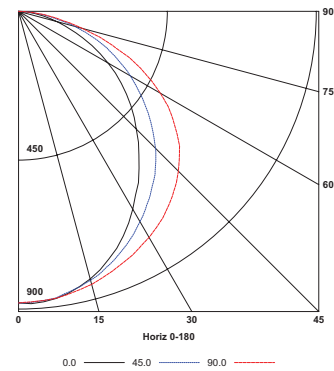
#### LUMINAIRE DATA

Test No.	16059
Description	LSTE Stratus E-Series LED, Recessed Architectural 2x2 with Perforated Basket and Overlay
Delivered Lumens	2535
Watts	29.30
Efficacy	87
Mounting	Recessed
Spacing Criterion	0° = 1.17 90° = 1.34

#### ZONAL LUMEN SUMMARY

Zone	Lumens	% Luminaire
0-30	680	26.8
0-40	1113	43.9
0-60	1985	78.3
0-90	2535	100.0
0-180	2535	100.0

#### POLAR GRAPH



### LSTE22-35MLG-MPO-EDU

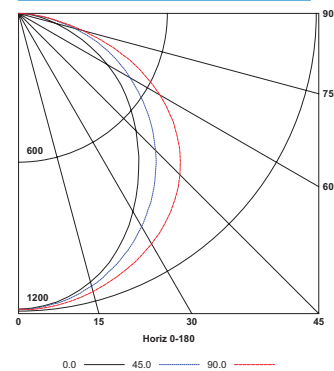
#### LUMINAIRE DATA

Test No.	16060
Description	LSTE Stratus E-Series LED, Recessed Architectural 2x2 with Perforated Basket and Overlay
Delivered Lumens	3395
Watts	39.90
Efficacy	85
Mounting	Recessed
Spacing Criterion	0° = 1.15 90° = 1.34

#### ZONAL LUMEN SUMMARY

Zone	Lumens	% Luminaire
0-30	918	27.1
0-40	1501	44.2
0-60	2665	78.5
0-90	3395	100.0
0-180	3395	100.0

#### POLAR GRAPH



### LSTE22-35HLG-MPO-EDU

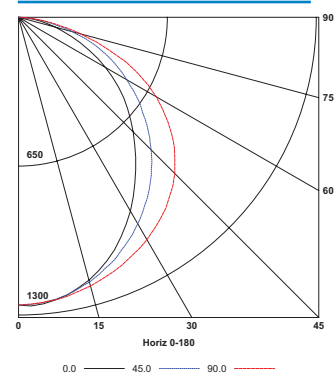
#### LUMINAIRE DATA

Test No.	16061
Description	LSTE Stratus E-Series LED, Recessed Architectural 2x2 with Perforated Basket and Overlay
Delivered Lumens	3567
Watts	41.70
Efficacy	86
Mounting	Recessed
Spacing Criterion	0° = 1.16 90° = 1.33

#### ZONAL LUMEN SUMMARY

Zone	Lumens	% Luminaire
0-30	966	27.1
0-40	1578	44.2
0-60	2800	78.5
0-90	3567	100.0
0-180	3567	100.0

#### POLAR GRAPH



## ADDITIONAL INFORMATION

### DTS WIRING DIAGRAM (0-10V DIMMING DRIVER SHOWN)

