

DATE:	LOCATION:
TYPE:	PROJECT:
CATALOG #:	

**FEATURES**

- Wide-body enclosed and gasketed 4' high bay
- IP65, IP66 and IP67 rated
- 1500 PSI High Pressure Hose down rating
- Fiberglass housing with F1 weatherability rating, standard
- UL Sanitation Certified per NSF Standards
- Stainless steel latching and mounting straps optional
- V-Hook mounting brackets included standard
- -40°C up to +50°C ambient operation; see table provided for details
- IK10 rated when ordered with polycarbonate lens



**SPECIFICATIONS**

**CONSTRUCTION**

- Fiberglass reinforced housing and tough injection molded lens
- Hinged driver tray for easy maintenance
- Removable gear tray electrical access
- Industrial fixture design allows for easy cleaning reduces dirt and water accumulation
- 12 captive polyacetal (POM) latches and 4 fixed installation points secures the fixture during transit and allows for fast installation
- Housing has chemical resistant finish
- Internal steel surfaces are painted with high gloss baked white enamel, applied over iron phosphate pre-treatment for maximum adhesion and rust resistance
- Stainless steel parts have fine brushed mill finish
- Lens firmly secured with tamper resistance ready latches

**OPTICS**

- Specular reflector provides precise control and excellent efficiency for narrow distribution
- Wide distribution uses high gloss white gear tray

**INSTALLATION**

- Use flexible conduit only

**ELECTRICAL**

- Long-life LEDs are rated for 60,000 hours at L80 lumen maintenance (see table for details)
- QR code label affixed to housing for easy traceability
- Drivers include minimum 6kV surge protection

**CERTIFICATIONS**

- All luminaires are built to UL 1598 and 2108 wet location standards and have IP65/IP66/IP67 hose down ratings, and bear appropriate cCSAus labels
- CSA certified to UL 924 standards with battery pack or DTS (Dimming Bypass Module) options
- Housing and lens are made with 5VA (f1) fire rated materials
- Wet Location label standard
- UL Sanitation certified to NSF standards

**CERTIFICATIONS (CONTINUED)**

- The DTS, Dimming Bypass Module, is for emergency circuit control loads including sensors and wireless systems CSA certified to UL 924. See page 7 for wiring diagram.
- This product qualifies as a “designated country construction material” per FAR 52.225-11 Buy American-Construction Materials under Trade Agreements effective 06/01/2020.

**WARRANTY**

- 5 year warranty

KEY DATA	
Lumen Range	11,079–38,228
Wattage Range	91–329
Efficacy Range (LPW)	105–137
Reported Life (Hours)	L80/60,000

**ORDERING GUIDE**

**Example:** LXEW4-35HL-RFA-EDU

CATALOG # \_\_\_\_\_

LXEW	4						
Model	Size	Color Temp	Delivered Lumens	Lens	Distribution	Driver	Voltage
LXEW Industrial Enclosed & Gasketed LED High Bay	4 4'	30 3000K 35 3500K 40 4000K 50 5000K	L 11,000 M 15,000 MH 17,000 H 21,000 HV 23,000 V 30,000 X 36,000	FA Frost Impact Resistant Acrylic (std.) CA Clear Impact Resistant Acrylic CP Clear UV Stabilized Polycarbonate	N Narrow Distribution W Wide Distribution	E Fixed Output ED 0-10V Dimming	U 120-277V 347 347V <sup>1</sup> 480 480V <sup>1</sup>

Options	
ELL14	Emergency Battery Pack Installed, 1400 Lumens <sup>2,3</sup>
GLR	Fast Blow Fuse <sup>2</sup>
OCM	Microwave Occupancy Sensor <sup>2</sup>
DTS	Dimming Bypass Module <sup>2,3,4</sup>
SSL	Stainless Steel Tamper Resistant Ready Latches
TP	Tamper Proof Latches
F3C8W	3-Wire 8' Wet Cord
F3C15W	3-Wire 15' Wet Cord
F4C8W	4-Wire 8' Wet Cord
F4C15W	4-Wire 15' Wet Cord
F5C8W	5-Wire 8' Wet Cord
F5C15W	5-Wire 15' Wet Cord
F6C6W	6-Wire 6' Wet Cord
SWH	Single Wet Hub ½" NPT Hub
DWH	Dual Wet Hub ½" NPT Hub

**Accessories**

- LHVQM5 Aircraft Cable, 5' (Pair)
- LHVQM10 Aircraft Cable, 10' (Pair)
- XEWMHSS Mounting Strap Hardware Kit, Stainless Steel, includes 4
- XEWRBZN Rigid Surface Mounting Bracket Kit, Zinc Plated, includes 2
- XEWRBSS Rigid Surface Mounting Bracket Kit, Stainless Steel, includes 2
- XEWFSBSS Surface Mounting Bracket Kit, Stainless Steel, includes 2

Notes:

- 1 Not available with V and X packages
- 2 Not available with 347V/480V
- 3 Not available with HV, V, X lumen packages. Battery certified to 0°C
- 4 For emergency circuit control loads including sensors and wireless systems listed to UL 924. Only available with 0-10V drivers. See page 7 for wiring diagram

**PRODUCT EXCEPTIONS & DETAILS**

PERFORMANCE DATA BY LUMEN PACKAGE				
Length	Output	Nominal Lumen Range	Watts	Lumens Per Watt
4'	L	11,079–12,495	91	122–137
	M	14,926–16,539	122	123–136
	MH	16,580–18,689	138	121–136
	H	20,051–22,321	178	113–129
	HV	22,756–25,651	188	121–136
	V	29,040–32,557	260	112–126
	X	34,635–38,228	329	105–116

MAX AMBIENT OPERATING TEMP.						
Length	Output	Nominal Lumen Range	Max Ambient Operating Temperature (C°) (Universal Voltage)	ELL14 (with Universal Voltage)	347v/480v	ELL14 (with 347v/480v)
4'	L	11,079–12,495	45	45	35	N/A
	M	14,926–16,539	45	45	35	N/A
	MH	16,580–18,689	45	35	35	N/A
	H	20,051–22,321	35	25	35	N/A
	HV	22,756–25,651	30	N/A	35	N/A
	V	29,040–32,557	30	N/A	N/A	N/A
	X	34,635–38,228	25	N/A	N/A	N/A

MAX AMBIENT OPERATING TEMP.							
Calculated Hours	Length	Output	Nominal Lumen Range	Ambient Operating Temperature (C°)	L70	L80	L90
		4'	L	11,079–12,495	25	170,000	101,000
45					243,000	150,000	68,000
M			14,926–16,539	25	170,000	101,000	41,000
				45	243,000	150,000	68,000
MH			16,580–18,689	25	170,000	101,000	41,000
				45	243,000	150,000	68,000
H			20,051–22,321	25	170,000	101,000	41,000
				35	249,000	154,000	70,000
HV			22,756–25,651	25	170,000	101,000	41,000
				30	170,000	101,000	41,000
V			29,040–32,557	25	170,000	101,000	41,000
				30	170,000	101,000	41,000
X			34,635–38,228	25	170,000	101,000	41,000
				25	170,000	101,000	41,000

**DELIVERED LUMENS**

PRODUCT AVAILABILITY								
Lumen Package	Output	Color	Lens	Distribution	Lumens	Watts	LPW	
LXEW4-30L-CPN-EU	Low Watt	30K	CP	Narrow	11,079	91.2	121.5	
LXEW4-30L-FAN-EU			FA	Narrow	11,101	91	122	
LXEW4-30L-CAN-EU			CA	Narrow	11,238	91.2	123.2	
LXEW4-30L-FAW-EU			FA	Wide	11,399	91.1	125.1	
LXEW4-30L-CPW-EU			CP	Wide	11,455	91.1	125.7	
LXEW4-30L-CAW-EU			CA	Wide	11,596	91.3	127	
LXEW4-35L-CPN-EU		35K	CP	Narrow	11,457	91.2	125.6	
LXEW4-35L-FAN-EU			FA	Narrow	11,480	91	126.2	
LXEW4-35L-CAN-EU			CA	Narrow	11,622	91.2	127.4	
LXEW4-35L-FAW-EU			FA	Wide	11,788	91.1	129.4	
LXEW4-35L-CPW-EU			CP	Wide	11,846	91.1	130	
LXEW4-35L-CAW-EU			CA	Wide	11,992	91.3	131.3	
LXEW4-40L-CPN-EU		40K	CP	Narrow	11,628	91.2	127.5	
LXEW4-40L-FAN-EU			FA	Narrow	11,652	91	128	
LXEW4-40L-CAN-EU			CA	Narrow	11,796	91.2	129.3	
LXEW4-40L-FAW-EU			FA	Wide	11,965	91.1	131.3	
LXEW4-40L-CPW-EU			CP	Wide	12,024	91.1	132	
LXEW4-40L-CAW-EU			CA	Wide	12,172	91.3	133.3	
LXEW4-50L-CPN-EU		50K	CP	Narrow	11,938	91.2	130.9	
LXEW4-50L-FAN-EU			FA	Narrow	11,962	91	131.4	
LXEW4-50L-CAN-EU			CA	Narrow	12,110	91.2	132.8	
LXEW4-50L-FAW-EU			FA	Wide	12,283	91.1	134.8	
LXEW4-50L-CPW-EU			CP	Wide	12,344	91.1	135.5	
LXEW4-50L-CAW-EU			CA	Wide	12,495	91.3	136.9	
LXEW4-30M-CPN-EU		Medium Lumen	30K	30K	Narrow	14,926	121.4	123
LXEW4-30M-FAN-EU				30K	Narrow	14,937	121.4	123
LXEW4-30M-CAN-EU				30K	Narrow	15,085	121.4	124.3
LXEW4-30M-FAW-EU				30K	Wide	15,242	121.8	125.1
LXEW4-30M-CPW-EU				30K	Wide	15,286	121.9	125.4
LXEW4-30M-CAW-EU				30K	Wide	15,349	121.7	126.1
LXEW4-35M-CPN-EU	35K		35K	Narrow	15,436	121.4	127.1	
LXEW4-35M-FAN-EU			35K	Narrow	15,447	121.4	127.2	
LXEW4-35M-CAN-EU			35K	Narrow	15,600	121.4	128.5	
LXEW4-35M-FAW-EU			35K	Wide	15,762	121.8	129.4	
LXEW4-35M-CPW-EU			35K	Wide	15,807	121.9	129.7	
LXEW4-35M-CAW-EU			35K	Wide	15,873	121.7	130.4	
LXEW4-40M-CPN-EU	40K		40K	Narrow	15,667	121.4	129.1	
LXEW4-40M-FAN-EU			40K	Narrow	15,679	121.4	129.1	
LXEW4-40M-CAN-EU			40K	Narrow	15,834	121.4	130.4	
LXEW4-40M-FAW-EU			40K	Wide	15,998	121.8	131.3	
LXEW4-40M-CPW-EU			40K	Wide	16,044	121.9	131.6	
LXEW4-40M-CAW-EU			40K	Wide	16,111	121.7	132.4	
LXEW4-50M-CPN-EU	50K		50K	Narrow	16,084	121.4	132.5	
LXEW4-50M-FAN-EU			50K	Narrow	16,096	121.4	132.6	
LXEW4-50M-CAN-EU			50K	Narrow	16,255	121.4	133.9	
LXEW4-50M-FAW-EU			50K	Wide	16,424	121.8	134.8	
LXEW4-50M-CPW-EU			50K	Wide	16,471	121.9	135.1	
LXEW4-50M-CAW-EU			50K	Wide	16,539	121.7	135.9	
LXEW4-30MH-CPN-EU	Medium High Lumen		30K	CP	Narrow	16,580	137.2	120.8
LXEW4-30MH-CAN-EU				CA	Narrow	16,771	137.4	122.1
LXEW4-30MH-FAN-EU				FA	Narrow	16,843	137.2	122.8
LXEW4-30MH-FAW-EU				FA	Wide	17,008	137.3	123.9
LXEW4-30MH-CPW-EU				CP	Wide	17,101	137.3	124.6
LXEW4-30MH-CAW-EU				CA	Wide	17,344	137.5	126.1
LXEW4-35MH-CPN-EU		35K	CP	Narrow	17,146	137.2	125	
LXEW4-35MH-CAN-EU			CA	Narrow	17,343	137.4	126.2	
LXEW4-35MH-FAN-EU			FA	Narrow	17,418	137.2	127	
LXEW4-35MH-FAW-EU			FA	Wide	17,589	137.3	128.1	
LXEW4-35MH-CPW-EU			CP	Wide	17,684	137.3	128.8	
LXEW4-35MH-CAW-EU			CA	Wide	17,936	137.5	130.4	
LXEW4-40MH-CPN-EU		40K	CP	Narrow	17,403	137.2	126.8	
LXEW4-40MH-CAN-EU			CA	Narrow	17,603	137.4	128.1	
LXEW4-40MH-FAN-EU			FA	Narrow	17,679	137.2	128.9	
LXEW4-40MH-FAW-EU			FA	Wide	17,852	137.3	130	
LXEW4-40MH-CPW-EU			CP	Wide	17,950	137.3	130.7	
LXEW4-40MH-CAW-EU			CA	Wide	18,205	137.5	132.4	
LXEW4-50MH-CPN-EU		50K	CP	Narrow	17,866	137.2	130.2	
LXEW4-50MH-CAN-EU			CA	Narrow	18,072	137.4	131.5	
LXEW4-50MH-FAN-EU			FA	Narrow	18,149	137.2	132.3	
LXEW4-50MH-FAW-EU			FA	Wide	18,327	137.3	133.5	
LXEW4-50MH-CPW-EU			CP	Wide	18,427	137.3	134.2	
LXEW4-50MH-CAW-EU			CA	Wide	18,689	137.5	135.9	

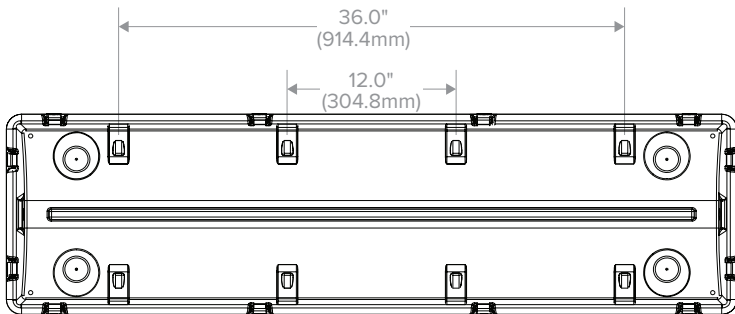
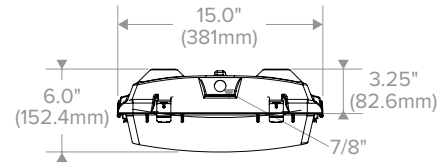
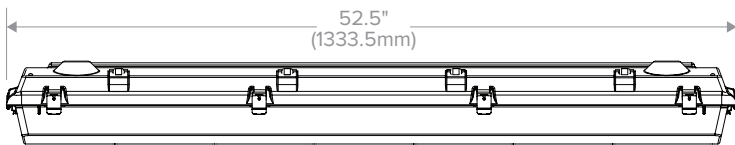
**DELIVERED LUMENS (CONTINUED)**

PRODUCT AVAILABILITY									
Lumen Package	Output	Color	Lens	Distribution	Lumens	Watts	LPW		
LXEW4-30H-CPN-EU	High Lumen	30K	CP	Narrow	20,051	173.3	115.7		
LXEW4-30H-FAN-EU			FA	Narrow	20,053	178.1	112.6		
LXEW4-30H-CAN-EU			CA	Narrow	20,257	173.2	117		
LXEW4-30H-FAW-EU			FA	Wide	20,433	173.4	117.8		
LXEW4-30H-CPW-EU			CP	Wide	20,531	173.6	118.3		
LXEW4-30H-CAW-EU			CA	Wide	20,714	173.5	119.4		
LXEW4-35H-CPN-EU			35K	CP	Narrow	20,736	173.3	119.7	
LXEW4-35H-FAN-EU				FA	Narrow	20,738	178.1	116.4	
LXEW4-35H-CAN-EU				CA	Narrow	20,948	173.2	120.9	
LXEW4-35H-FAW-EU				FA	Wide	21,130	173.4	121.9	
LXEW4-35H-CPW-EU				CP	Wide	21,232	173.6	122.3	
LXEW4-35H-CAW-EU				CA	Wide	21,421	173.5	123.5	
LXEW4-40H-CPN-EU		40K		CP	Narrow	21,047	173.3	121.4	
LXEW4-40H-FAN-EU				FA	Narrow	21,049	178.1	118.2	
LXEW4-40H-CAN-EU				CA	Narrow	21,262	173.2	122.8	
LXEW4-40H-FAW-EU				FA	Wide	21,447	173.4	123.7	
LXEW4-40H-CPW-EU				CP	Wide	21,550	173.6	124.1	
LXEW4-40H-CAW-EU				CA	Wide	21,742	173.5	125.3	
LXEW4-50H-CPN-EU			50K	CP	Narrow	21,607	173.3	124.7	
LXEW4-50H-FAN-EU				FA	Narrow	21,609	178.1	121.3	
LXEW4-50H-CAN-EU				CA	Narrow	21,828	173.2	126	
LXEW4-50H-FAW-EU				FA	Wide	22,018	173.4	127	
LXEW4-50H-CPW-EU				CP	Wide	22,124	173.6	127.4	
LXEW4-50H-CAW-EU				CA	Wide	22,321	173.5	128.6	
LXEW4-30HV-CPN-EU		High Very High Lumen		30K	CP	Narrow	22,756	187.9	121.1
LXEW4-30HV-FAN-EU					FA	Narrow	22,796	187.9	121.3
LXEW4-30HV-CAN-EU					CA	Narrow	22,958	187.9	122.2
LXEW4-30HV-FAW-EU					FA	Wide	23,489	188.3	124.7
LXEW4-30HV-CPW-EU					CP	Wide	23,608	188.3	125.4
LXEW4-30HV-CAW-EU					CA	Wide	23,805	188.4	126.4
LXEW4-35HV-CPN-EU			35K		CP	Narrow	23,533	187.9	125.2
LXEW4-35HV-FAN-EU					FA	Narrow	23,574	187.9	125.5
LXEW4-35HV-CAN-EU					CA	Narrow	23,741	187.9	126.3
LXEW4-35HV-FAW-EU					FA	Wide	24,290	188.3	129
LXEW4-35HV-CPW-EU					CP	Wide	24,414	188.3	129.7
LXEW4-35HV-CAW-EU					CA	Wide	24,617	188.4	130.7
LXEW4-40HV-CPN-EU				40K	CP	Narrow	23,886	187.9	127.1
LXEW4-40HV-FAN-EU					FA	Narrow	23,927	187.9	127.3
LXEW4-40HV-CAN-EU					CA	Narrow	24,097	187.9	128.2
LXEW4-40HV-FAW-EU					FA	Wide	24,655	188.3	130.9
LXEW4-40HV-CPW-EU					CP	Wide	24,780	188.3	131.6
LXEW4-40HV-CAW-EU					CA	Wide	24,986	188.4	132.6
LXEW4-50HV-CPN-EU			50K		CP	Narrow	24,521	187.9	130.5
LXEW4-50HV-FAN-EU					FA	Narrow	24,564	187.9	130.7
LXEW4-50HV-CAN-EU					CA	Narrow	24,738	187.9	131.7
LXEW4-50HV-FAW-EU					FA	Wide	25,311	188.3	134.4
LXEW4-50HV-CPW-EU					CP	Wide	25,439	188.3	135.1
LXEW4-50HV-CAW-EU					CA	Wide	25,651	188.4	136.2
LXEW4-30V-CPN-EU	Very High Lumen			30K	CP	Narrow	29,040	259.1	112.1
LXEW4-30V-FAN-EU					FA	Narrow	29,114	259	112.4
LXEW4-30V-CAN-EU					CA	Narrow	29,317	258.3	113.5
LXEW4-30V-FAW-EU					FA	Wide	29,811	259.1	115.1
LXEW4-30V-CPW-EU					CP	Wide	30,051	259.1	116
LXEW4-30V-CAW-EU					CA	Wide	30,214	259.5	116.4
LXEW4-35V-CPN-EU			35K		CP	Narrow	30,031	259.1	115.9
LXEW4-35V-FAN-EU					FA	Narrow	30,107	259	116.2
LXEW4-35V-CAN-EU					CA	Narrow	30,318	258.3	117.4
LXEW4-35V-FAW-EU					FA	Wide	30,828	259.1	119
LXEW4-35V-CPW-EU					CP	Wide	31,077	259.1	119.9
LXEW4-35V-CAW-EU					CA	Wide	31,245	259.5	120.4
LXEW4-40V-CPN-EU				40K	CP	Narrow	30,482	259.1	117.6
LXEW4-40V-FAN-EU					FA	Narrow	30,559	259	118
LXEW4-40V-CAN-EU					CA	Narrow	30,773	258.3	119.1
LXEW4-40V-FAW-EU					FA	Wide	31,290	259.1	120.8
LXEW4-40V-CPW-EU					CP	Wide	31,543	259.1	121.7
LXEW4-40V-CAW-EU					CA	Wide	31,714	259.5	122.2
LXEW4-50V-CPN-EU			50K		CP	Narrow	31,293	259.1	120.8
LXEW4-50V-FAN-EU					FA	Narrow	31,372	259	121.1
LXEW4-50V-CAN-EU					CA	Narrow	31,591	258.3	122.3
LXEW4-50V-FAW-EU					FA	Wide	32,123	259.1	124
LXEW4-50V-CPW-EU					CP	Wide	32,382	259.1	125
LXEW4-50V-CAW-EU					CA	Wide	32,557	259.5	125.5

**DELIVERED LUMENS (CONTINUED)**

PRODUCT AVAILABILITY							
Lumen Package	Output	Color	Lens	Distribution	Lumens	Watts	LPW
LXEW4-30X-FAN-EU	Extra High Lumen	30K	FA	Narrow	34,635	3291	105.2
LXEW4-30X-FAW-EU			FA	Wide	35,172	3279	107.3
LXEW4-30X-CAW-EU			CA	Wide	35,357	3277	107.9
LXEW4-30X-CPW-EU			CP	Wide	35,443	3281	108
LXEW4-30X-CAN-EU			CA	Narrow	35,477	3294	107.7
LXEW4-35X-FAN-EU			35K	FA	Narrow	35,817	3291
LXEW4-35X-FAW-EU		FA		Wide	36,372	3279	110.9
LXEW4-35X-CAW-EU		CA		Wide	36,563	3277	111.6
LXEW4-35X-CPW-EU		CP		Wide	36,652	3281	111.7
LXEW4-35X-CAN-EU		CA		Narrow	36,687	3294	111.4
LXEW4-40X-FAN-EU		40K		FA	Narrow	36,354	3291
LXEW4-40X-FAW-EU			FA	Wide	36,918	3279	112.6
LXEW4-40X-CAW-EU			CA	Wide	37,112	3277	113.2
LXEW4-40X-CPW-EU			CP	Wide	37,202	3281	113.4
LXEW4-40X-CAN-EU			CA	Narrow	37,238	3294	111.4
LXEW4-50X-FAN-EU			50K	FA	Narrow	37,321	3291
LXEW4-50X-FAW-EU		FA		Wide	37,900	3279	115.6
LXEW4-50X-CAW-EU		CA		Wide	38,099	3277	116.3
LXEW4-50X-CPW-EU		CP		Wide	38,191	3281	116.4
LXEW4-50X-CAN-EU		CA		Narrow	38,228	3294	116.1

**DIMENSIONS**



**NOTE:** All dimensions are in inches; dimensions and specifications are subject to change without notice. Please consult factory or check sample for verification.

**PHOTOMETRY**

**LXEW4-40M-CAW-EU**

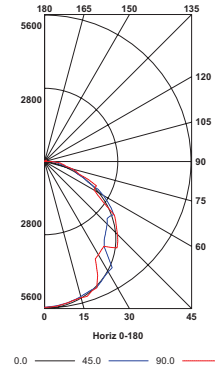
**LUMINAIRE DATA**

Test No.	18542
Description	LXEW LED Enclosed and Gasketed, Extreme Environment 15" x 52" LED with clear acrylic lens
Delivered Lumens	16111
Watts	121.70
Efficacy	132
Mounting	Surface
Spacing Criterion	0° = 1.28 90° = 1.08

**ZONAL LUMEN SUMMARY**

Zone	Lumens	% Luminaire
0-30	4344	27
0-40	7013	43.5
0-60	12512	77.7
0-90	15855	98.4
0-180	16111	100

**POLAR GRAPH**



**LXEW4-50H-CAW-EU**

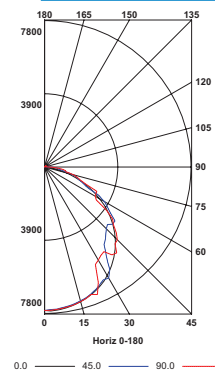
**LUMINAIRE DATA**

Test No.	18564
Description	LXEW LED Enclosed and Gasketed, Extreme Environment 15" x 52" LED with clear acrylic lens
Delivered Lumens	22321
Watts	173.50
Efficacy	129
Mounting	Surface
Spacing Criterion	0° = 1.29 90° = 1.12

**ZONAL LUMEN SUMMARY**

Zone	Lumens	% Luminaire
0-30	5983	26.8
0-40	9674	43.3
0-60	17296	77.5
0-90	21980	98.5
0-180	22321	100

**POLAR GRAPH**



**LXEW4-50V-FAN-EU**

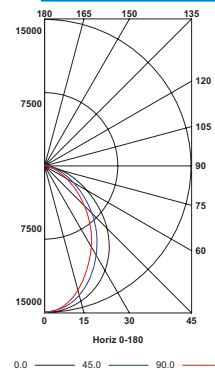
**LUMINAIRE DATA**

Test No.	18561
Description	LXEW LED Enclosed and Gasketed, Extreme Environment 15" x 52" LED with frosted acrylic lens
Delivered Lumens	31372
Watts	259.00
Efficacy	121
Mounting	Surface
Spacing Criterion	0° = 1.23 90° = 0.99

**ZONAL LUMEN SUMMARY**

Zone	Lumens	% Luminaire
0-30	10740	34.2
0-40	16751	53.4
0-60	26426	84.2
0-90	30837	98.3
0-180	31372	100

**POLAR GRAPH**



**ADDITIONAL INFORMATION**

**DTS WIRING DIAGRAM (0-10V DIMMING DRIVER SHOWN)**

